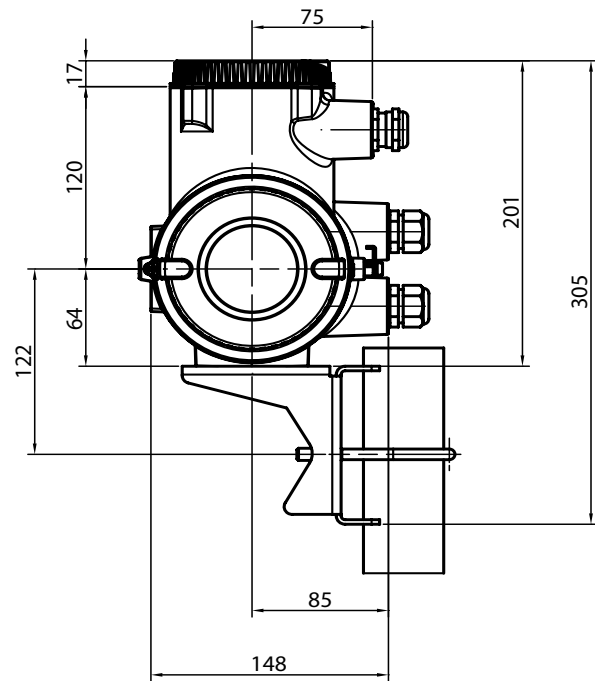
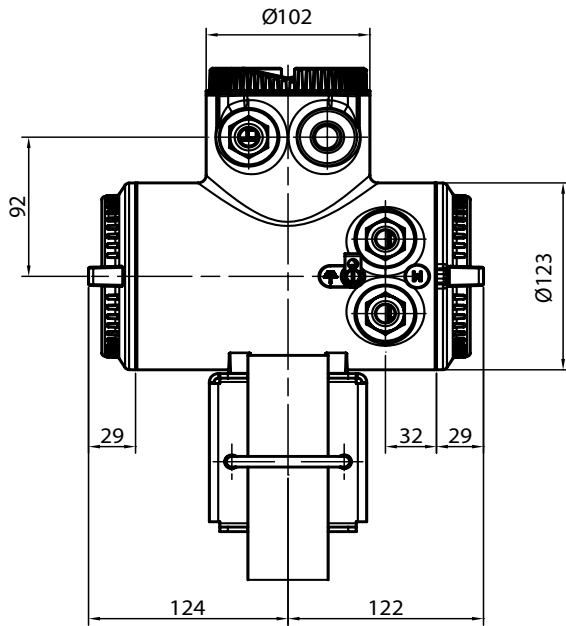


# Drawings

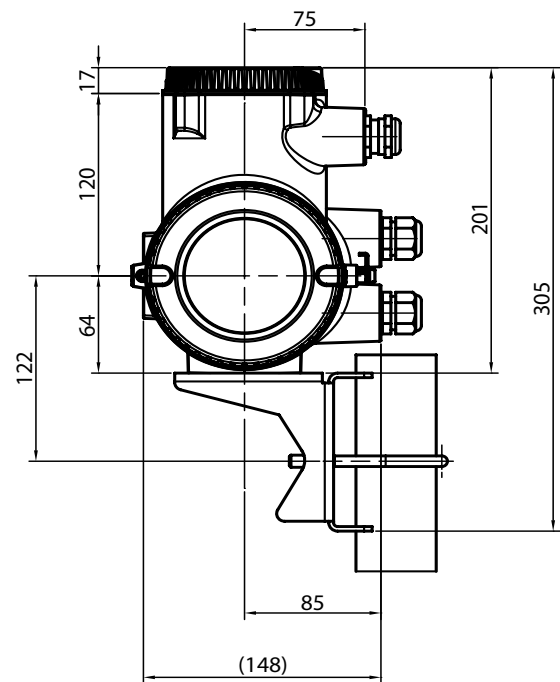
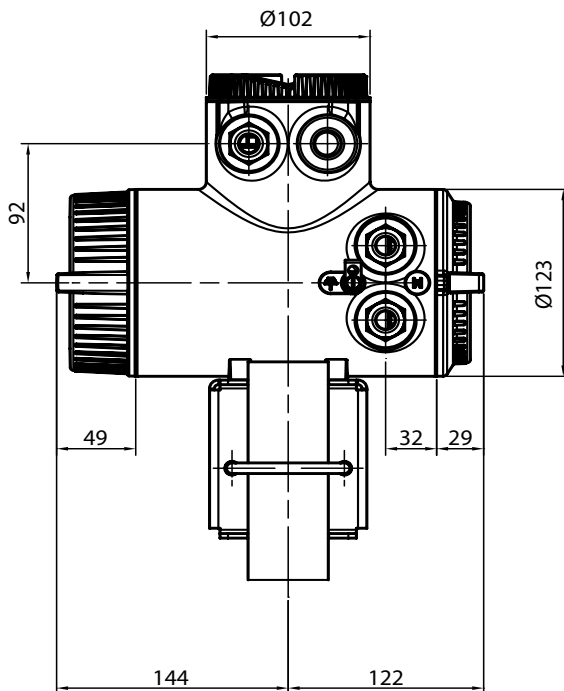
## Model RCCF31 Coriolis Flowmeter Coriolis Mass Flow and Density Meter, Field-mount Converter

ROTAMASS

Outline dimensions (unit: mm):  
Without Display



With Display



## Signal Cable Wiring:

9-wire cable

Detector RCCS3[]	Cable	Converter RCCF31
D +	1 ----- 1	D +
D -	2 ----- 2	D -
S1 +	3 ----- 3	S1 +
S1 -	4 ----- 4	S1 -
S2 +	5 ----- 5	S2 +
S2 -	6 ----- 6	S2 -
TP1	7 ----- 7	TP1
TP2	8 ----- 8	TP2
TP3	9 ----- 9	TP3
	----- shields	COM

Cable with Coax

Detector RCCS3[]	Cable	Converter RCCF31
D +	1 ----- 1	D +
D -	-----shield-----	D -
S1 +	2 ----- 2	S1 +
S1 -	-----shield-----	S1 -
S2 +	3 ----- 3	S2 +
S2 -	-----shield-----	S2 -
TP1	4 ----- 4	TP1
TP2	5 ----- 5	TP2
TP3	6 ----- 6	TP3
	----- shields	COM

## Power- and I/O- Wiring:


Power- and I/O- wiring :

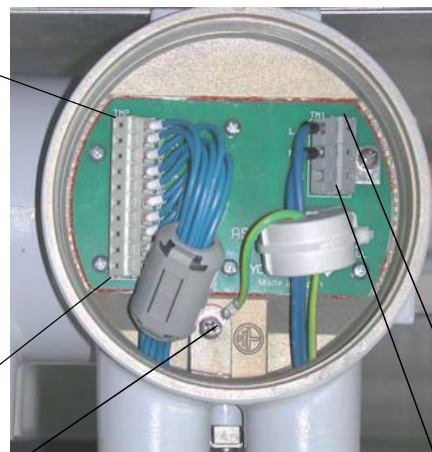
Sout-	Pulse / Status output 2 (Sout)
Sout+	
Sin-	Status input (Sin )
Sin+	
Pout-	Pulse / Status output 1 (Pout *)
Pout+	
RS485 A	lout2- Analog output 2 (lout 2 *) ***)
RS485 B	
FFout-	lout1- Analog output 1 (lout 1 *) **)
FFout+	

\*) with /□F5 intrinsic safe output

\*\*) with /FB only FFout terminals

\*\*\*) RS485 terminals for /MBx, /MB2 RS485 only

	Ground Terminal
---	-----------------



depending on model code

L/+	Power Supply DC (20.5 to 28.8VDC)	Power Supply AC (90 to 264VAC)
N/-	Power Supply DC (20.5 to 28.8VDC)	Power Supply AC (90 to 264VAC)
G		