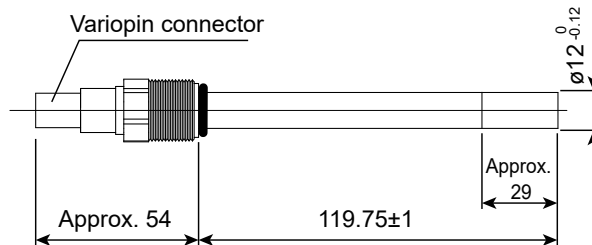


# Drawings

## Model DO70G Optical Dissolved Oxygen Sensor

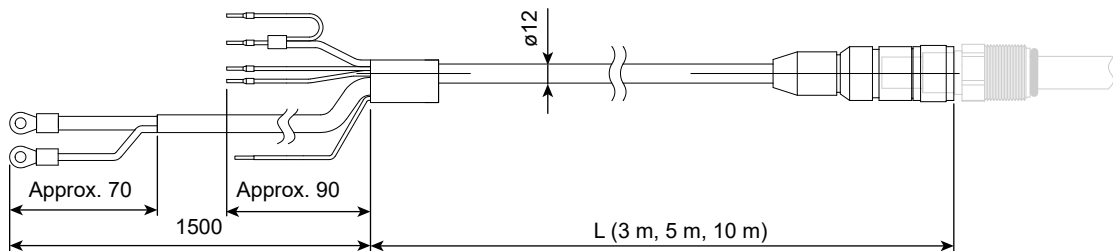
Unit: mm



Weight: Approx. 0.1 kg

• Cable for -03E, -05E, -10E

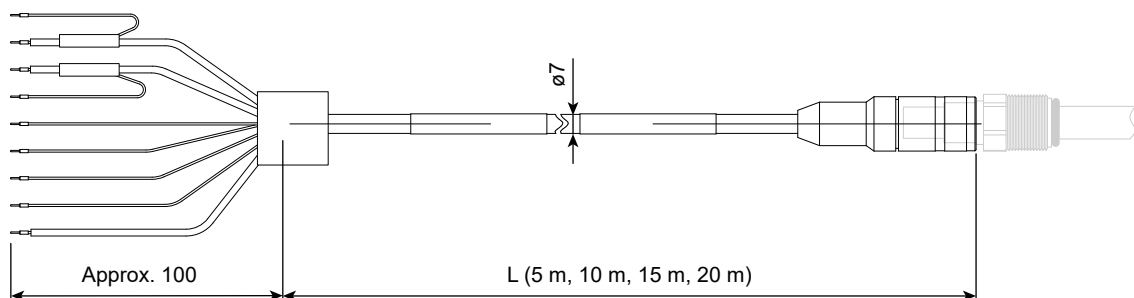
- DO70G - 120 - E - 03E-N/□□
- DO70G - 120 - E - 05E-N/□□
- DO70G - 120 - E - 10E-N/□□



Weight: Approx. 0.1 kg/m + 0.1 kg

• Cable for -05D, -10D, -15D, -20D

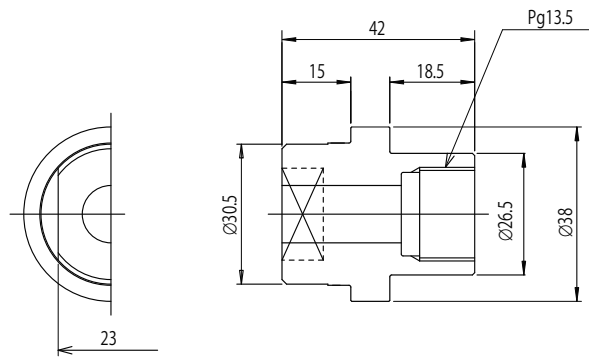
- DO70G - 120 - E - 05D-N/□□
- DO70G - 120 - E - 10D-N/□□
- DO70G - 120 - E - 15D-N/□□
- DO70G - 120 - E - 20D-N/□□



Weight: Approx. 0.8 kg/m + 0.8 kg

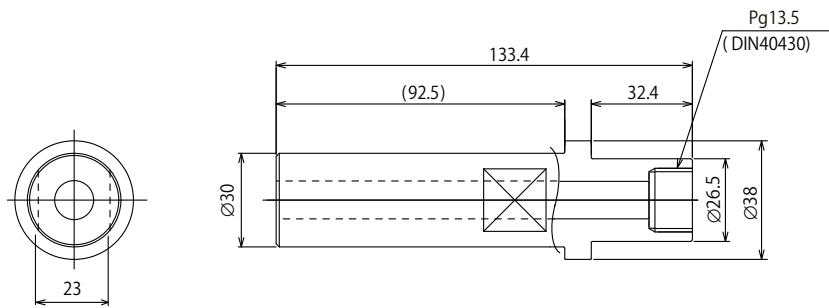
Unless otherwise specified, differences in the dimensions are specified as: General tolerance = ± (Criteria of tolerance class IT18 in JIS B0401-1986) / 2.

□ **Adaptor (/S3, /PP)**



Weight  
 /S3 : Approx. 173 g  
 /PP : Approx. 20 g

□ **Adaptor (/FPP)**

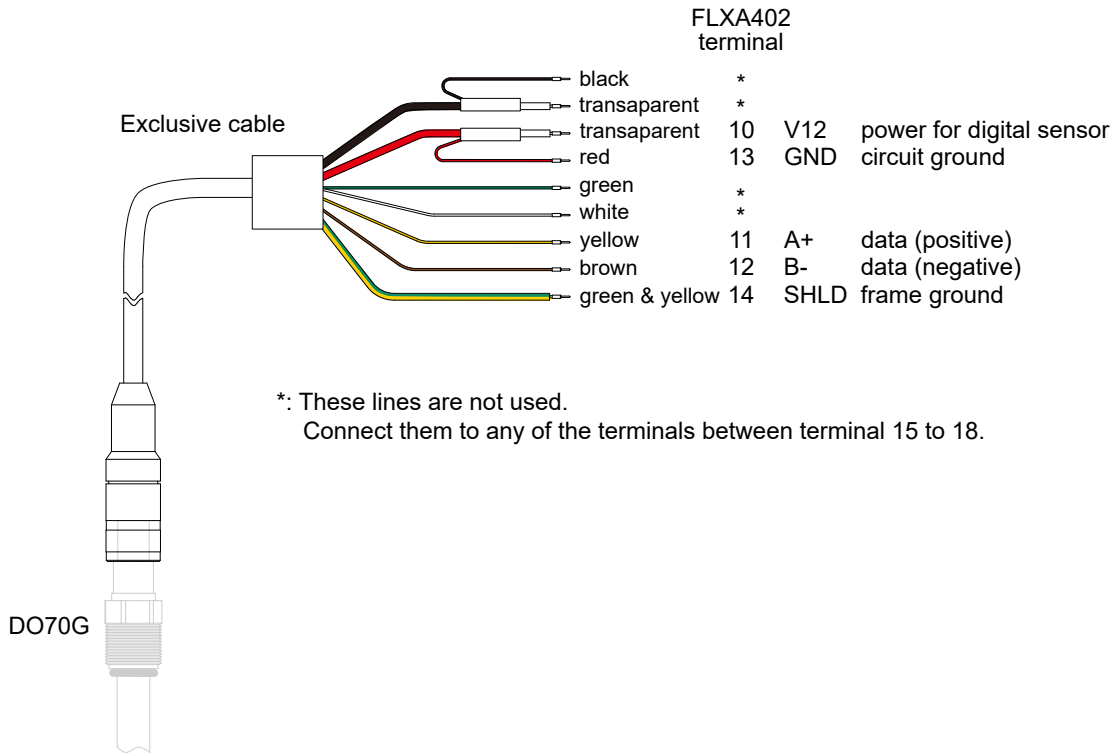


Weight: Approx. 65g

Unless otherwise specified, differences in the dimensions are specified as: General tolerance =  $\pm$  (Criteria of tolerance class IT18 in JIS B0401-1986) / 2.

# Wiring diagram

## Connecting to FLXA402



## Connecting to DO402G

