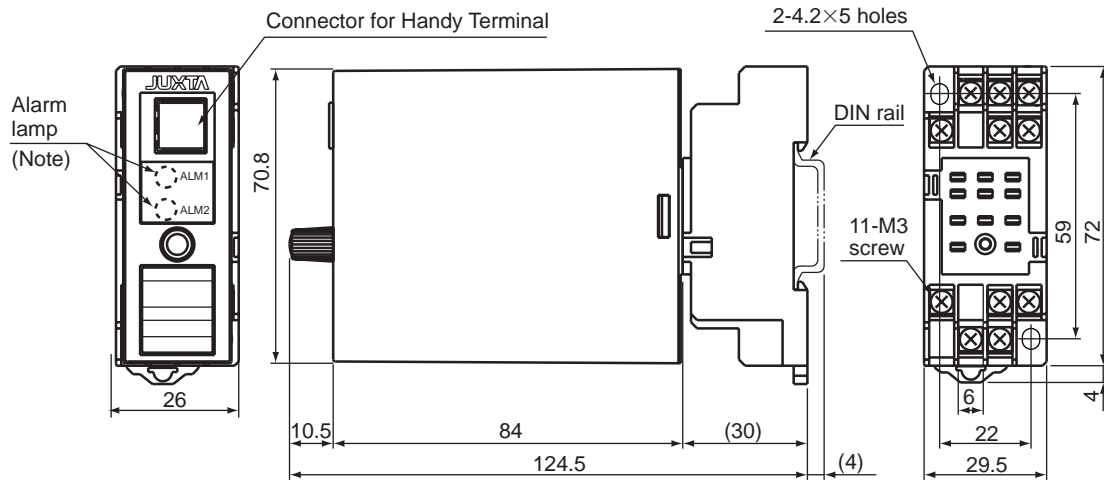


SD 77J01A07-01E

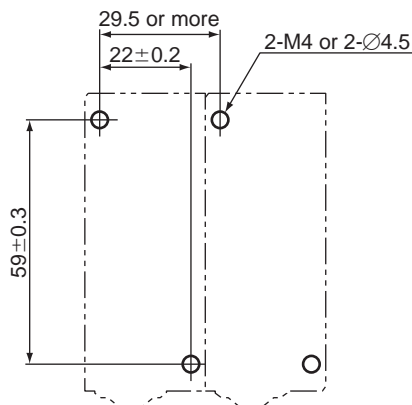
Unit: mm

External Dimensions

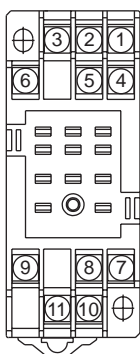


Note: Only when output-2 is alarm output

Mounting Dimensions



Terminal Arrangement



Terminal No.	Signal	Output-2		
		Analog	Communication	Alarm
1	Input	(PS+)	(PS+)	(PS+)
2	Output-2	(+)	B (+)	ALM1
3	Input	(-)	(-)	(-)
4	Input	COM	COM	COM
5	Output-2	(-)	A (-)	COM
6	Output-2	N.C.	COM	ALM2
7	Output-1	(+)	(+)	(+)
8	GND	GND	GND	GND
9	Output-1	(-)	(-)	(-)
10	Supply	(L+)	(L+)	(L+)
11	Supply	(N-)	(N-)	(N-)

Note: For single-output type, OUTPUT-2 is N.C.