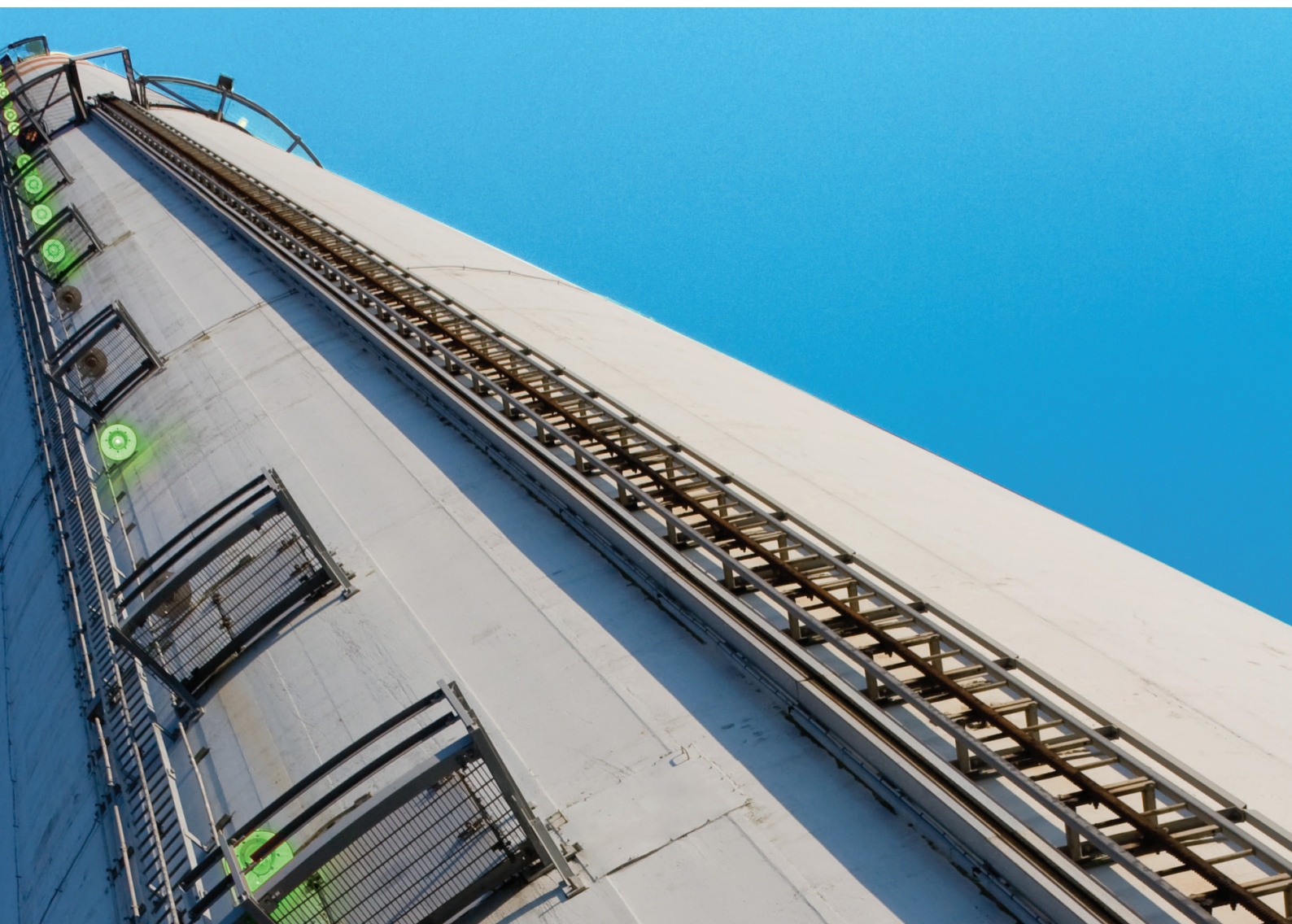


---

ABB MEASUREMENT & ANALYTICS

# Endura AZ20 combustion gas analysis

For tough applications the choice is  
now easy



---

## Measurement made easy

**Harsh environments demand rugged and robust combustion gas analyzers; solutions that are effective and efficient even in the toughest applications.**

**Let us introduce the Endura AZ20 Series from ABB – the world leader in oxygen measurement.**

**In diverse sectors, from hydrocarbon processing and power generation to process industries, the Endura AZ20 series will deliver enhanced business and operational benefits.**

# Superior technology and quality from the world leader in oxygen measurement

## Innovation based on over 50 years of experience

Re-engineered and simplified, the Endura AZ20 series saves you money, time and inconvenience. From rugged enclosures, self diagnostic electronics and auto calibration, to the use of common components combined with proven, innovatively applied technologies, the result is solutions that are easier to specify, install, configure, maintain and use.

## Flexibility comes as standard

The Endura AZ20 Series provides a solution to just about every combustion gas oxygen analysis problem. The options include long life probes of up to 4m in length with integral or remote electronics. These deliver stability and accuracy in hot, dusty, humid and high sulphur applications. There are industry standard flange configurations and extensive installation options to choose from.

## The key benefits at a glance

Proven to be robust: due to advanced design, precision manufacturing, long life serviceable probes and rugged enclosures.

Ease of use: with self calibration and diagnostics, simple operation via user friendly interfaces and fast, easy access components for complete site serviceability.

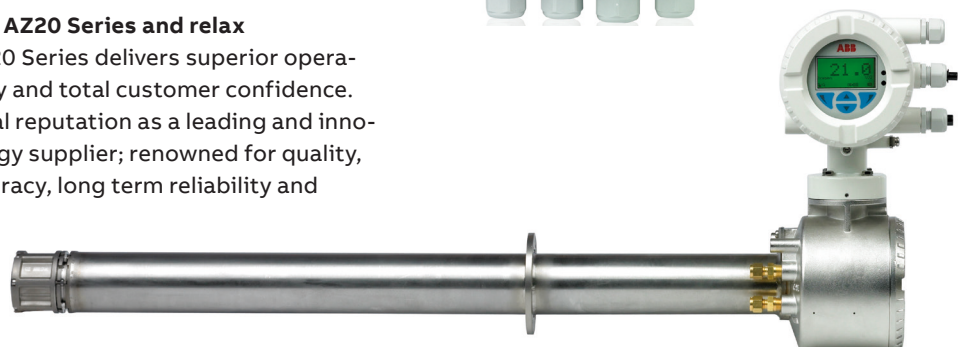
High return on investment and low cost of ownership: thanks to common longer lasting components, reduced footprint and lower installation, maintenance and purchasing costs.

## Choose Endura AZ20 Series and relax

The Endura AZ20 Series delivers superior operational efficiency and total customer confidence. ABB has a global reputation as a leading and innovative technology supplier; renowned for quality, consistent accuracy, long term reliability and safety.

## Technical features include:

- Advanced design and precision manufacturing
  - robust, long-life probe
  - proven cell design from over 50 years experience
  - fast response to process variations
  - stable and accurate Oxygen measurement
- Unique integrated auto-calibration system
  - easy compliance for emission monitoring regulation
  - reduced installation costs; eliminates requirement for expensive external calibration panel
  - reduced maintenance costs
- Probe lengths up to 4 m (13 ft) and industry-standard flange configurations
  - suitable for a wide range of applications
  - extensive installation options
  - innovative corroded fixings release
  - fully site-serviceable probe
  - ease of access to internal components
- Advanced transmitters
  - easy configuration, monitoring and diagnostics
  - HART communications
  - cell performance logging and diagnostics



—

**ABB Limited**

**Measurement & Analytics**

Oldends Lane, Stonehouse  
Gloucestershire, GL10 3TA  
UK

Tel: +44 (0)1453 826 661

Fax: +44 (0)1453 829 671

Mail: [instrumentation@gb.abb.com](mailto:instrumentation@gb.abb.com)

**ABB Inc.**

**Measurement & Analytics**

125 E. County Line Road  
Warminster, PA 18974  
USA

Tel: +1 215 674 6000

Fax: +1 215 674 7183

**[abb.com/measurement](http://abb.com/measurement)**

