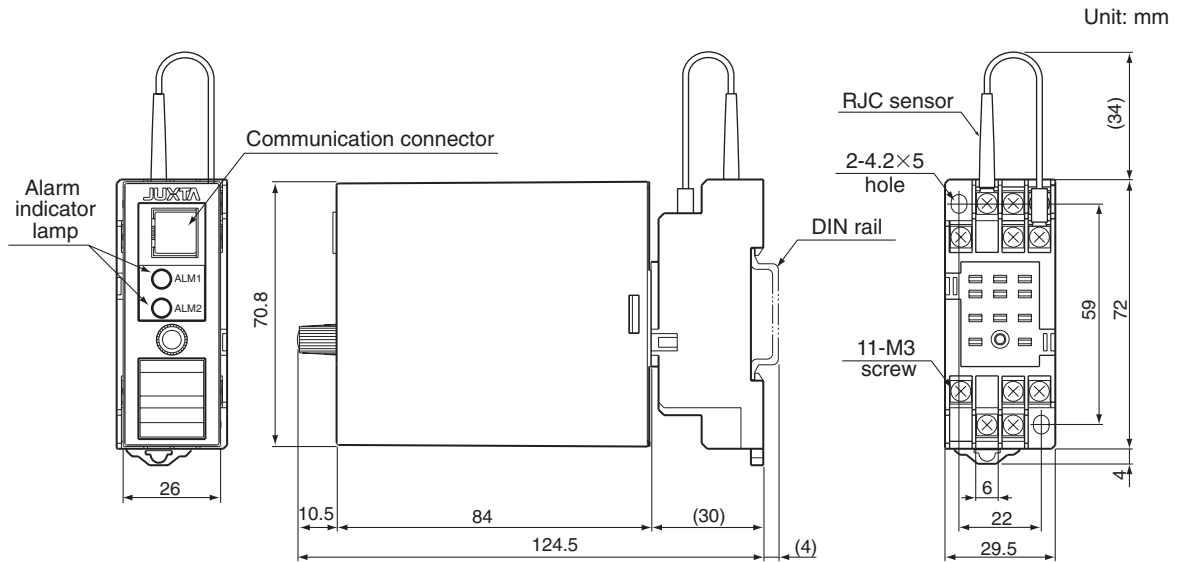
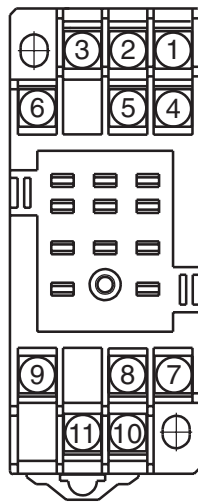


SD 77J01T21-01E

External Dimensions



Terminal Assignments



Terminal No.	Signal
1	Input (+)
2	Alarm 2 (NO)
3	Input (-)
4	Input (Reverse side of RJC)
5	Alarm 2 (COM)
6	N.C.
7	Alarm 1 (NO)
8	Ground (GND)
9	Alarm 1 (COM)
10	Supply (L+)
11	Supply (N-)