

General Specifications

Model DSK
Limit Alarm

JUXTA

GS 77J05S21-01E

■ General

The DSK is a nest-mounting type limit alarm, receives 4-20 mA DC or 1-5 V DC signals, compares them with internal setting values and outputs alarm contacts.

- Alarm action points can be set by front volume, and directions and contacts can be selected by the internal switch.

■ Model and Suffix Codes

DSK-□11

Model _____

Input Signal _____

A : 4 to 20 mA DC 6 : 1 to 5 V DC
Z : (Custom order) 0 : (Custom order)
Current signal Voltage signal
(50 mA or less) (±10 V or less)

Output 1 Signal _____

1 : Alarm output (Relay contact)

Output 2 signal _____

1 : Alarm output (Relay contact)

Power supply: 24 V DC±10%

■ Ordering Information

Specify the following when ordering.

- Model and suffix codes: e.g. DSK-A11

■ Input/Output Specifications

Input signal: 4 to 20 mA DC or 1 to 5 V DC signal

Input resistance:

DC current input	Input resistance	DC voltage input	Input resistance
4 to 20 mA	250 Ω	1 to 5 V	1 MΩ during power on, 100 kΩ during power off.

Maximum allowable input:

Voltage input: Within ±30 V DC

Current input: Within 22 to 70 mA DC

Output signal type: Relay contact

Alarm output: a or c contact, 2 points

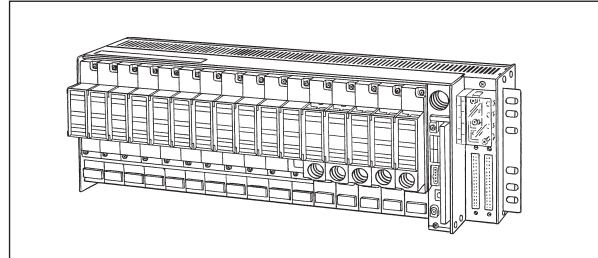
Contact rating:

125 V AC/1 A, 220 V AC/0.5 A (resistance load)

30 V DC/1 A, 125 V DC/0.1 A (resistance load)

Alarm setting range: -5 to +105%

(Hysteresis is fixed about 1 %.)



■ Standard Performance

Reproducibility of alarm action point: ±0.05% of span
Insulation resistance: 100 MΩ or more at 500 V DC between input and output 1, input and power supply, input and output 2, output 2 and power supply, output 1 and output 2, and power supply and output2.

Withstand voltage: 1500 V AC/min. between input and output 1, input and power supply, input and output 2, output 2 and power supply, output 1 and output 2, and power supply and output2.

■ Environmental Conditions

Operating temperature range: 0 to 50°C

Operating humidity range:

5 to 90% RH (no condensation)

Power supply voltage: 24 V DC±10%

(ripple content 5% p-p or less)

Effect of power supply voltage fluctuations: ±0.1% of span or less for the fluctuation within the operating range of power supply voltage specification.

Effect of ambient temperature change: ±0.2% of span or less for a temperature change of 10°C.

Current consumption: 24 V DC 80 mA

■ Mounting and Dimensions

Mounting method: Nest-mounting (Signals and power supply are connected through back board and connector)

Connection method:

External wiring; connection to M4 screw terminals of the dedicated nest

Connection to I/O card; via dedicated cable (connector)

External dimensions: 130.6(H)×23.6(W)×126(D) mm

Weight: Approx. 100 g

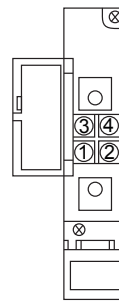
■ Standard Accessories

Tag number label: 1

■ Custom Order Specifications

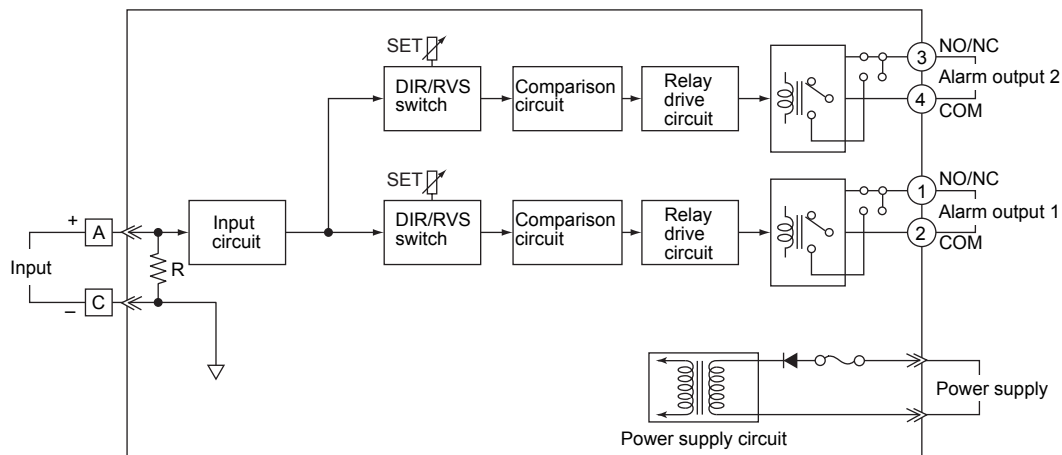
	Current signal	Voltage signal
Input range (DC)	0 to 50 mA	-10 to +10 V
Span (DC)	1 to 50 mA	1 to 20 V
Zero elevation	0 to 50%	-50 to 50%

■ Terminal Assignments



Terminal No.	Signal name
1	Alarm output 1 (NO/NC contact)
2	Alarm output 1 (COM)
3	Alarm output 2 (NO/NC contact)
4	Alarm output 2 (COM)

■ Block Diagram



A C : Nest input-and-output terminal

① ② ③ ④ : Front terminal

R : Input resistance (when current inputs)

■ External Dimensions

