

Drawings

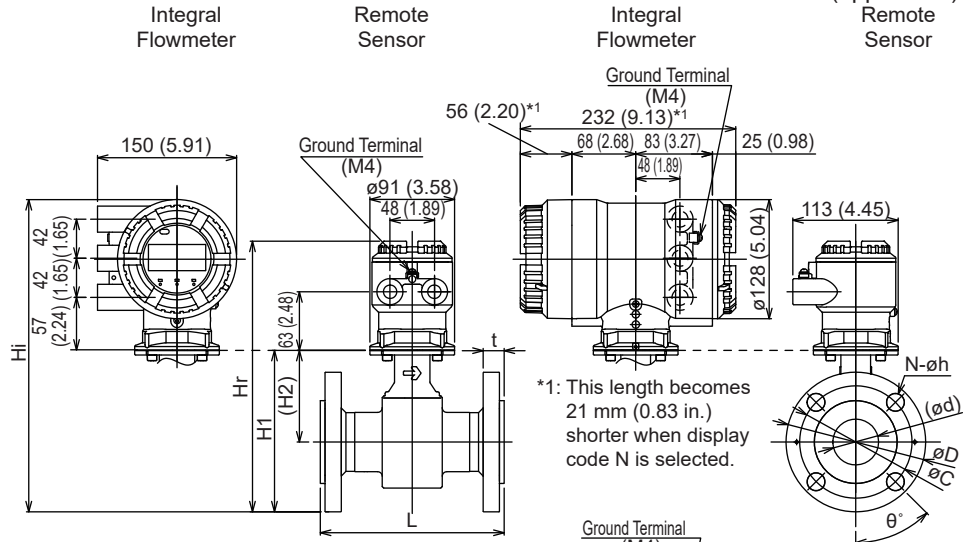
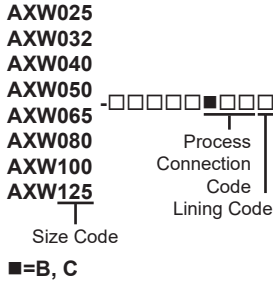
ADMAG TI Series
 AXW Magnetic Flowmeter
 [Size: 25 to 400 mm (1 to 16 in.)]
 Flange ASME Class 300



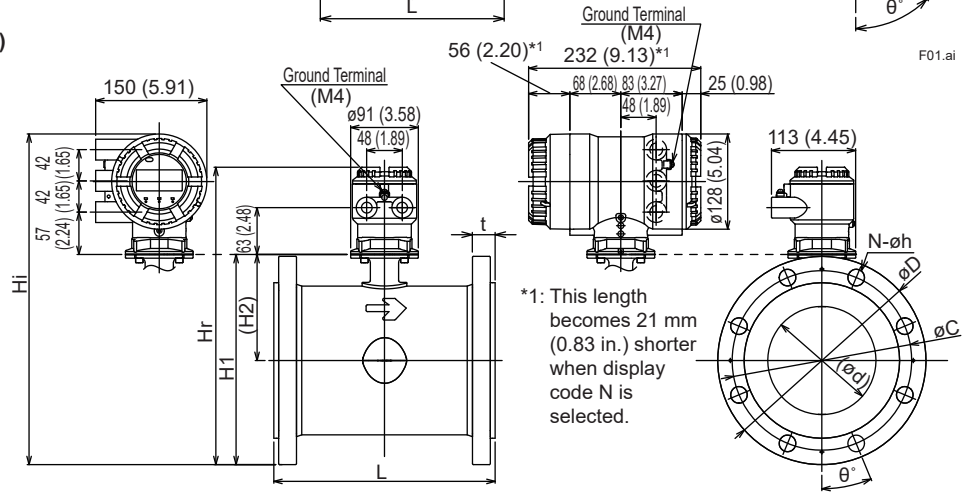
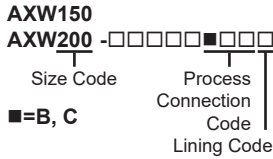
SD 01E24D02-02EN

Unit: mm (approx. in.)

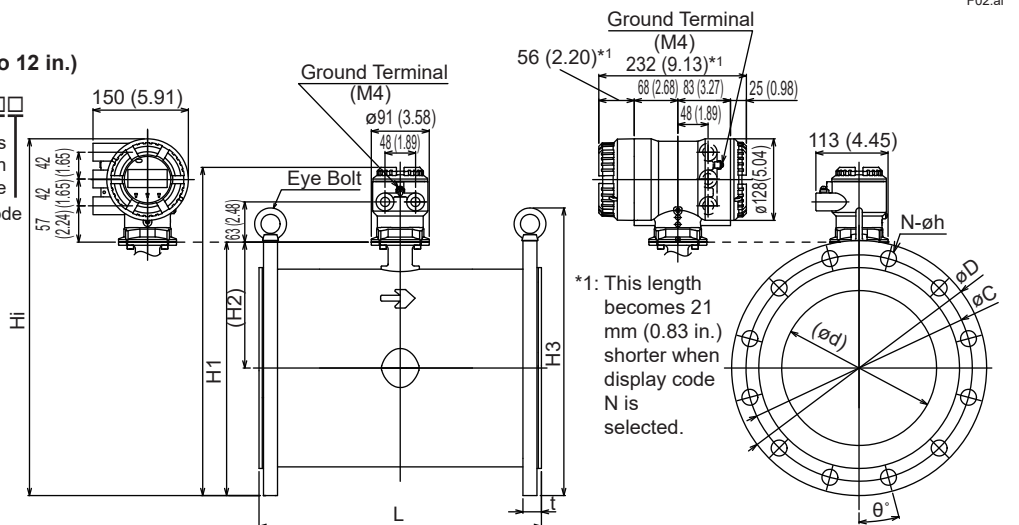
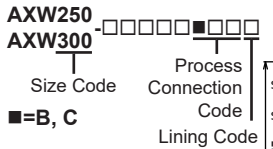
Size 25 to 125 mm (1 to 5 in.)



Size 150 to 200 mm (6 to 8 in.)



Size 250 to 300 mm (10 to 12 in.)



Unless otherwise specified, difference in the dimensions are specified as : General tolerance = ± (Criteria of tolerance class IT18 in JIS B0401-1) / 2

Unit: mm (approx. in.)

Model	Process Connection Code		BA2											
			CA2											
	Size Code		150	150	150	200	200	200	200	250	250	250	300	300
Size		(6)	(6)	(6)	(8)	(8)	(8)	(8)	(10)	(10)	(10)	(12)	(12)	(12)
Lining Code		F	U	H, D	F	U	H, D	F	U	H, D	F	U	H, D	
Remote Sensor	Lay Length (*1) (*5)	L	299 (11.75)	299 (11.75)	299 (11.75)	349 (13.72)	349 (13.72)	349 (13.72)	448 (17.62)	448 (17.62)	448 (17.62)	498 (19.59)	498 (19.59)	498 (19.59)
		Flange Outer Diameter	øD	320 (12.60)	320 (12.60)	320 (12.60)	380 (14.96)	380 (14.96)	380 (14.96)	445 (17.52)	445 (17.52)	445 (17.52)	520 (20.47)	520 (20.47)
	Flange Thickness (incl. lining flare)	t	42.0 (1.65)	42.0 (1.65)	42.0 (1.65)	46.7 (1.84)	46.7 (1.84)	46.7 (1.84)	54.1 (2.13)	54.1 (2.13)	54.1 (2.13)	57.3 (2.26)	57.3 (2.26)	57.3 (2.26)
	Lining Inner Diameter	ød	149 (5.87)	145 (5.71)	147 (5.80)	200 (7.89)	194 (7.63)	198 (7.81)	248 (9.78)	242 (9.53)	247 (9.74)	300 (11.79)	292 (11.48)	299 (11.75)
	Bolt Circle Diameter	øC	269.9 (10.63)	269.9 (10.63)	269.9 (10.63)	330.2 (13.00)	330.2 (13.00)	330.2 (13.00)	387.4 (15.25)	387.4 (15.25)	387.4 (15.25)	450.8 (17.75)	450.8 (17.75)	450.8 (17.75)
	Bolt Hole Interval	ø°	15	15	15	15	15	15	11.25	11.25	11.25	11.25	11.25	11.25
	Bolt Hole Diameter	øh	22.3 (0.88)	22.3 (0.88)	22.3 (0.88)	25.4 (1.00)	25.4 (1.00)	25.4 (1.00)	28.6 (1.13)	28.6 (1.13)	28.6 (1.13)	31.8 (1.25)	31.8 (1.25)	31.8 (1.25)
	Number of Bolt Holes	N	12	12	12	12	12	12	16	16	16	16	16	16
	Height	H1	303 (11.91)	303 (11.91)	303 (11.91)	358 (14.08)	358 (14.08)	358 (14.08)	421 (16.57)	421 (16.57)	421 (16.57)	483 (19.01)	483 (19.01)	483 (19.01)
	Height	H2	143 (5.61)	143 (5.61)	143 (5.61)	168 (6.60)	168 (6.60)	168 (6.60)	198 (7.81)	198 (7.81)	198 (7.81)	223 (8.77)	223 (8.77)	223 (8.77)
Height	H3	-	-	-	-	-	-	496 (19.53)	496 (19.53)	496 (19.53)	571 (22.48)	571 (22.48)	571 (22.48)	
Remote Sensor	Maximum Height	Hr	420 (16.53)	420 (16.53)	420 (16.53)	475 (18.70)	475 (18.70)	475 (18.70)	538 (21.19)	538 (21.19)	538 (21.19)	600 (23.62)	600 (23.62)	600 (23.62)
	Approx. Weight, Unit: kg (lb) (*2)		46 (101.6)	45 (99.3)	45 (99.3)	68 (150.1)	67 (147.9)	67 (147.9)	106 (234.0)	106 (234.0)	105 (231.8)	144 (317.9)	143 (315.7)	143 (315.7)
Integral Flowmeter	Maximum Height	Hi	465 (18.29)	465 (18.29)	465 (18.29)	520 (20.46)	520 (20.46)	520 (20.46)	583 (22.95)	583 (22.95)	583 (22.95)	645 (25.38)	645 (25.38)	645 (25.38)
	Approx. Weight, Unit: kg (lb)		48 (106.0)	48 (106.0)	48 (106.0)	70 (154.5)	69 (152.3)	69 (152.3)	109 (240.6)	108 (238.4)	108 (238.4)	147 (324.5)	146 (322.3)	145 (320.1)
Grounding rings thin type (GRL, GRH) (*1) (*3)			-	+2 (+0.08)	+2 (+0.08)	-	+2 (+0.08)	+2 (+0.08)	-	+4 (+0.16)	+4 (+0.16)	-	+4 (+0.16)	+4 (+0.16)
Grounding rings thick type (GRN, GRJ) (*1) (*4)			+6 (+0.24)	+6 (+0.24)	+6 (+0.24)	+6 (+0.24)	+6 (+0.24)	+6 (+0.24)	+6 (+0.24)	+6 (+0.24)	+6 (+0.24)	+6 (+0.24)	+6 (+0.24)	+6 (+0.24)

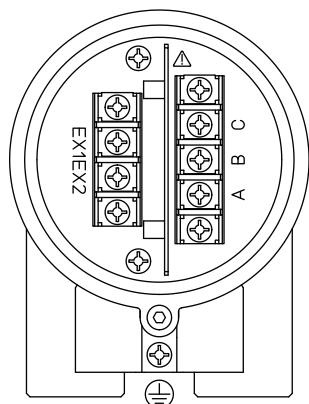
- *1: Add the value above (which is the total of both ends) to the lay length "L" when selecting optional grounding rings with/without gaskets. Also, the thickness of customer supplied gaskets should be added for getting the total lay length.
- *2: When submersible use or optional code DHC is selected, waterproof glands with union joints and cables are attached. When the cable length is 30-meters, add 9.5 kg (20.9 lb) to the weight in the table.
- *3: These grounding rings (GRL, GRH) are not applied to lining code F nor H but for U and D.
- *4: When applying these grounding rings (GRN, GRJ) to lining code F or H, gaskets supplied by customer are necessary. For the sizes in this table, recommended thickness of the gasket is 3 to 5 mm (0.12 to 0.20 in.) per one, bringing 6 to 10 mm (0.24 to 0.39 in.) per two to be additionally added for getting the total lay length.
- *5: The tolerance of the lay length "L" is as follows.
- Size 25 to 200 mm (1 to 8 in.): 0/-3 mm
 - Size 250 to 400 mm (10 to 16 in.): 0/-5 mm

Terminal Configuration and Wiring

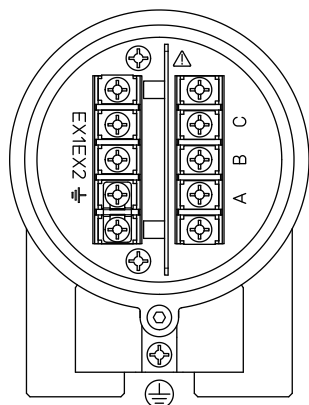
Remote Sensor:

<To be wired to Remote Transmitter>

Non Explosion Protection Use



Explosion Protection Use



Terminal Symbol	Description
A B C	Flow Signal Output
EX1 EX2	Excitation Current Input
⊕	Protective Grounding (Outside of the terminal box)
⊖	Functional Grounding

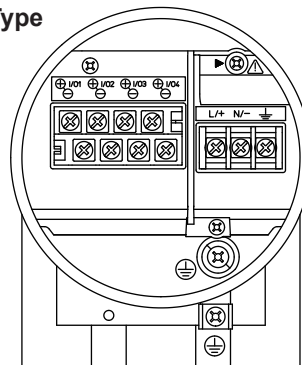
F04.ai

Note: When submersible use or optional code DHC is selected, waterproof glands with union joints and cables are attached.

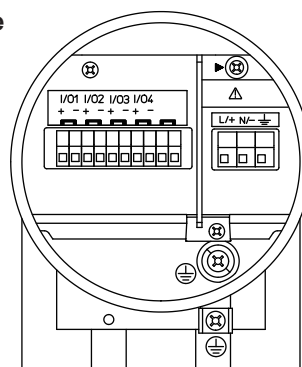
Integral Flowmeter:

<To be wired to Power Supply and I/Os>

M4 Screw Type



Clamp Type



Terminal Symbol	Description
▶	Shorting Screw (Need to be fixed for normal operation)
⊖	Functional Grounding
N/- L/+	Power Supply
I/O4 - I/O4 + I/O3 - I/O3 + I/O2 - I/O2 + I/O1 - I/O1 +	Selected Input/Output
⊕	Protective Grounding (Inside and outside of the terminal box)

F05.ai