

1. PRECAUTION

Please read through this Manual before use the instrument for correct handling. Please keep this Manual carefully after use. This instrument has been thoroughly tested at the factory before shipment. When you receive it, visually inspect it for damage and check the accessories.

- ① Model number and specification check
Check to see the model number and specifications on the nameplate attached to the front face of the instrument are as ordered.
- ② Contents of instruction manual
This instruction manual provides instructions on handling, external wiring and safety use of isolator.

2. GENERAL

This isolator receives 4~20mA DC signal from detector terminal and outputs isolated 4~20mA DC signal.

Accessories:
Spacer 1
(Use for DIN rail mounting)

3. MOUNTING METHOD

JUXTA M Series signal conditioners can be mounted on wall or DIN rail.

3.1 Wall mounting

Unlock stoppers and remove the isolator from socket as shown in Fig.1. Then, fix the socket on the wall. Take installation gap as shown in Fig.3. (Refer Fig.3 for mounting dimensions).

3.2 DIN rail mounting

Insert DIN rail into upper section of the DIN rail groove on rear of socket of isolator and fix the rail with slidelock at the base of isolator as shown in Fig.2. Use furnished spacer and take 5mm gap between isolators.

3.3

If wiring duct is used, install it aparting more than 20mm from top of main body.

4. EXTERNAL WIRING

CAUTION Wiring should be done after ensuring power break of each cable.

See Fig.4 for terminal arrangement. Wires should be connected to M3.5 screw terminals. For wiring, flexible twisted wires and good contact of durable round crimp-on terminals are recommended to be used.

- Signal cable having more than 0.5mm² of nominal cross-sectional area of conductor is recommended to be used.

4.1 Wiring

- ① Connect Ch1 input signal cable to terminals 3(+), 4(-) and output signal cable to 1(+), 2(-).
- ② Connect Ch2 input signal cable to terminals 5(+), 6(-) and output signal cable to 7(+), 8(-).

NOTE : Apart wiring of input/output cables from noise source. Otherwise, accuracy may not be warranted.

Fig.1 Wall Mounting

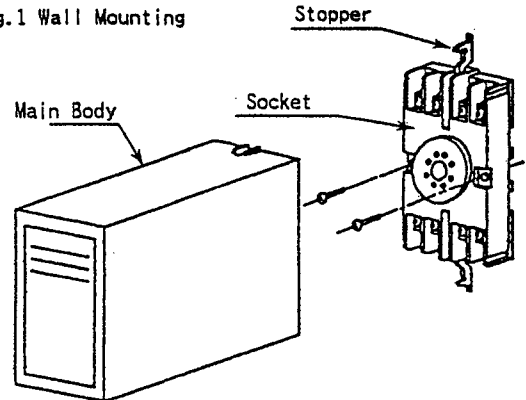


Fig.2 DIN Rail Mounting

To remove isolator from DIN rail, lower the slidelock with (-) screwdriver.

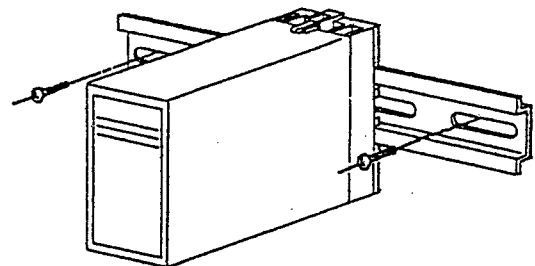
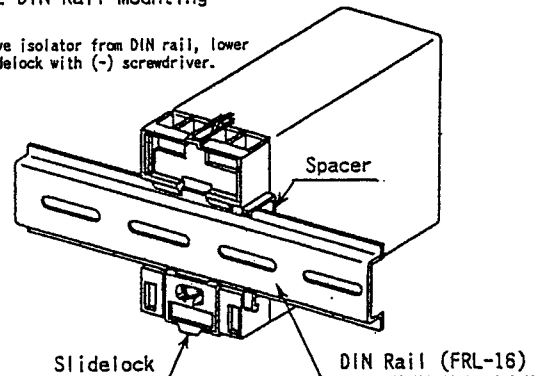
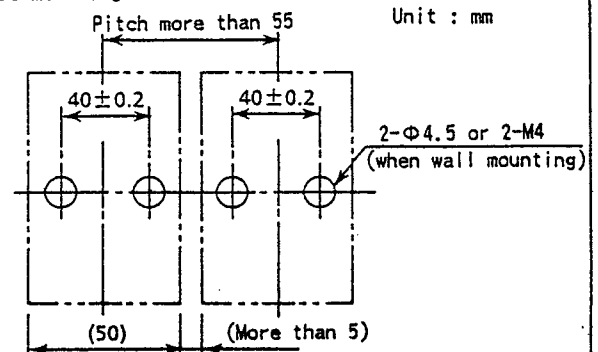


Fig.3 Mounting Dimension



5. INSTALLATION AND HANDLING

- ① Avoid installation in such environments as shock, vibration, corrosive gas, dust, water, oil, solvent, direct sunlight, radiation, powerful electric and magnetic fields.
- ② In order to protect instrument from inducement of thunder surges in power and signal cables, use arrester between isolator and equipment installed in the field.

6. SAFETY USE

Following caution for safety should be taken for handling of instrument. We are not responsible for damage incurred by use contrary to caution.

CAUTION

- Be sure to lock the stoppers (top and bottom) after inserting the main body into socket.
- Following items should be checked when turning power on. Use of instrument ignoring specifications may cause overheat or burning.
 - (a) Voltage of power supply and input value be applied to the instrument should meet with required specifications.
 - (b) External wiring to terminals should be connected correctly. (See preceding Article 4)
- Do not use the instrument in such dangerous places where exist inflammable and explosive gas or steam.

7. MAINTENANCE

10~15 minutes warm up is required to satisfy the specifications of the instrument.

7.1 Calibration Equipment

- Voltage/Current Generator 1
(Yokogawa Model 7651 or equivalent)
- Voltmeter 1
(Yokogawa Model 7652 or equivalent)
- Precision Resistor 250Ω ±0.01% 1W 1.

7.2 Calibration

- ① Connect each equipment as shown in Fig.6.
- ② Input/output characteristics check
Apply input signals equivalent 0, 25, 50, 75, 100% of input span to isolator through Voltage/Current Generator.
Check that corresponding isolator outputs are 0, 25, 50, 75 and 100% respectively and are within accuracy rating range.

Fig.4 Terminal Arrangement

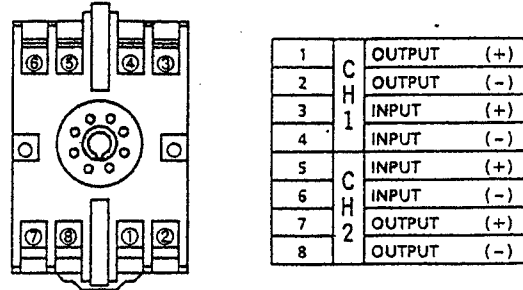


Fig.5 Wiring Diagram

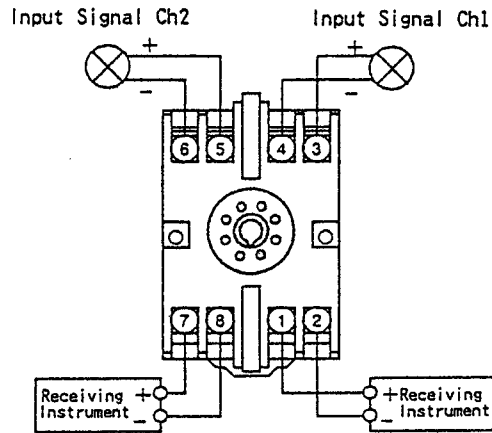
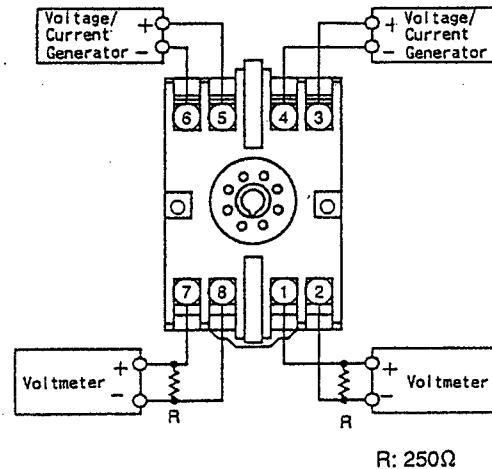


Fig.6 Wiring of Calibration Equipment



Subject to change without notice for grade up quality and performance.