

User's Manual

Models AR-PY and AR-WY Outdoor-installed Waterproof Boxes (for Two Arresters)

Yokogawa Electric Corporation
Network Solutions Business Division
2-9-32, Naka-cho Musashino-shi, Tokyo 180-8750 Japan
Phone: +81-422-52-7179 Facsimile: +81-422-52-6793

YOKOGAWA
Yokogawa Electric Corporation

IM 77M02Y02-01E
1st Edition: Jan. 2004 (MC)
3rd Edition: Aug. 2005 (KP)

Thank you for purchasing this waterproof box for outdoor installation. To ensure safety, be sure to thoroughly read this User's Manual before using the box, then keep it handy for future reference.

■ Contents of the Package

Check that the package contains the following items:

- AR-PY or AR-WY main unit: 1
- User's Manual (IM 77M02Y02-01E): 1
- M4 screws for mounting arresters: 8
- Pipe-mounting bracket: 1 – for AR-PY only
- U-shaped bracket assembly: 1
(one U-shaped bracket and two M8 nuts) for AR-PY only
- Wall-mounting bracket: 1 – for AR-WY only
- M5 screws for fixing the mounting bracket: 4
- Hand tool for drilling wiring holes: 1
- Large wiring cable glands: 4
- Small grounding cable gland: 1

1. PRECAUTIONS FOR SAFE USE OF THE PRODUCT

The following safety symbol is indicated on the product to ensure safe use.



If this symbol is indicated on the product, the operator should refer to the explanation given in the user's manual in order to avoid personnel injury or death to either themselves or other personnel, and/or damage to the instrument. The manual describes the special care the operator should exercise to avoid shock or other dangers that may result in injury or loss of life.

The following symbols are used only in this manual.



IMPORTANT

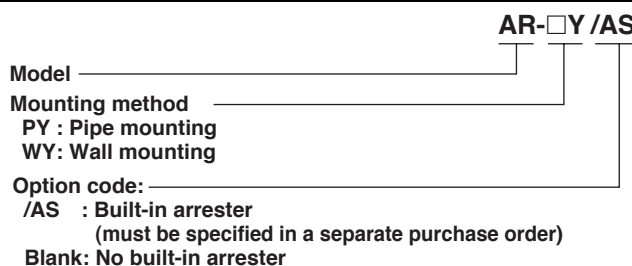
Indicates that operating the hardware or software in a particular manner may damage it or result in a system failure.



NOTE

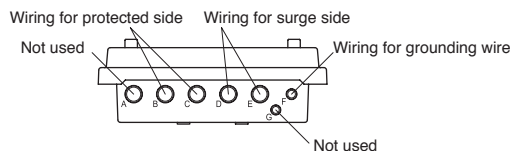
Draws attention to information that is essential for understanding the operation and/or features of the product.

2. MODELS AND SUFFIX CODES



3. DRILLING HOLES FOR CABLE ROUTING

Use the supplied hand tool to drill as many wiring holes as the number of cables to be routed, as shown in the figure below. Normally, drill Hole F for the grounding wire, Holes B and C for the protected side, and Holes D and E for the surge side.



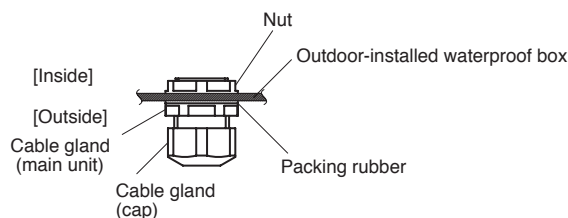
4. MOUNTING METHOD



NOTE

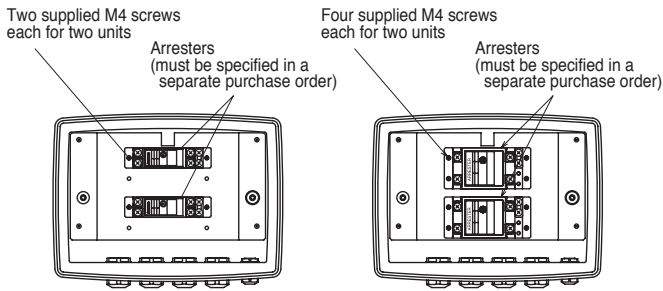
After cable routing, carefully perform mounting so that moisture will not enter inside the arrester. Also, be careful not to fasten the cap on the cable gland too tightly as doing so could damage the cable.

- (1) Mount the supplied cable glands on the wiring holes as shown in the figure below. Mount four large wiring cable glands on Holes B, C, D, and E and a small grounding cable gland on Hole F.
- (2) Route the cables into the arrester through the cable glands. The applicable diameters (outer diameters) of the cables are as follows:
Cable for protected and surge sides: $\phi 9 - 11$ mm
Cable for grounding wire: $\phi 5.5 - 7$ mm



(3) Perform mounting using the supplied M4 screws as shown in the figures below. For wiring, refer to the user's manual of the arrester.

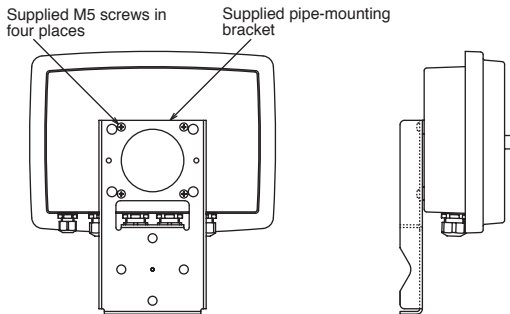
When /AS is specified for the option code, arresters are mounted as shown in the figures below.



4.1 AR-PY for Pipe Mounting

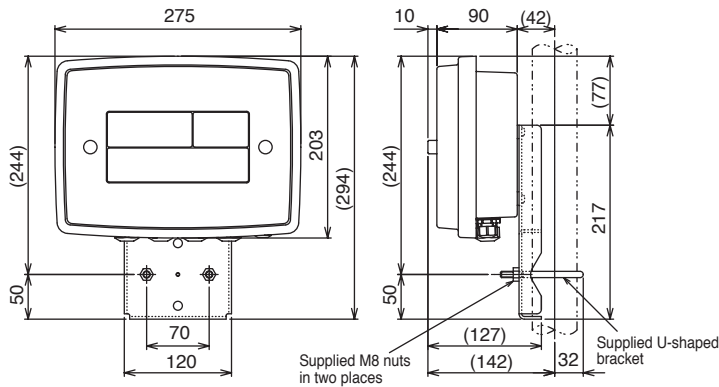
(1) Anchor a supplied pipe-mounting bracket onto the box with the supplied M5 screws.

● Fixing the Mounting Bracket

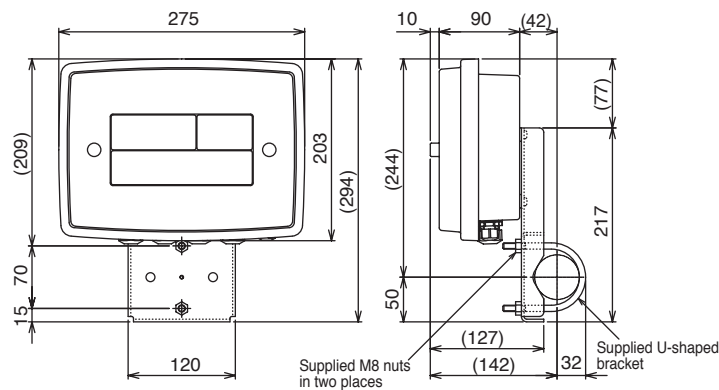


(2) Mount the box onto the pipe with a supplied U-shaped bracket.

● Vertical Mounting



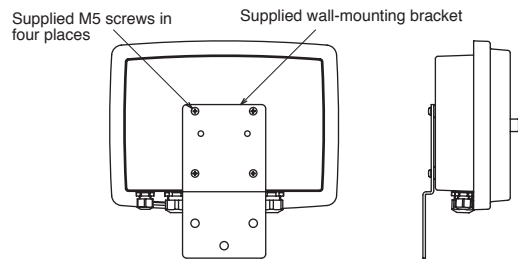
● Horizontal Mounting



4.2 AR-WY for Wall Mounting

(1) Anchor a supplied wall-mounting bracket onto the box with the supplied M5 screws.

● Fixing the Mounting Bracket



(2) Mount the box onto the wall with screws on the lower holes of the wall-mounting bracket.

● Wall Mounting

