

# General Specifications

Model VJ77  
PC-based Parameters Setting Tool  
(with Model L4506HA Dedicated Adapter)

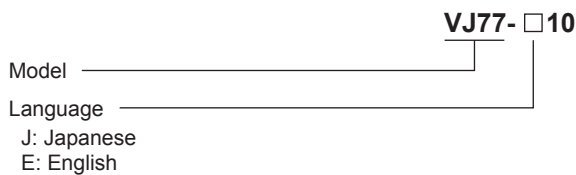
JUXTA

GS 77J01J77-01E

## ■ General

The VJ77 PC-based Parameters Setting Tool is a software package for setting various parameters and programs of the microcomputer-based JUXTA series signal conditioner and computing unit on a PC.

## ■ Model and Suffix Codes



## ■ Items to Specify When Ordering

- Model and suffix codes

## ■ Function

- **Parameter setting**  
This function enables settings and modification of various parameters of microcomputer-based JUXTA, including input type, input range, output range, and burnout.
- **Program setting**  
This function enables programming of the microcomputer-based JUXTA computing unit (programmable).
- **Collective reading & writing data**  
This function allows the parameters and programs on the microcomputer-based JUXTA to be collectively read and then written to the JUXTA.
- **File management**  
This function allows the programs made with this tool, and the parameters and programs read from the JUXTA to be saved on a PC's hard disk or other media.
- **Data printing**  
This function enables the printing out of programs made with this tool and the reading of parameters and programs from the JUXTA by a printer.
- **Monitoring**  
This function enables the monitoring of inputs to and outputs from the microcomputer-based JUXTA and the results of selfdiagnosis.
- **Calibration**  
This function enables calibration of the microcomputer-based JUXTA's input/outputs.

## ■ Operating Environment

- OS: Windows 7 Professional (32-bit/64-bit version)  
Windows 8.1 Pro Update (32-bit/64-bit version)  
Windows 10 Pro (32-bit/64-bit version)  
Windows 7/8.1/10 supports a Japanese edition and English version.
- CPU: Pentium 4 series processor  
For Windows 7 Professional or Windows 8.1 Pro Update: Equivalent to 3.0 GHz or higher recommended  
For Windows 10 Pro: 1 GHz or higher processor or SoC
- Main memory: Windows 7 Professional/Windows 8 Pro: At least 2 GB recommended  
Windows 10 Pro: 1 GB (32-bit version), 2 GB (64-bit version)
- Hard disk space: Package program: 10MB or more  
.Net Framework 4.0 :620MB or more
- Display: 1024 × 768 pixels or better, 256 colors or more recommended
- Communication port: At least 1 port (USB port)
- Printer: Required for printing, support for letter or A4 size

### Dedicated adapter:

- Power supply: Supplied from the USB bus power.  
Insulation resistance: Minimum of 100 M/500 V DC between USB communication port and the JUXTA connection sides
- Withstand voltage: 500 V AC/minute between USB communication port and the JUXTA connection sides
- Ambient temperature: 0 to 50C  
Ambient humidity: 5 to 90% RH (no condensation)  
Transportation & storage conditions: -40 to 70C, 5 to 95% RH (no condensation)
- Waterproof & dustproof construction: Not applicable  
Weight: 100 g or less (including dedicated cable)

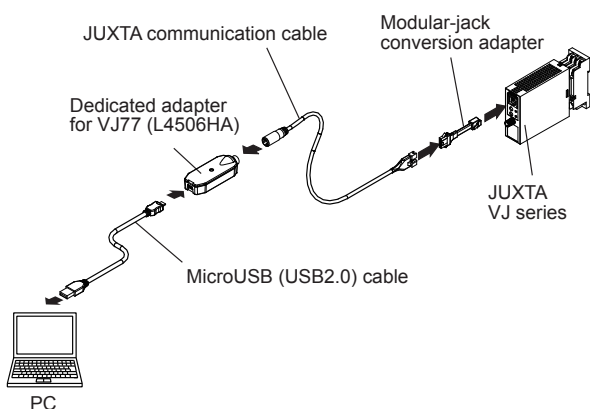
## ■ EMC Standards

- Moel L4506HA  
EMC directive:  
EN 61326-1 compliance, Class A Table 2  
EN 55011 Class A Group 1  
EMC Regulatory Arrangement in Australia and New Zealand (RCM): EN 55011 Class A, Group 1  
KC marking: Electromagnetic wave interference prevention standard, electromagnetic wave protection standard compliance.

## ■ Environment Standard

- Moel L4506HA  
RoHS Directive: EN 50581

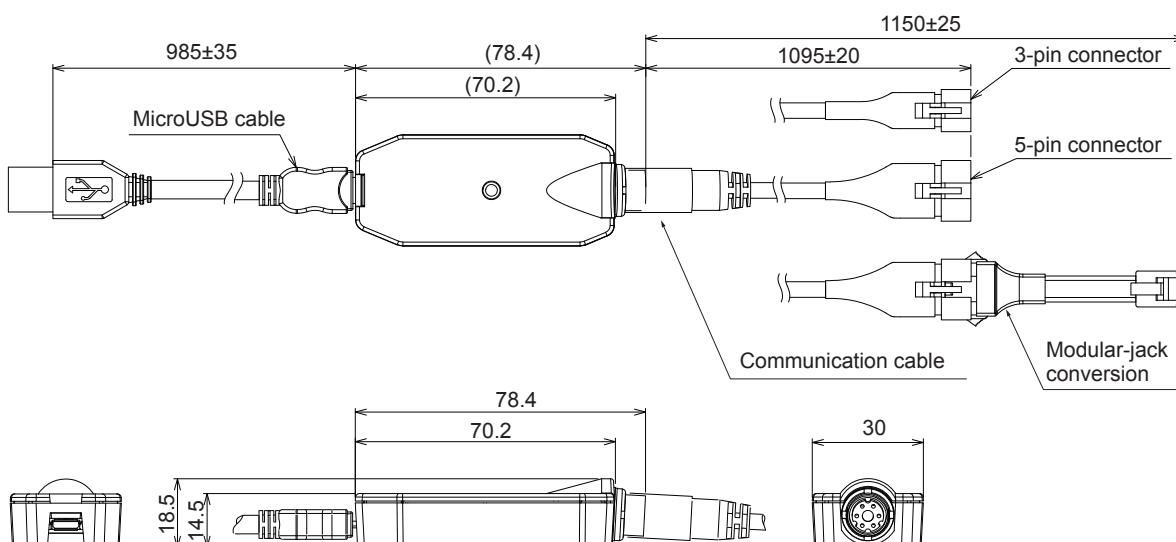
## ■ Connection between PC and JUXTA



- **Instrument combination when communicating with JUXTA D series**  
PC, MicroUSB (USB2.0) cable, dedicated adapter, and JUXTA communication cable with 5-pin connectors.
- **Instrument combination when communicating with JUXTA VJ and M series**  
PC, MicroUSB (USB2.0) cable, dedicated adapter, JUXTA communication cable with 5-pin connectors, and modular-jack conversion adapter.
- **Instrument combination when communicating with JUXTA F and W series**  
PC, MicroUSB (USB2.0) cable, dedicated adapter, and JUXTA communication cable with 3-pin connectors.

## ■ External Dimensions of Dedicated Adapter

Unit: mm



## ■ Standard Accessories

- Dedicated adapter (Model: L4506HA): 1
- MicroUSB(USB2.0) cable (Part no.: A1590WL): 1
- JUXTA communication cable with 3-pin connectors (Part no.: F9182ED): 1
- JUXTA communication cable with 5-pin connectors (Part no.: F9182EE): 1
- Modular jack conversion adapter (Part no.: E9786WH): 1



## Trademarks

- JUXTA is a trademark of Yokogawa Electric Corporation.
- MS-Windows is a registered trademark of Microsoft Corporation, U.S.A.
- Other product and company names appearing in this document are trademarks or registered trademarks of their respective holders.