

Drawings

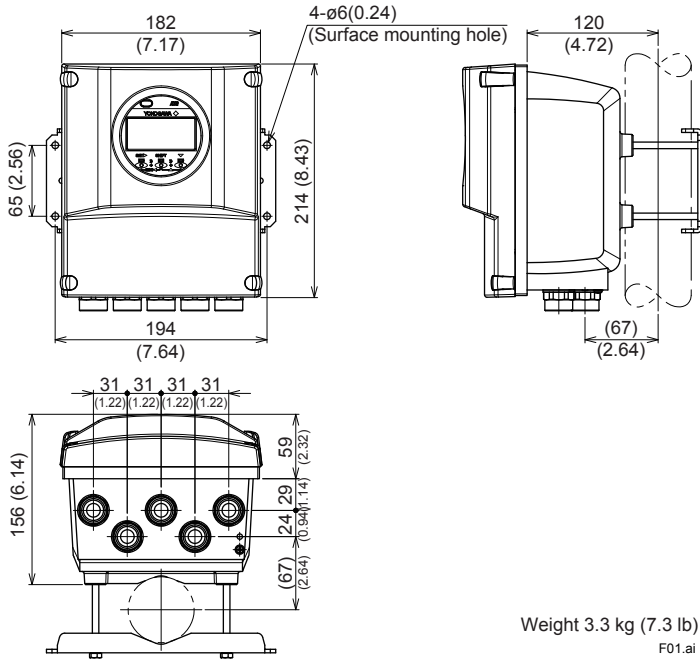
ADMAG TI Series AXG1A Magnetic Flowmeter Remote Transmitter



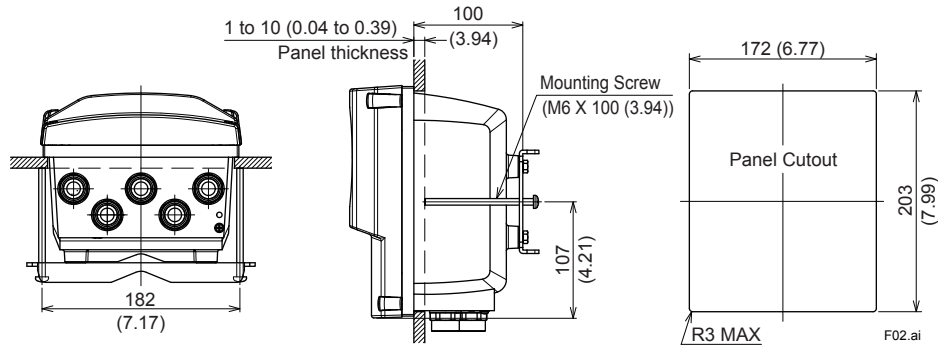
SD 01E22C01-01EN

Pipe mounting

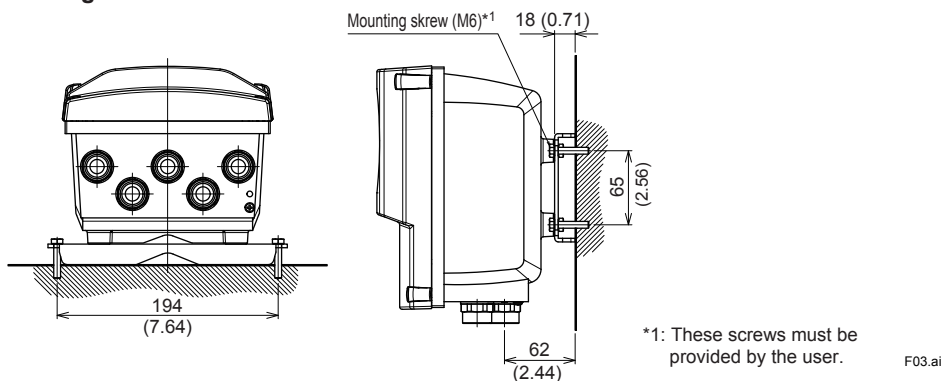
Unit: mm (approx. inch)



Panel mounting



Surface mounting

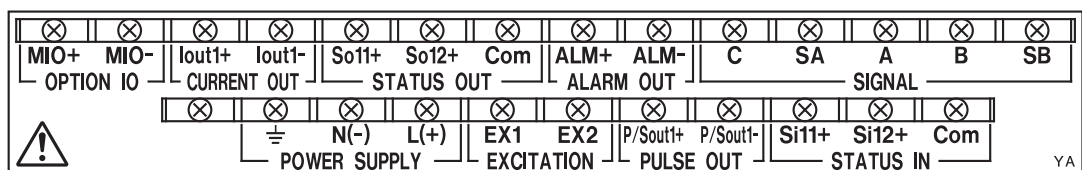


Model code:

AXG1A-G000#####1#/#

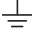

Unless otherwise specified, difference in the dimensions are specified as : General tolerance = \pm (Criteria of tolerance class IT18 in JIS B0401) / 2

Terminal configuration



F04.ai

Terminal wiring

Terminal Symbol	Description						
SIGNAL	<table border="0"> <tr><td>C</td><td rowspan="5">Flow signal input</td></tr> <tr><td>SA</td></tr> <tr><td>A</td></tr> <tr><td>B</td></tr> <tr><td>SB</td></tr> </table>	C	Flow signal input	SA	A	B	SB
C	Flow signal input						
SA							
A							
B							
SB							
ALARM OUT	<table border="0"> <tr><td>ALM+</td><td rowspan="2">Alarm output</td></tr> <tr><td>ALM-</td></tr> </table>	ALM+	Alarm output	ALM-			
ALM+	Alarm output						
ALM-							
STATUS OUT	<table border="0"> <tr><td>So11+</td><td rowspan="3">Status output (Two outputs)</td></tr> <tr><td>So12+</td></tr> <tr><td>COM</td></tr> </table>	So11+	Status output (Two outputs)	So12+	COM		
So11+	Status output (Two outputs)						
So12+							
COM							
CURRENT OUT	<table border="0"> <tr><td>Iout1+</td><td rowspan="2">Current output 4-20 mA DC</td></tr> <tr><td>Iout1-</td></tr> </table>	Iout1+	Current output 4-20 mA DC	Iout1-			
Iout1+	Current output 4-20 mA DC						
Iout1-							
OPTION IO	<table border="0"> <tr><td>MIO+</td><td rowspan="2">Option input/output</td></tr> <tr><td>MIO-</td></tr> </table>	MIO+	Option input/output	MIO-			
MIO+	Option input/output						
MIO-							
STATUS IN	<table border="0"> <tr><td>Si11+</td><td rowspan="3">Status input (Two inputs)</td></tr> <tr><td>Si12+</td></tr> <tr><td>COM</td></tr> </table>	Si11+	Status input (Two inputs)	Si12+	COM		
Si11+	Status input (Two inputs)						
Si12+							
COM							
PULSE OUT	<table border="0"> <tr><td>P/Sout1+</td><td rowspan="2">Pulse/Status output</td></tr> <tr><td>P/Sout2-</td></tr> </table>	P/Sout1+	Pulse/Status output	P/Sout2-			
P/Sout1+	Pulse/Status output						
P/Sout2-							
EXCITATION	<table border="0"> <tr><td>EX1</td><td rowspan="2">Excitation current output</td></tr> <tr><td>EX2</td></tr> </table>	EX1	Excitation current output	EX2			
EX1	Excitation current output						
EX2							
POWER SUPPLY	<table border="0"> <tr><td>N(-)</td><td rowspan="2">Power supply</td></tr> <tr><td>L(+)</td></tr> </table>	N(-)	Power supply	L(+)			
N(-)	Power supply						
L(+)							
	 Functional grounding						
	 Protective grounding (Outside of the terminal)						