

# General Specifications

Models WA4A, WA4V  
Distributor (Non-isolated)

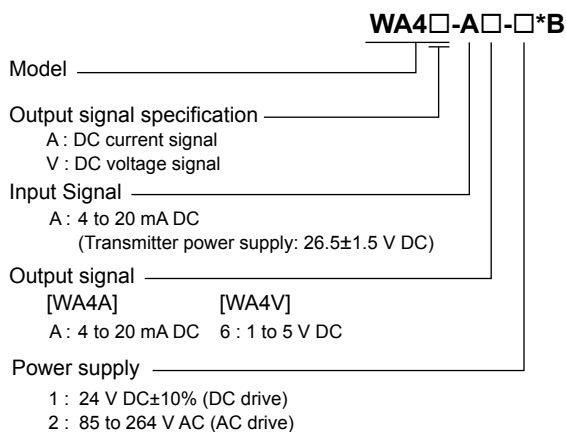
**JUXTA**

GS 77J09A04-01E

## ■ General

The WA4A/WA4V is a compact, front terminal connection type distributor that is used in combination with a two-wire transmitter, and converts the transmitter's 4 to 20 mA DC signals into 4 to 20 mA DC current or 1 to 5 V DC voltage signals.

## ■ Model and Suffix Codes



## ■ Ordering Information

Specify the following when ordering.

- Model and suffix codes :e.g. WA4V-A6-2\*B

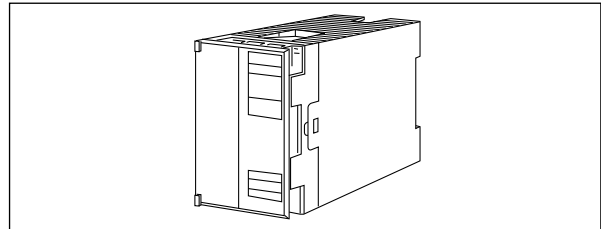
## ■ Input/Output Specifications

Input signal: 4 to 20 mA DC signal from two-wire transmitter  
 Input resistance: 250 Ω  
 Maximum allowable input: 40 mA DC  
 Transmitter power supply: 26.5±1.5 V DC  
 (provided with a current limiter to keep the current between 25 and 35 mA)  
 Allowable conductor resistance (RL):  
 Up to [(20 –transmitter's minimum operating voltage) V/0.02 A] Ω  
 Output signal: 4 to 20 mA DC or 1 to 5 V DC  
 Allowable load resistance:

DC current output	Allowable load resistance	DC voltage output	Allowable load resistance
4 to 20 mA	750 Ω or less	1 to 5 V	250 kΩ or more

## ■ Standard Performance

Accuracy rating: ±0.1% of span  
 Insulation resistance: (input and output) and power supply, power supply and ground, and (input and output) and ground.  
 Withstand voltage:  
 DC drive    500 V AC/min. between (input and output) and power supply.  
 AC drive    1500 V AC/min. between (input and output) power supply and ground.



## ■ Environmental Conditions

Operating temperature range: 0 to 50°C  
 Operating humidity range: 5 to 90% RH (no condensation)  
 Power supply voltage: 85 to 264 V AC, 47 to 63 Hz or 24 V DC ±10%  
 Effect of power supply voltage fluctuations: ±0.1% of span or less for fluctuation within the operating range of power supply voltage specification.  
 Effect of ambient temperature change: ±0.2% of span or less for a temperature change of 10°C.  
 Current consumption: 24 V DC 65 mA (WA4A/V-1)  
 Power consumption: 100 V AC 6 VA (WA4A/V-2)

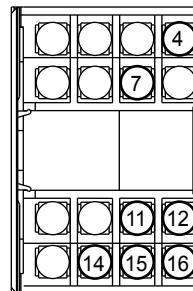
## ■ Mounting and Dimensions

Material: ABS resin (Case body)  
 Mounting method: Rack, Wall or DIN rail mounting  
 Connection method: M4 screw terminals  
 External dimensions: 72 × 48 × 127 mm (H × W × D)  
 Weight: DC; Approx.150 g, AC; Approx. 300 g

## ■ Standard Accessories

Tag number label: 1  
 Mounting block: 2  
 Mounting screw: M4 screw x 4

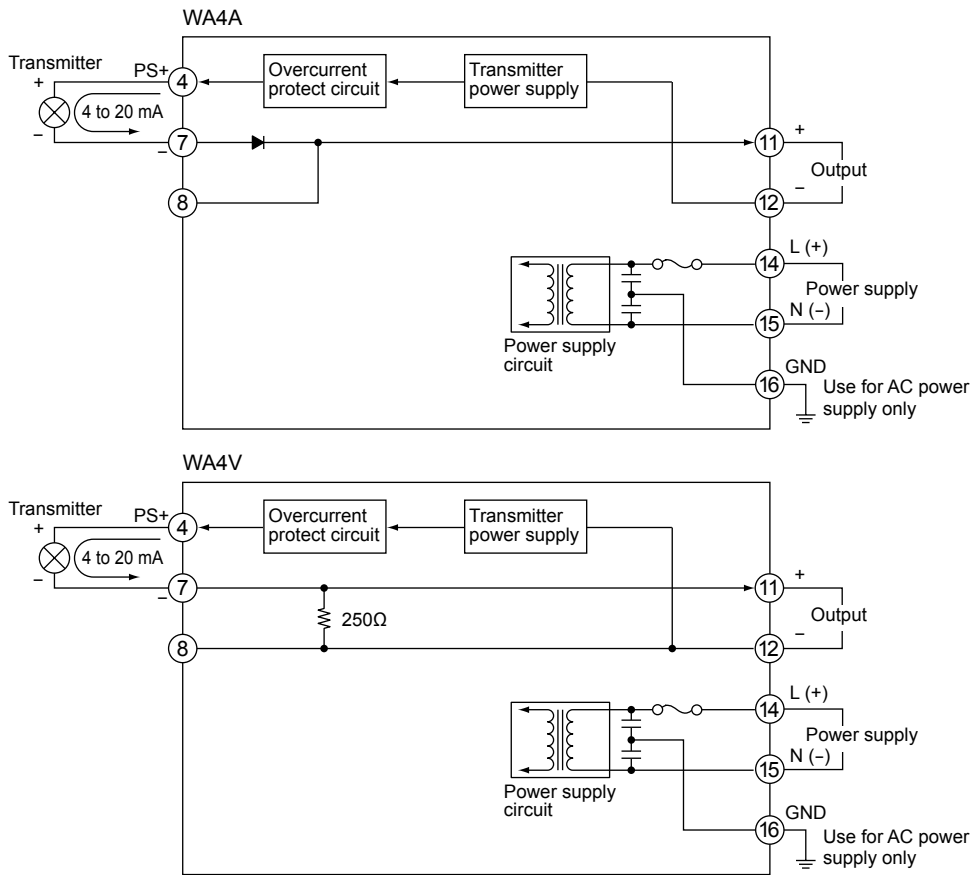
## ■ Terminal Assignments



4	Input	(PS+)
7	Input	(-)
11	Output 1	
12	Output 1	(-)
14	Supply	(L+)
15	Supply	(N-)
16	Ground	(GND)*

\*: Use for AC power supply only.

### ■ Block Diagram



### ■ External Dimensions

