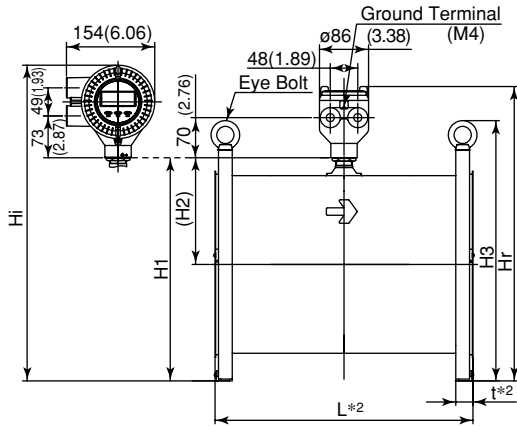
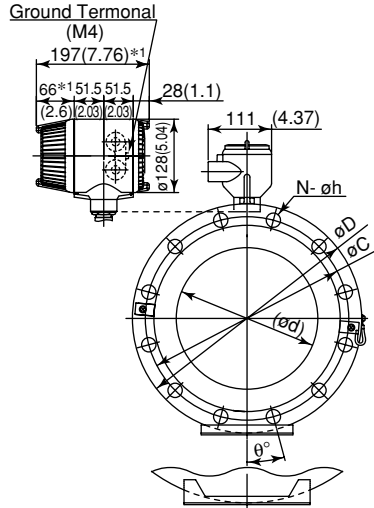


Integral Flowmeter Remote Flowtube



Integral Flowmeter Remote Flowtube



Unit : mm
(approx. inch)

for AXF300, AXF350, AXF400

Fig14E.EPS

*No infra-red switches are furnished for Fieldbus communication type.

Model code:

AXF250 G
AXF300 W
AXF350 C
AXF400 C

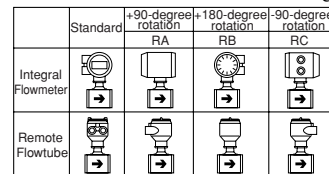
D^{*5} E F G
1 2
A U
N P

□ 1 □
□ 2 □

B J 1
B J 2
B G 1
C J 1 1
C J 2
C G 1
P J 1

*5: D, E, F, G; Integral Flowmeter, N, P: Remote Flowtube

* When option code RA, RB, or RC is selected, the direction of electrical connection change as below.



F19-1E.EPS

*1: When indicator code N is selected, subtract 12mm(0.47inch) from the value in the figure. In case of explosion proof type with indicator, add 5 mm (0.2 inch) to it.
*2: Depending on the selection of grounding ring code and optional code, add the following value to "L"(face-to-face length) and "t"(thickness of flange).

Nominal Size: 250mm to 300mm				
	L	t	L	t
Grounding Ring Code	S, L, H, V		N	
Option Code is "None"	+0	+0	-6(0.24)	-3(0.12)

Nominal Size: 350mm to 400mm				
	L	t	L	t
Grounding Ring Code	S, L, H, V		N	
Option Code is "None"	+0	+0	-10(0.39)	-5(0.20)

*3: When submersible type or option code DHC is selected, waterproof glands and a 30m long cable are attached. Add 9.5kg(20.9lb) to the weight in the table.

Model	Process Connection	BJ1/CJ1 (JIS10K)				PJ1 (JIS10K)				BJ2/CJ2 (JIS20K)		BG1/CG1 (JIS F12)				
		Size code	250	300	350	400	250	300	350	400	250	300	250	300	350	400
	Size	250	300	350	400	250	300	350	400	250	300	250	300	350	400	
	Lining code	A,U	A,U	A,U	A,U	A	A	A	A	A,U	A,U	A,U	A,U	A,U	A,U	
Remote Flowtube	Face-to-face length	L ^{0*2}	450	500	550	600	450	500	550	600	450	500	450	500	550	600
	Outside dia.	øD	400	445	490	560	400	445	490	560	430	480	410	464	530	582
	Thickness	t ^{*2}	32	34	36	38	32	34	36	38	42	44	32	34	36	36
	Inner diameter of Grounding ring	ød	243	291.3	323.4	373.5	243	291.3	323.4	373.5	243	291.3	243	291.3	323.4	373.5
	Pitch circle dia.	øC	355	400	445	510	355	400	445	510	380	430	360	414	472	524
Integral Flowmeter	Bolt hole interval	θ°	15	11.25	11.25	15	11.25	11.25	15	11.25	15	22.5	18	18	15	
	Hole dia.	øh	25	25	25	27	25	25	27	27	27	23	23	25	25	
	Number of holes	N	12	16	16	12	16	16	12	16	8	10	10	12		
	Height	H1	400	447	491	553	400	447	491	553	415	464	405	456	511	564
Remote Flowtube	Max. Height	Hi	524	571	615	677	524	571	615	677	539	588	529	580	635	688
	Weight kg (lb) ^{*3}		70.0	78.0	107.0	135.0	70.0	78.0	107.0	135.0	98.5	114.5	73.4	85.0	121.2	137.0
Integral Flowmeter	Max. Height	Hi	562	609	653	715	562	609	653	715	577	626	567	618	673	726
	Weight kg (lb)		71.7	79.7	108.7	136.7	71.7	79.7	108.7	136.7	100.2	116.2	75.1	86.7	122.9	138.7

T002-13E.EPS

Lining code : A; Fluorocarbon PFA, U; Polyurethane Rubber
D; Natural Soft Rubber, G; EPDM Rubber

Unless otherwise specified, difference in the dimensions are specified as : General tolerance = ± (Criteria of tolerance class IT18 in JIS B0401) / 2

Integral Flowmeter

BRAIN/HART Communication Type

Terminal configuration

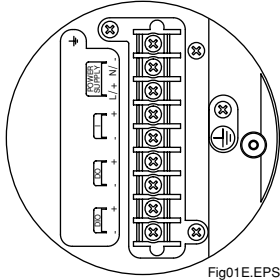


Fig01E.EPS

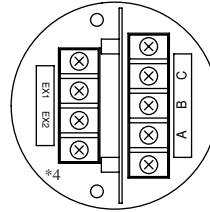
Terminal wiring

Terminal Symbols	Description
	Functional grounding
N/- L/+	Power supply
I+ I-	Current output 4 to 20mA DC
DO+ DO-	Pulse output/Alarm output/ Status output
DIO+ DIO-	Alarm output/Status output Status input
	Protective grounding (Outside of the terminal)

Fig01-2E.EPS

Remote Flowtube

Terminal configuration



*4: In case of explosion proof type, (functional grounding terminal) is added.

Fig02E.EPS

Terminal wiring

Terminal Symbols	Description
A B C	Flow signal output
EX1 EX2	Excitation current input
	Protective grounding (Outside of the terminal)

FOUNDATION Fieldbus/PROFIBUS PA Communication type

Terminal configuration

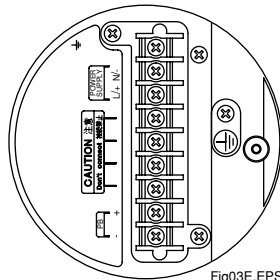


Fig03E.EPS

Terminal wiring

Terminal Symbols	Description
	Functional grounding
N/- L/+	Power supply
FB+ FB-	Fieldbus communication signal
	Protective grounding (Outside of the terminal)

Fig01-3E.EPS