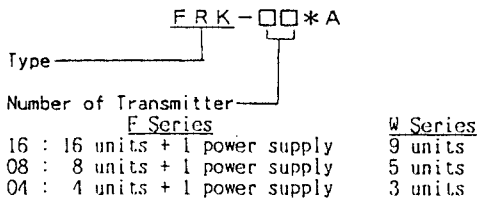


General Specifications

FRK Panel

JUXTA

This panel is JIS EIA standard rack to mount F and W Series JUXTA. Available also wall mounting and can use at any place. Beside transmitter, mountings of power supply unit, distributor unit are available.



In case mixed mounting of transmitter, power supply and distributor units, specify as

FRK-□□/AS

and designate mounting assortment

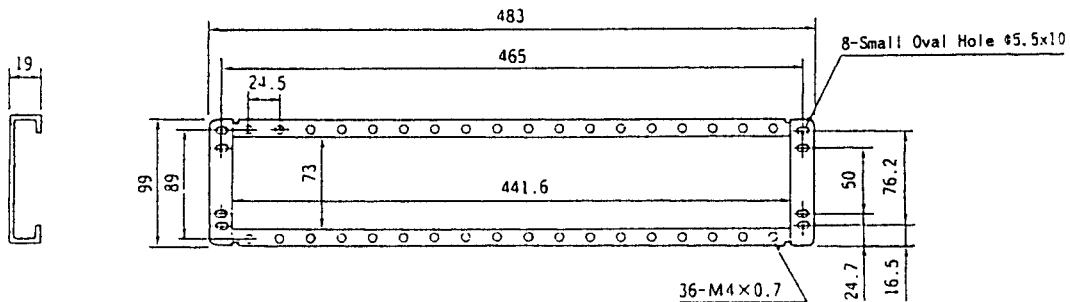
Specifications	
Structure	Metal board structure
Material	SPCC
Gilding	Black gilt finish
Mounting method	JIS, EIA standard rack, angle or wall mountings
Mounting method of transmitter	Front and rear mounting by mounting block
Available capacity to mount	F Series : 16 units + 1 power supply W Series : Maximum 9 units
Dimension & Weight	
Dimension	FRK-16 : W483xH99xD19mm FRK-16/AS : W483xH132xD127mm
	FRK-08 : W287xH99xD19mm FRK-08/AS : W287xH132xD127mm
	FRK-04 : W189xH99xD19mm FRK-04/AS : W189xH132xD127mm
Weight	FRK-16 : Abt. 500g FRK-16/AS : Abt. 2.5kg
	FRK-08 : Abt. 300g FRK-08/AS : Abt. 1.8kg
	FRK-04 : Abt. 170g FRK-04/AS : Abt. 1.3kg

Available mounting capacity of transmitter		
	F Series	W Series
16	16 units + 1 power supply	9 units
08	8 units + 1 power supply	5 units
04	4 units + 1 power supply	3 units

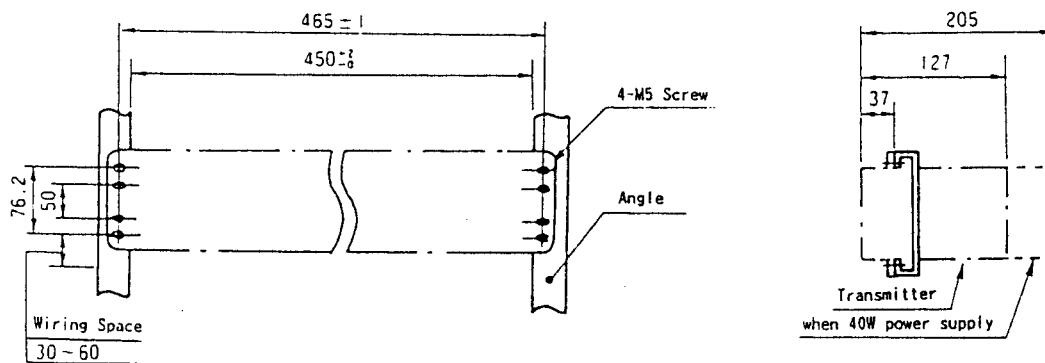
EXTERNAL DIMENSION

● FRK-16 Panel External Dimension

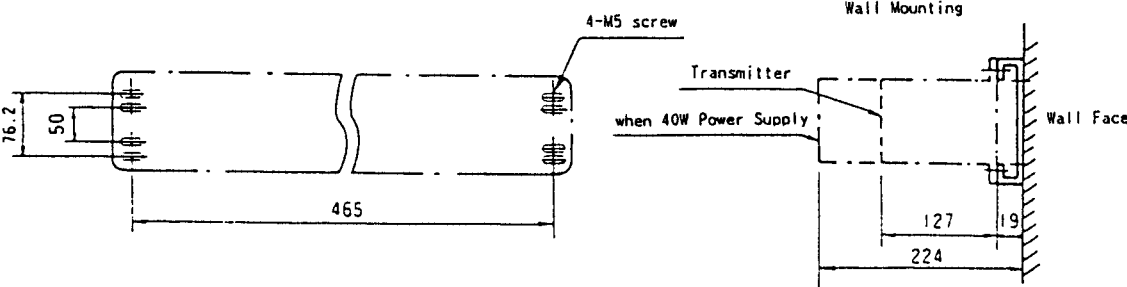
Unit : mm



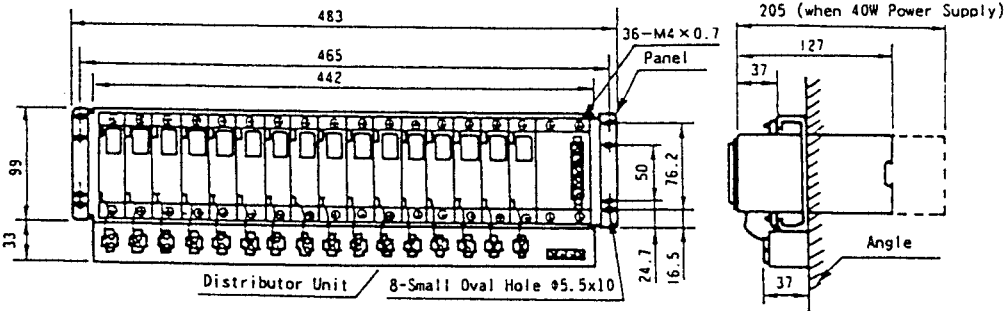
● FRK-16 Rack Mounting



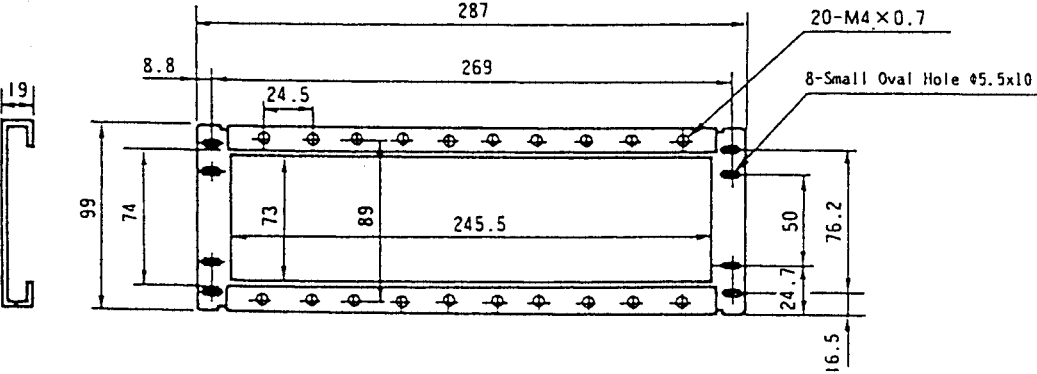
FRK-16 Wall Mounting



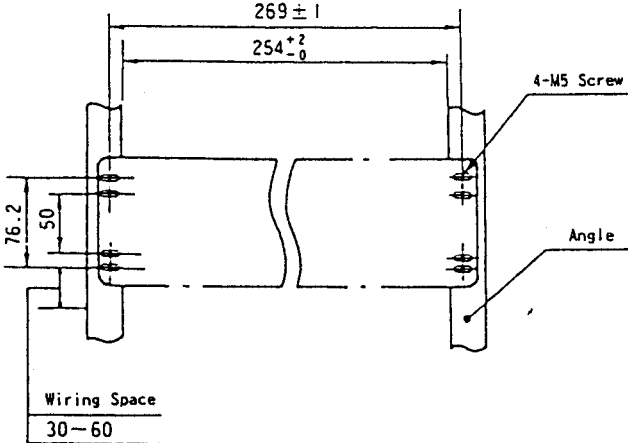
Installing Dimension (FRK-16+FTU-16+FPSU)



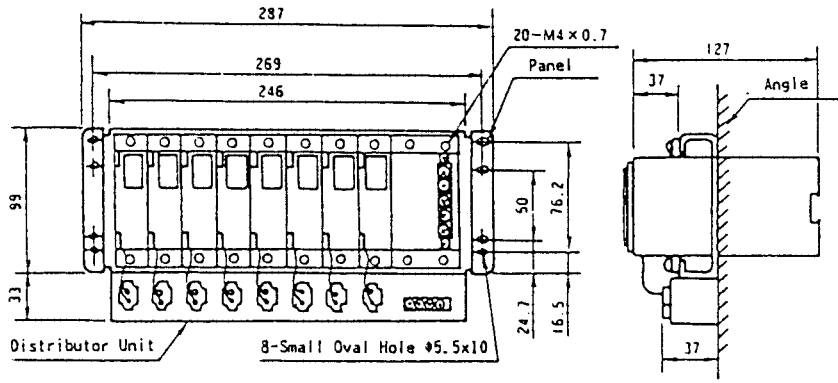
FRK-08 Panel External Dimension



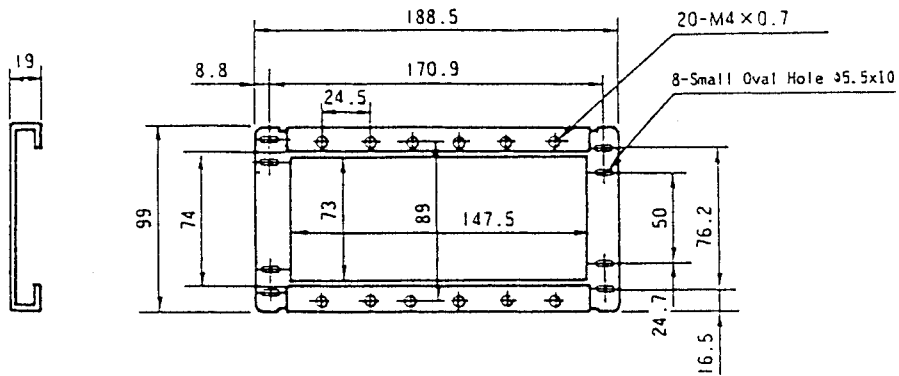
FRK-08 Rack Mounting Dimension



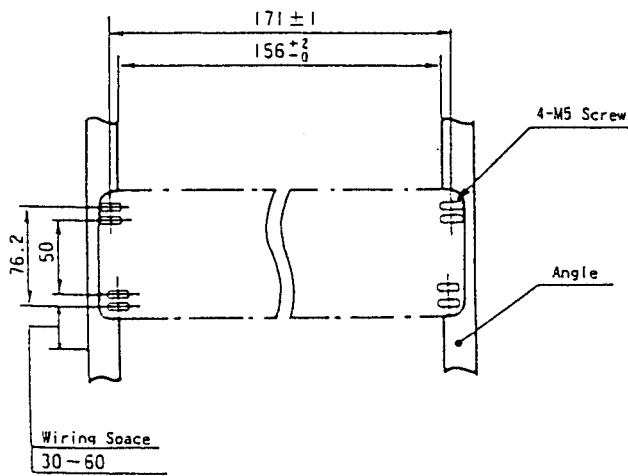
● Installing Dimension (FRK-08+FTU-08+FPSU-12/22)



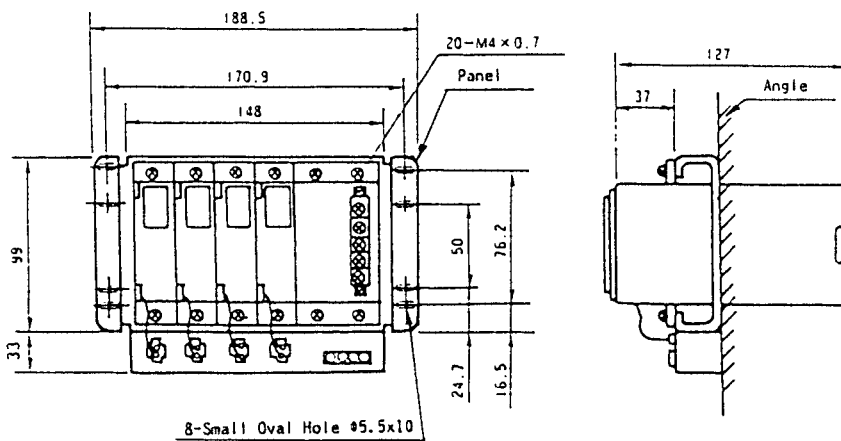
● FRK-04 Panel External Dimension



● FRK-04 Rack Mounting Dimension



● Installing Dimension (FRK-04+FTU-04+FPSU-12/22)



Subject to change without notice for grade up quality and performance

GS JF82-01E