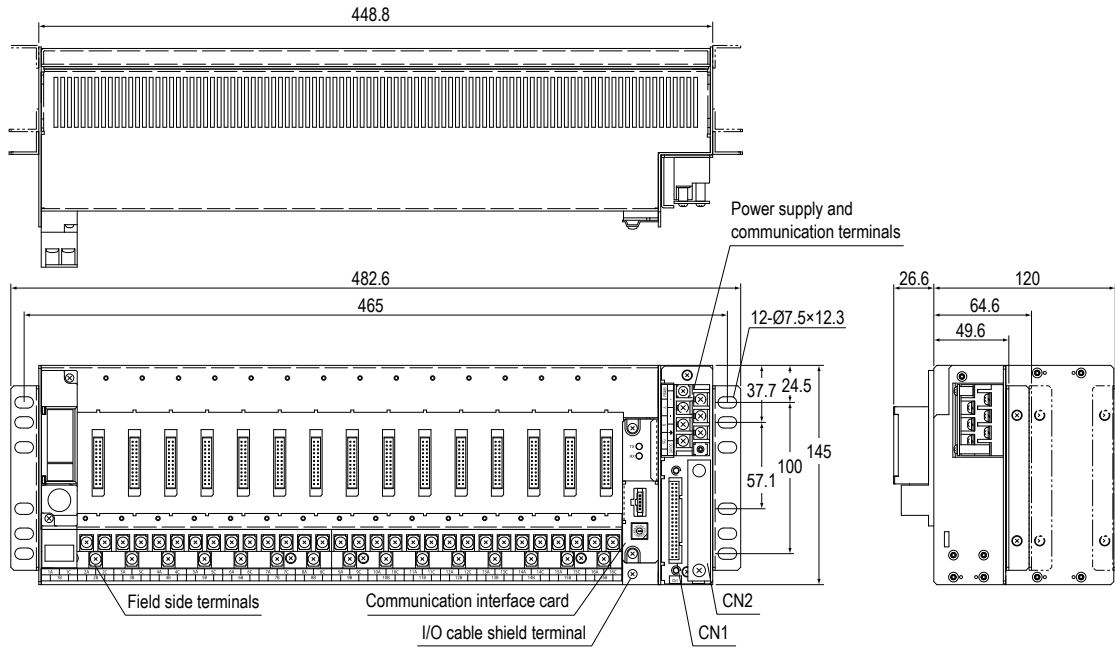


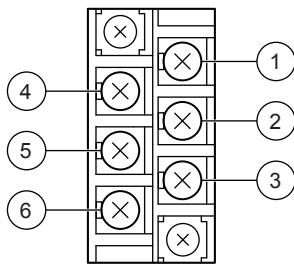
SD 77J05Y51-01E

Unit: mm

### External Dimensions



### Assignment of Power Supply and Communication Terminals



No.	DCE-30*A		DCE-32*A	
1	+	24V DC	+	24V DC
2	-		-	
3	≐	GND	≐	GND
4	/		A(-)	RS-485
5			B(+)	
6			SG	

## Assignment of Input/Output Terminals

Signal Conditioner	Field side I/O Terminal Symbol			Front Terminal Symbol				AIR	
	A	B	C	1	2	3	4		
DM1	+	Not Connected	-	Not Connected	Not Connected	+	-		
						For Output 2			
DT5*B				Not Connected	Not Connected	+	-		
						For Output 2			
DR5				Not Connected	Not Connected	+	-		
						For Output 2			
DRU						+	-		
						For Output 2			
DS1				Not Connected	Not Connected	+	-		
						For Output 2			
DP1	2-wire type (Voltage contact)	+	Not Connected	-	Not Connected	Not Connected	Not Connected		
DP3	Internal power supply 2-wire type	Signal	Power supply	Not Connected			+		-
	Internal power supply 3-wire type	+	Power supply	-			For Output 2		
DH1, DH2, DH5		+	Not Connected	-	Not Connected	Not Connected	+		-
						For Output 2			
DA1, DA2, DA5		Available for the combination with BARD 			Not Connected	Not Connected	+		-
DA7		For 2-wire transmitter					Not Connected		
DH0, DA0, DQ0		+	Not Connected	-	Not Connected	Not Connected	Not Connected		
DX1 (*1)		+	Not Connected	-	Not Connected	Not Connected	Not Connected		
DG1		Not Connected	Not Connected	Not Connected		+	-		
						For Output 2			
DB1		Not Connected	Not Connected	Not Connected		+	-		
						For Output 2			
DD1		Not Connected	Not Connected	Not Connected		+	-		
						For Output 2			
DF1		Not Connected	Not Connected	Not Connected	+	-	Not Connected	IN	
					For Output 2				
DSK		+	Not Connected	-	NO/NC	COM	NO/NC	COM	
					Output 1		Output 2		

• I/O screw terminal: M4 x 0.7, I/O air piping: Rc1/4 female screw, Air supply piping: Rc3/8 female screw

• In case the output 2 signal is DC current, it can be output from either "CN2" or from "Front terminal."

(\*1) 250 Ω installed type cannot be used as output card (even-numbered slot.)

### CAUTION

Connect the input signal line of DG1, DB1, and DD1 to the front terminals 1 and 2 of the signal conditioner. An incorrect connection to the field side terminals of the nest may cause overheating or burning of the nest.