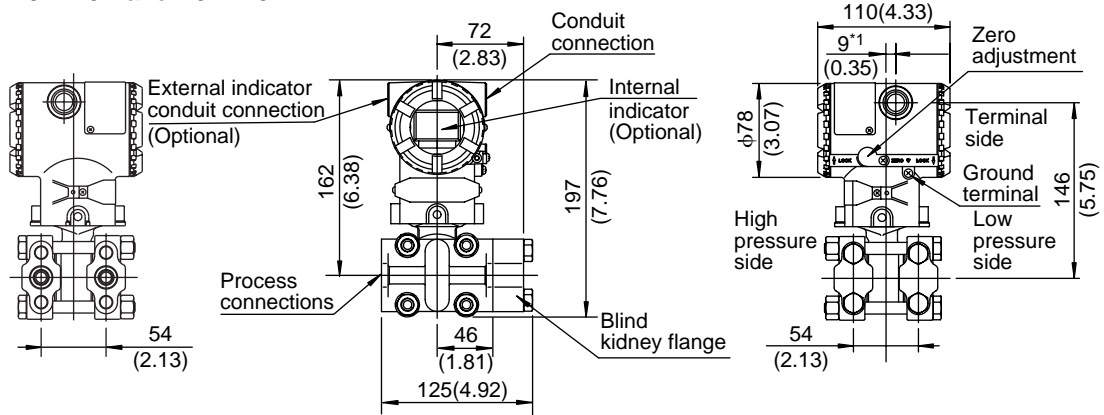
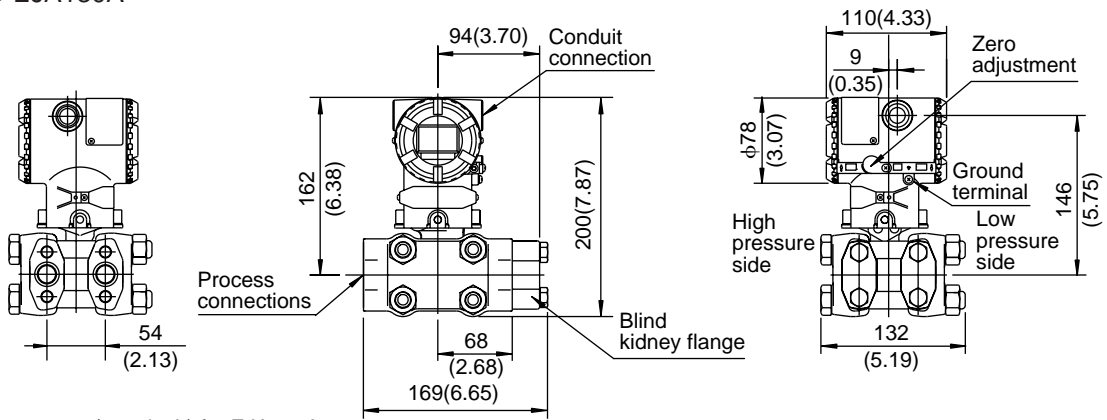


Unit: mm(approx. inch)

### ● EJA110A and EJA120A

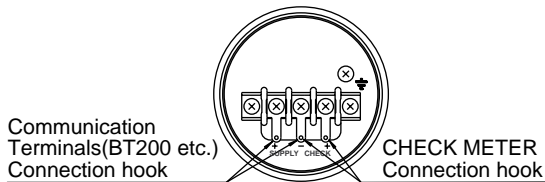


### ● EJA130A



\*1: 12 mm(0.47 inch) for EJA120A.

### ● Terminal Configuration



### ● Terminal Wiring

SUPPLY $\begin{matrix} + \\ - \end{matrix}$	Power supply and output terminal
CHECK $\begin{matrix} + \\ - \end{matrix}$	External indicator(ammeter) terminal
$\text{---} \parallel \text{---}$	Ground terminal