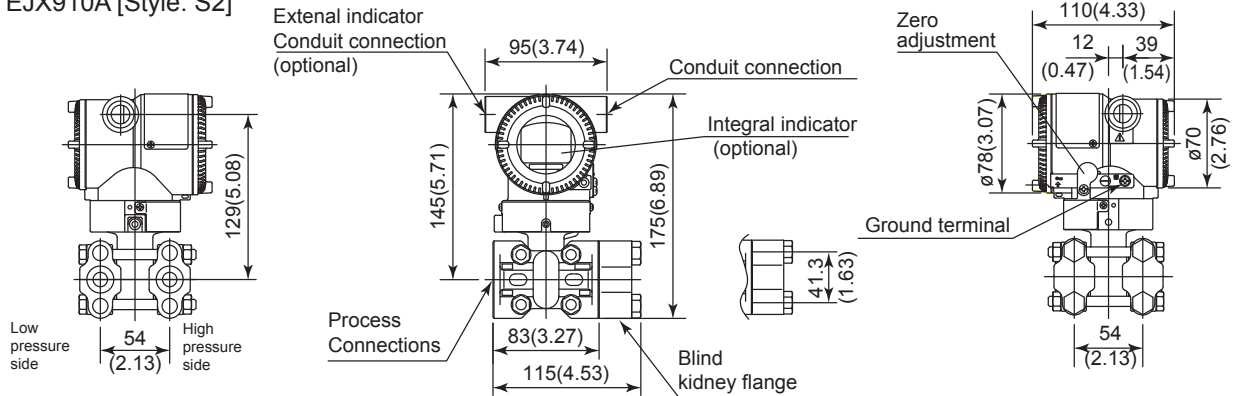


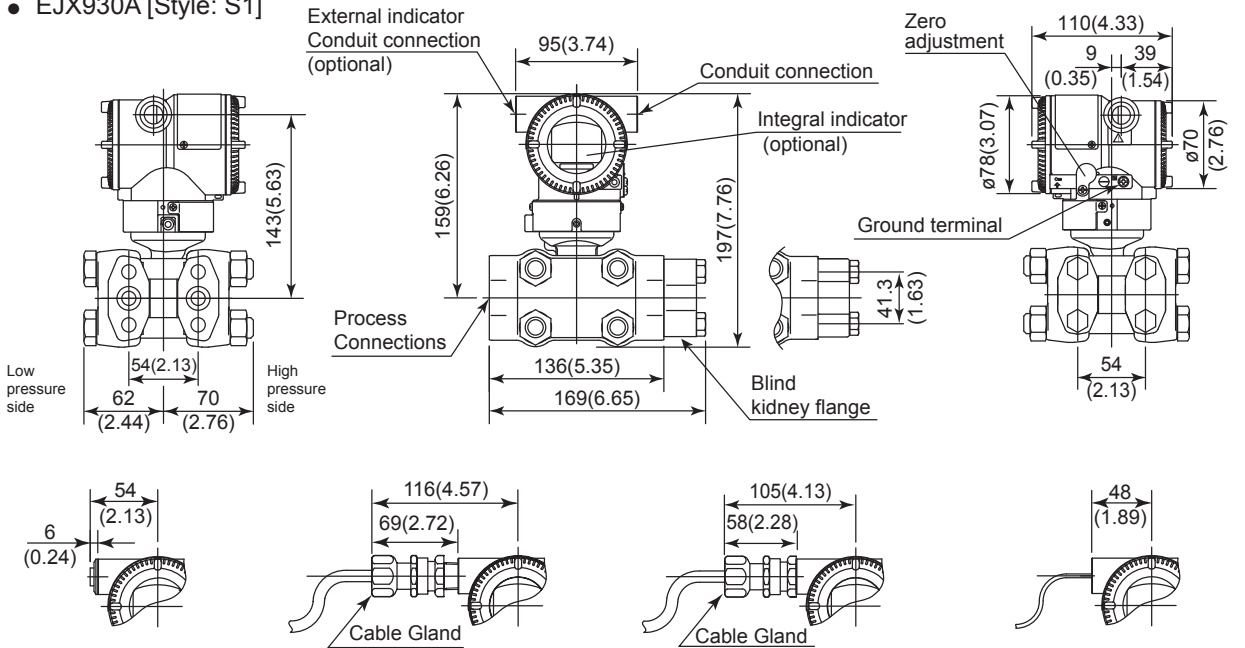
SD 01C25R10-02E

Unit: mm (approx. inch)

• EJX910A [Style: S2]



• EJX930A [Style: S1]



Electrical connection code 9  
External temp. input code 0

Electrical connection code 2  
External temp. input code 1, 2, 3, and 4

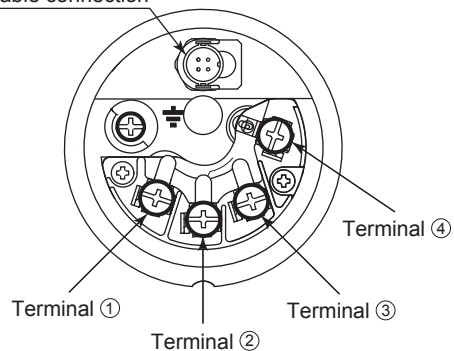
Electrical connection code 4  
External temp. input code 1, 2, 3, and 4

Electrical connection code 2 and 4  
External temp. input code B, C, and D


\*1: When electrical connection code 7 or C is selected, a blind plug is protruded up to 8 mm from the conduit connection.

- Terminal Configuration

RTD cable connection




- Terminal Wiring (HART and FOUNDATION Fieldbus protocol types)

SUPPLY	+	①	] Power supply and output terminals
	-	②	
CHECK	+	③	] External indicator (ammeter) terminals *1*2
	-	②	
PULSE	+	④	] Pulse or status contact output terminals *2
	-	②	
			Ground terminal

\*1: When using an external indicator or check meter, the internal resistance must be  $10\Omega$  or less.

\*2: Not available for FOUNDATION Fieldbus communication type.

- Terminal Wiring (Modbus protocol type)

SUPPLY	+	①	] Power supply terminals
	-	②	
MODBUS	A	③	] Modbus communication (RS-485) terminals
	B	④	
			Ground terminal