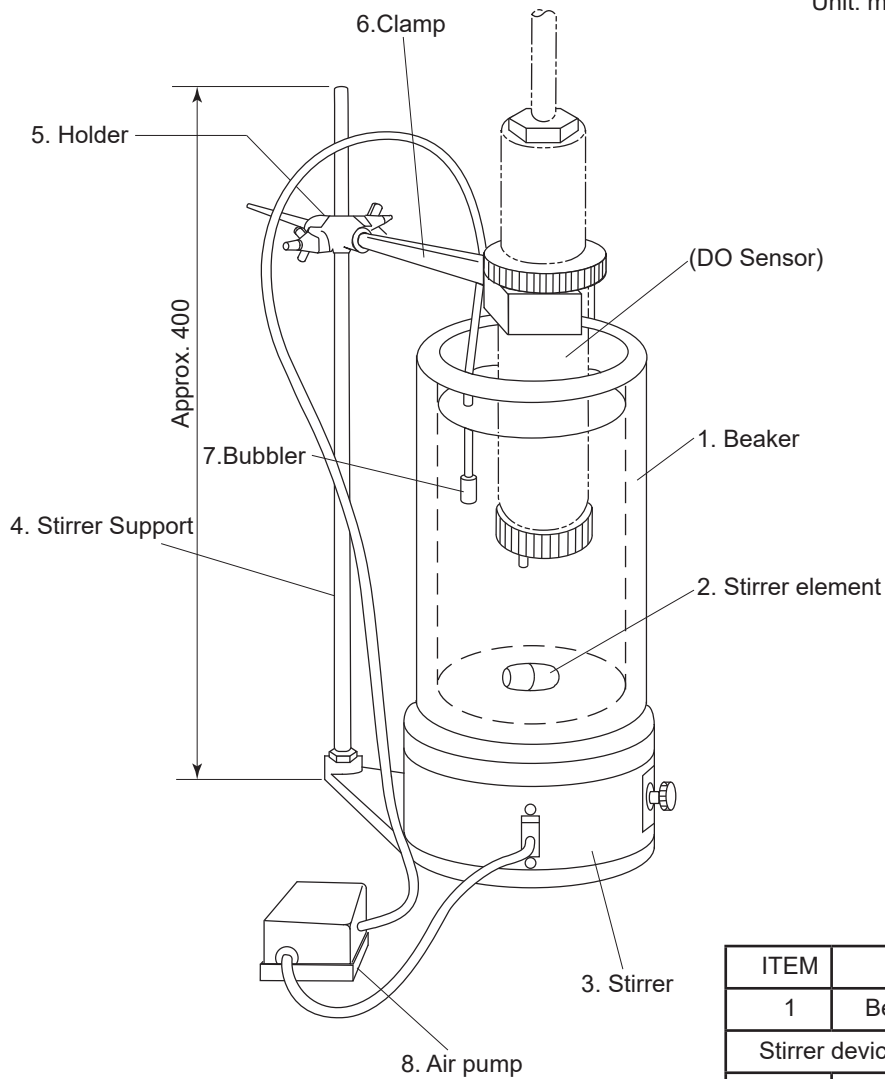


# Drawings

## DOX8W Calibration Set

Unit: mm



ITEM	Description
1	Beaker
Stirrer device	
2	Stirrer element
3	Stirrer
4	Stirrer Support
5	Holder
6	Clamp
Bubbling device	
7	Bubbler
8	Air pump

Unless otherwise specified, differences in the dimensions are specified as: General tolerance =  $\pm$ (Criteria of tolerance class IT18 in JIS B0401-1986)/2.