

---

ABB INDUSTRIAL DRIVES

# ACS880-34 drive modules (132...400 kW, 200...400 hp)

Hardware manual





# ACS880-34 drive modules (132...400 kW, 200...400 hp)

Hardware manual

Table of contents



1. Safety instructions



6. Mechanical installation



8. Electrical installation



13. Start-up





# Table of contents

---

## 1 Safety instructions

Contents of this chapter .....	15
Use of warnings and notes .....	15
General safety in installation, start-up and maintenance .....	16
Electrical safety in installation, start-up and maintenance .....	18
Electrical safety precautions .....	18
Additional instructions and notes .....	20
Optical components .....	20
Printed circuit boards .....	20
Grounding .....	21
General safety in operation .....	22
Additional instructions for permanent magnet motor drives .....	22
Safety in installation, start-up, maintenance .....	22
Safety in operation .....	23

## 2 Introduction to the manual

Contents of this chapter .....	25
Applicability .....	25
Target audience .....	25
Purpose of the manual .....	25
Categorization by frame size and option code .....	25
Quick installation, commissioning and operating flowchart .....	26
Terms and abbreviations .....	27
Related documents .....	29

## 3 Operation principle and hardware description

Contents of this chapter .....	31
Operation principle .....	31
Block diagram of the main circuit of the drive module .....	32
Line-side converter .....	32
AC voltage and current waveforms .....	33
Charging .....	33
Motor-side converter .....	33
DC connection .....	33
Layout .....	34
Standard drive module configuration .....	34
Drive module .....	35
LCL filter module .....	36
Drive module with full power cabling panels (option +H381) .....	37
Drive module without full-size output cable connection terminals (option +0H371) and IP20 shrouds (option +0B051) and with common mode filter (option +E208) .....	38
Control panel .....	39
Overview of power and control connections .....	40
Type designation label .....	41

---

Type designation key .....	41
Basic code .....	42
Option codes .....	42

#### **4 Generic cabinet planning instructions**

Contents of this chapter .....	45
Limitation of liability .....	45
Cabinet construction .....	45
Disposition of the devices .....	45
Grounding of mounting structures .....	46
Busbar material and joints .....	46
Shrouds .....	46
Tightening torques .....	46
Electrical connections .....	46
Mechanical connections .....	46
Insulation supports .....	47
Cable lugs .....	47
Cooling and degrees of protection .....	47
Planning the cooling .....	47
Air inlets and outlets .....	47
Preventing the recirculation of hot air .....	49
EMC requirements .....	49
Attaching the cabinet .....	51
Cabinet placement on a cable channel .....	52
Heaters .....	52
Mounting the control panel on the cabinet door .....	53

#### **5 Guidelines for planning the mechanical installation**

Contents of this chapter .....	55
Installation positions of the drive module .....	55
Layout example, door closed .....	56
Layout example, door open (standard drive module configuration) .....	57
Layout example, door open (option +0B051) .....	58
Cooling solutions .....	59
Preventing the recirculation of hot air .....	60
Bookshelf mounting (standard drive module configuration) .....	60
Bookshelf mounting (option +0B051) .....	61
Bookshelf mounting (option +H381) .....	62
Required free space .....	62
Free space at the top of the drive module .....	62
Free space around the drive module .....	63
ABB air inlet and outlet kits .....	63

#### **6 Mechanical installation**

Contents of this chapter .....	65
Examining the installation site .....	65
Moving and unpacking .....	65
Package drawings .....	66
Drive module package without option +E202 .....	66
Package with option +E202 .....	67
Boxes .....	68



LCL filter module package .....	71
Examining the delivery .....	72
Lifting .....	72
Attaching the drive module and LCL filter module to a mounting plate or wall .....	72
Attaching the drive module to the LCL filter module .....	73
Attaching the drive module and the LCL filter module to the enclosure base .....	73
Grounding the drive module and the LCL filter module .....	73
Installing the drive in Rittal VX25 enclosure .....	73
Optional input power cable connection terminals and ground busbar assembly (+H370) ..	74
Drive module without full-size output cable connection terminals (option +0H371) and IP20 shrouds (option +0B051) .....	74

## **7 Guidelines for planning the electrical installation**

Contents of this chapter .....	75
Limitation of liability .....	75
Selecting the main supply disconnecting device .....	75
European Union .....	75
North America .....	76
Other regions .....	76
Selecting the main contactor .....	76
North America .....	76
Other regions .....	76
Examining the compatibility of the motor and drive .....	76
Protecting the motor insulation and bearings .....	76
Requirements table .....	77
Availability of $du/dt$ filter and common mode filter by drive type .....	80
Additional requirements for explosion-safe (EX) motors .....	80
Additional requirements for ABB motors of types other than M2_, M3_, M4_, HX_ and AM_ .....	80
Additional requirements for the regenerative and low harmonics drives .....	80
Additional requirements for ABB high-output and IP23 motors .....	80
Additional requirements for non-ABB high-output and IP23 motors .....	80
Additional data for calculating the rise time and the peak line-to-line voltage .....	81
Additional note for sine filters .....	82
Selecting the power cables .....	82
General guidelines .....	82
Typical power cable sizes .....	83
Power cable types .....	83
Preferred power cable types .....	83
Alternate power cable types .....	84
Not allowed power cable types .....	85
Additional guidelines, North America .....	85
Metal conduit .....	86
Power cable shield .....	86
Selecting the control cables .....	87
Shielding .....	87
Signals in separate cables .....	87
Signals that can be run in the same cable .....	87
Relay cable .....	87
Control panel to drive cable .....	87
PC tool cable .....	88



Routing the cables .....	88
General guidelines – IEC .....	88
General guidelines – North America .....	88
Continuous motor cable shield/conduit or enclosure for equipment on the motor cable .....	89
Separate control cable ducts .....	89
Implementing motor and motor cable short-circuit and thermal overload protection .....	90
Protecting the motor and motor cable in short-circuits .....	90
Protecting the motor cables against thermal overload .....	90
Protecting the motor against thermal overload .....	90
Protecting the motor against overload without thermal model or temperature sensors ..	90
Protecting the drive and the input power cable in short-circuits .....	91
Protecting the drive against thermal overload .....	91
Protecting the input power cable against thermal overload .....	91
Implementing a motor temperature sensor connection .....	91
Connecting motor temperature sensor to the drive via an option module .....	92
Protecting the drive against ground faults .....	93
Residual current device compatibility .....	93
Implementing the Emergency stop function .....	93
Implementing the Safe torque off function .....	93
Implementing the undervoltage control (Power-loss ride-through) .....	93
Implementing the functions provided by the FSO-xx safety functions module .....	94
Using power factor compensation capacitors with the drive .....	94
Using a safety switch between the drive and the motor .....	94
Implementing an ATEX-certified motor thermal protection .....	94
Controlling a contactor between drive and motor .....	95
Implementing a bypass connection .....	95
Example bypass connection .....	96
Switching the motor power supply from drive to direct-on-line .....	96
Switching the motor power supply from direct-on-line to drive .....	97
Protecting the contacts of relay outputs .....	97

## 8 Electrical installation

Contents of this chapter .....	99
Safety .....	99
Grounding the motor cable shield at the motor end .....	99
Measuring the insulation .....	100
Measuring the insulation of the drive .....	100
Measuring the insulation of the input power cable .....	100
Measuring the insulation of the motor and motor cable .....	100
Measuring the insulation of brake resistor and resistor cable .....	100
Grounding system compatibility check .....	100
Installing the EMC filter (option +E202) .....	101
Connecting the power cables .....	101
Power cable connection diagram .....	102
Preparing the cable ends and making 360-degree grounding at the cable entry .....	104
Power cable connection procedure .....	105
Removing the control panel holder from the external control unit .....	106
Attaching the control cable clamp plate .....	106
Connecting the external control unit to the drive module .....	107
External control unit connection cables .....	107
Routing the external control unit cables into the drive module .....	108



Connecting control cables to the drive module .....	108
Connecting control cables to the control unit .....	108
Attaching the external control unit .....	109
Attaching the external control unit to a mounting plate or wall .....	110
Attaching the external control unit vertically on a DIN rail .....	110
Attaching the external control unit horizontally on a DIN rail .....	111
Connecting the control cables to the terminals of the external control unit .....	112
Connecting a control panel .....	112
Panel bus (Control of several units from one control panel) .....	113
Panel bus wiring with FDPI-02 – single drive .....	116
Panel bus wiring with FDPI-02 and ZDPI-01 – several drives .....	117
Panel bus wiring with FDPI-02 – several drives .....	117
Connecting a PC .....	118
Installing option modules .....	118
Installing the FSO-xx safety functions module .....	118
Installing I/O extension, fieldbus adapter and pulse encoder interface modules .....	119
Wiring the option modules .....	120

## **9 External control unit**

Contents of this chapter .....	121
ZCU-14 layout .....	122
Default I/O diagram of the drive control unit (ZCU-1x) .....	123
Additional information on the connections .....	125
External power supply for the control unit (XPOW) .....	125
DI6 as a PTC sensor input .....	125
AI1 or AI2 as a Pt100, Pt1000, PTC or KTY84 sensor input .....	125
DIIL input .....	126
The XD2D connector .....	126
Safe torque off (XSTO) .....	127
FSO-xx safety functions module connection (X12) .....	127
Connector data .....	128
ZCU-1x ground isolation diagram .....	130

## **10 Installation example of the standard drive module configuration in Rittal VX25 enclosure**

Contents of this chapter .....	131
Limitation of liability .....	131
Safety .....	131
Required parts .....	132
Required tools .....	132
Overall flowchart of the installation process .....	132
Installing the drive module and LCL filter module into an enclosure .....	133
Connecting the motor cables and installing the shrouds .....	134
Connecting the input cables and installing the shrouds .....	135
Installing the air baffles .....	136
Installing the roof and door (Rittal parts) .....	137
Removing the protective covering from the drive module and LCL filter module air outlet .....	138

## **11 Installation example with full cabling panels (option +H381)**

Contents of this chapter .....	139
Limitation of liability .....	139



Safety .....	139
Required parts .....	140
Required tools .....	140
Overall flowchart of the installation process .....	141
Installing the mechanical accessories into a enclosure .....	141
Connecting the power cables .....	143
Connection diagram .....	143
Power cable connection procedure .....	144
Installing the drive module into the enclosure .....	146
Installation procedure .....	147
Assembly drawing of connecting the drive module to the cabling panels .....	148
Installing air baffles (non-ABB parts) .....	149
Miscellaneous .....	149
Installing the rubber grommet .....	149

## **12 Installation checklist**

Contents of this chapter .....	151
Checklist .....	151

## **13 Start-up**

Contents of this chapter .....	153
Start-up procedure .....	153

## **14 Fault tracing**

Contents of this chapter .....	155
LEDs .....	155
Warning and fault messages .....	155

## **15 Maintenance**

Contents of this chapter .....	157
Maintenance intervals .....	157
Descriptions of symbols .....	157
Recommended annual maintenance actions by the user .....	157
Recommended maintenance intervals after start-up .....	158
Recommended functional safety actions .....	158
Cleaning the interior of the cabinet .....	158
Cleaning the interior of the heatsink .....	159
Cleaning the interior of the LCL filter .....	160
Fans .....	160
Replacing the auxiliary cooling fans of the drive module .....	160
Replacing the drive module main cooling fans .....	161
Replacing the LCL filter module cooling fan .....	162
Replacing the standard drive module .....	163
Replacing the LCL filter module .....	166
Replacing the drive module with option +H381 .....	166
Replacing the LCL filter module with option +H381 .....	168
Capacitors .....	169
Reforming the capacitors .....	169
Control panel .....	169
Cleaning the control panel .....	169
Replacing the battery .....	169

---



Replacing the ZCU-14 control unit battery .....	170
Replacing the ZCU-12 control unit battery .....	171
Memory unit .....	171
Replacing the memory unit of ZCU-14 .....	171
Replacing the memory unit of the line-side converter control unit (ZCU-12) .....	171
Functional safety components .....	172

## **16 Ordering information**

Contents of this chapter .....	173
ACS-AP-W and ACS-AP-I control panel .....	173
Control panel mounting platforms .....	173
Brake choppers and resistors .....	174
Output ( $du/dt$ ) filters .....	174
Sine filters .....	174
EMC filter ARFI-10 .....	174
Cabinet ventilation .....	174
Air inlet kits .....	174
Air outlet kits .....	176
Cooling fans .....	177
FSO accessories kit .....	178
Control panel mounting platforms .....	178
Retrofit accessory kits .....	178

## **17 Technical data**

Contents of this chapter .....	179
Ratings .....	179
When is derating necessary .....	181
Surrounding air temperature derating .....	181
Altitude derating .....	182
Deratings for special settings in the drive control program .....	182
High speed mode .....	184
Derating for output voltage boosting .....	185
400 V and 500 V drive types .....	185
575 V and 690 V drives .....	185
Fuses (IEC) .....	187
Fuses (UL) .....	188
Circuit breakers (UL) .....	189
Dimensions, weights and free space requirements .....	189
Losses, cooling data and noise .....	190
Typical power cable sizes .....	190
Terminal and entry data for the power cables .....	191
Units with optional cabling panels (+H381) .....	192
Units without full-size output cable connection terminals (+0H371) and with a common mode filter (+E208) .....	192
Terminal data for the control cables .....	192
Electrical power network specification .....	192
Motor connection data .....	193
DC connection data .....	194
Control panel type .....	194
Efficiency .....	195
Protection classes for module .....	195

---



Ambient conditions .....	195
Materials .....	196
Applicable standards .....	197
Markings .....	197
EMC compliance (IEC/EN 61800-3:2004) .....	198
Definitions .....	198
Category C2 .....	198
Category C3 .....	199
Category C4 .....	200
UL and CSA checklist .....	200
EU Declaration of Conformity (Machinery Directive) .....	201
Disclaimers .....	201
Generic disclaimer .....	201
Cybersecurity disclaimer .....	202

### **18 Dimension drawings**

Contents of this chapter .....	203
Standard configuration .....	204
Location of power cable connection terminals with options +H370, +H356 .....	205
Drive module with options +0B051+H356+0H371 .....	206
Configuration with option +H381 .....	207
LCL filter module .....	208
Bottom plate .....	209
Air baffles .....	210
Material of the air baffles .....	210
Air baffles for option +H381 in 800 mm wide Rittal VX25 enclosure .....	211
External control unit .....	212

### **19 Example circuit diagrams**

Contents of this chapter .....	213
Example circuit diagram .....	213

### **20 The Safe torque off function**

Contents of this chapter .....	215
Description .....	215
Compliance with the European Machinery Directive .....	216
Wiring .....	217
Activation switch .....	217
Cable types and lengths .....	217
Grounding of protective shields .....	217
Single drive (internal power supply) .....	218
Dual-channel connection .....	218
Single-channel connection .....	219
Multiple drives .....	220
Internal power supply .....	220
External power supply .....	221
Operation principle .....	222
Start-up including validation test .....	223
Competence .....	223
Validation test reports .....	223
Validation test procedure .....	223



Use .....	225
Maintenance .....	226
Competence .....	226
Fault tracing .....	227
Safety data .....	228
Abbreviations .....	228
TÜV certificate .....	229
Declaration of conformity .....	230

## **21 Resistor braking**

Contents of this chapter .....	231
Operation principle and hardware description .....	231
Planning the braking system .....	231
Selecting the default brake circuit components - ABB chopper and ABB resistor ....	231
Calculating the maximum allowed braking power for a custom duty cycle – ABB chopper and ABB resistor .....	232
Example .....	232
Selecting the default brake circuit components - ABB brake chopper and custom resistor .....	233
Selecting custom resistors .....	234
Calculating the maximum allowed braking power for a custom duty cycle – ABB chopper and custom resistor .....	235
Example 1 .....	235
Example 2 .....	235
Selecting and routing brake resistor cables .....	236
Minimizing electromagnetic interference .....	236
Maximum cable length .....	236
Placing the brake resistor .....	236
Protecting the system against thermal overload .....	237
Protecting the resistor cable against short-circuits .....	237
Mechanical installation of resistors .....	237
Electrical installation .....	237
Measuring the insulation of the brake resistor circuit .....	237
Connection diagram .....	238
Connection procedure .....	238
Start-up .....	239
Technical data .....	240
Ratings .....	240
ABB brake chopper and DC fuse ratings .....	240
ABB brake resistor ratings .....	241
ABB resistors (SAFUR) - additional data .....	242
Dimensions, weights and ordering codes .....	242
Brake chopper types and ordering codes .....	242
Terminals and cable entry data .....	242

## **22 Filters**

Contents of this chapter .....	243
$du/dt$ filters .....	243
When is a $du/dt$ filter necessary? .....	243
Selection table .....	243
Ordering codes .....	243

---

Description, installation and technical data of the FOCH filters .....	244
Sine filters .....	244
When is a sine filter necessary? .....	244
Selection table .....	244
ABB ordering codes .....	244
Derating .....	244
Description, installation and technical data of the sine filters .....	244

**23 Step-by-step drawings for an installation example of standard drive configuration in Rittal VX25 800 mm wide enclosure**

Handling the drive module, power cable connection diagram .....	245
Installing the drive module and LCL filter module into a Rittal VX25 enclosure .....	247
Connecting the motor cables and installing the shrouds .....	252
Connecting the input power cables and installing the shrouds .....	255
Installing the air baffles and removing the cardboard covers .....	256

*Further information*



# 1

## Safety instructions

---



### Contents of this chapter

This chapter contains the safety instructions which you must obey when you install, start up, operate and do maintenance work on the drive. If you ignore the safety instructions, injury, death or damage can occur.

### Use of warnings and notes

Warnings tell you about conditions which can cause injury or death, or damage to the equipment. They also tell you how to prevent the danger. Notes draw attention to a particular condition or fact, or give information on a subject.

The manual uses these warning symbols:

**WARNING!**

Electricity warning tells about hazards from electricity which can cause injury or death, or damage to the equipment.

---

**WARNING!**

General warning tells about conditions, other than those caused by electricity, which can cause injury or death, or damage to the equipment.

---

**WARNING!**

Electrostatic sensitive devices warning tells you about the risk of electrostatic discharge which can cause damage to the equipment.

---

## General safety in installation, start-up and maintenance

These instructions are for all personnel who do work on the drive.

---

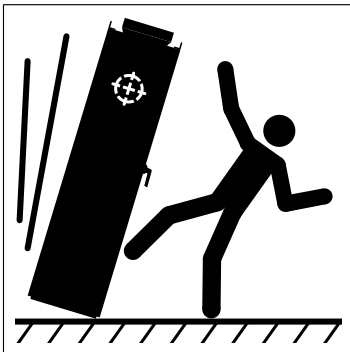


### WARNING!

Obey these instructions. If you ignore them, injury or death, or damage to the equipment can occur.

---

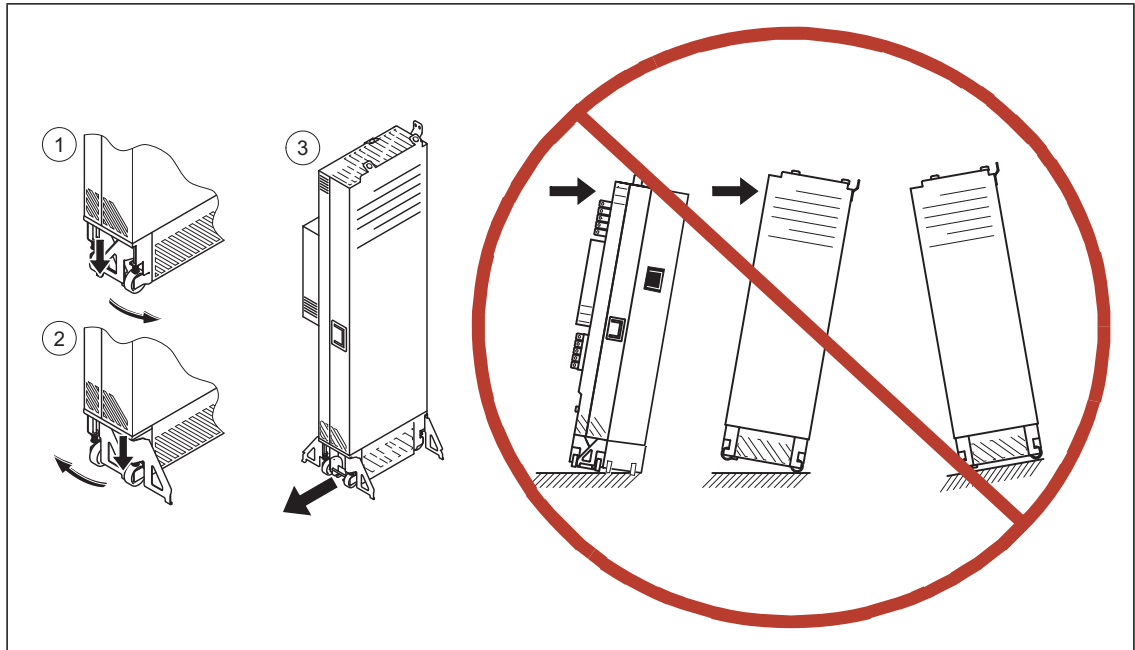
- Keep the drive in its package until you install it. After unpacking, protect the drive from dust, debris and moisture.
- Use the required personal protective equipment: safety shoes with metal toe cap, safety glasses, protective gloves and long sleeves, etc. Some parts have sharp edges.
- Lift a heavy drive with a lifting device. Use the designated lifting points. See the dimension drawings.
- Incorrect lifting can cause danger or damage. Obey the local laws and regulations applicable to lifting, such as requirements for planning the lift, for capacity and condition of lifting equipment, and for training of personnel.
- Attach the drive cabinet to the floor to prevent it from toppling over. The cabinet has a high center of gravity. When you pull out heavy components or power modules, there is a risk of overturning. Attach the cabinet also to the wall when necessary.



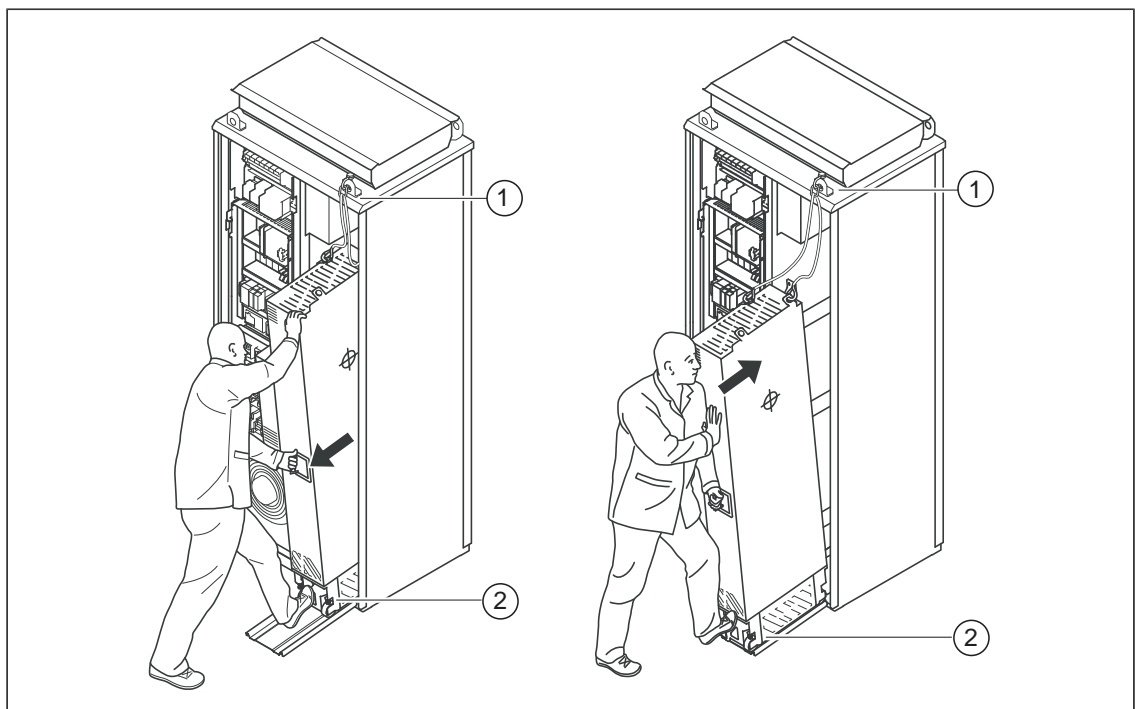
- Do not use the module extraction/installation ramp with plinth heights which exceeds the maximum allowed height.
  - Attach the module extraction/installation ramp carefully.
-



- Make sure that the module does not topple over when you move it on the floor: To open the support legs, press each leg a little down and turn it aside (1, 2). Whenever possible attach the module also with chains. Do not tilt the drive module. It is heavy and its center of gravity is high. The module overturns from a sideways tilt of 5 degrees. Do not leave the module unattended on a sloping floor.



- To prevent the drive module from falling, attach its top lifting lugs with chains to the cabinet (1) before you push the module into the cabinet and pull it from the cabinet. Push the module into the cabinet and pull it from the cabinet carefully preferably with help from another person. Keep a constant pressure with one foot on the base of the module (2) to prevent the module from falling on its back.



- Beware of hot surfaces. Some parts, such as heatsinks of power semiconductors, and brake resistors, remain hot for a while after disconnection of the electrical supply.
- Vacuum clean the area around the drive before the start-up to prevent the drive cooling fan from drawing the dust inside the drive.
- Make sure that debris from drilling, cutting and grinding does not enter the drive during the installation. Electrically conductive debris inside the drive may cause damage or malfunction.
- Make sure that there is sufficient cooling. See the technical data.
- Keep the cabinet doors closed when the drive is powered. With the doors open, a risk of a potentially fatal electric shock, arc flash or high-energy arc blast exists. If you cannot avoid working on a powered drive, obey the local laws and regulations on live working (including – but not limited to – electric shock and arc protection).
- Before you adjust the drive operation limits, make sure that the motor and all driven equipment can operate throughout the set operation limits.
- Before you activate the automatic fault reset or automatic restart functions of the drive control program, make sure that no dangerous situations can occur. These functions reset the drive automatically and continue operation after a fault or supply break. If these functions are activated, the installation must be clearly marked as defined in IEC/EN 61800-5-1, subclause 6.5.3, for example, "THIS MACHINE STARTS AUTOMATICALLY".
- The maximum drive power cycles is five times in ten minutes. Power cycling the drive too often can damage the charging circuit of the DC capacitors.
- If you have connected safety circuits to the drive (for example, Safe torque off or emergency stop), validate them at start-up. See separate instructions for the safety circuits.
- Beware of hot air exiting from the air outlets.
- Do not cover the air inlet or outlet when the drive is running.

**Note:**

- If you select an external source for the start command and it is on, the drive will start immediately after fault reset unless you configure the drive for pulse start. See the firmware manual.
- If the drive is in remote control mode, you cannot stop or start the drive with the control panel.
- Only authorized persons are allowed to repair a malfunctioning drive.

## Electrical safety in installation, start-up and maintenance

### ■ Electrical safety precautions

These electrical safety precautions are for all personnel who do work on the drive, motor cable or motor.



**WARNING!**

Obey these instructions. If you ignore them, injury or death, or damage to the equipment can occur.

If you are not a qualified electrical professional, do not do installation or maintenance work.

Go through these steps before you begin any installation or maintenance work.

1. Clearly identify the work location and equipment.
2. Disconnect all possible voltage sources. Make sure that re-connection is not possible. Lock out and tag out.
  - Open the main disconnecting device of the drive.
  - Open the charging switch if present.
  - Open the disconnecter of the supply transformer. (The main disconnecting device in the drive cabinet does not disconnect the voltage from the AC input power busbars of the drive cabinet.)
  - Open the auxiliary voltage switch-disconnector (if present), and all other possible disconnecting devices that isolate the drive from dangerous voltage sources.
  - If you have a permanent magnet motor connected to the drive, disconnect the motor from the drive with a safety switch or by other means.
  - Disconnect all dangerous external voltages from the control circuits.
  - After you disconnect power from the drive, always wait 5 minutes to let the intermediate circuit capacitors discharge before you continue.
3. Protect any other energized parts in the work location against contact.
4. Take special precautions when close to bare conductors.
5. Measure that the installation is de-energized. If the measurement requires removal or disassembly of shrouding or other cabinet structures, obey the local laws and regulations applicable to live working (including – but not limited to – electric shock and arc protection).
  - Before and after measuring the installation, verify the operation of the voltage tester on a known voltage source.
  - Make sure that the voltage between the drive input power terminals (L1, L2, L3) and the grounding (PE) busbar is zero.
  - Make sure that the voltage between the drive output terminals (T1/U, T2/V, T3/W) and the grounding (PE) busbar is zero.
  - Make sure that the voltage between the drive DC terminals (UDC+ and UDC-) and the grounding (PE) terminal is zero.
6. Install temporary grounding as required by the local regulations.
7. Ask the person in control of the electrical installation work for a permit to work.



## ■ Additional instructions and notes

---



### **WARNING!**

Obey these instructions. If you ignore them, injury or death, or damage to the equipment can occur.

If you are not a qualified electrical professional, do not do installation or maintenance work.

---

- Keep the cabinet doors closed when the drive is powered. With the doors open, a risk of a potentially fatal electric shock, arc flash or high-energy arc blast exists.
- Make sure that the electrical power network, motor/generator, and environmental conditions agree with the drive data.
- Do not do insulation or voltage withstand tests on the drive.
- If you have a cardiac pacemaker or other electronic medical device, keep away from the area near motor, drive, and the drive power cabling when the drive is in operation. There are electromagnetic fields present which can interfere with the function of such devices. This can cause a health hazard.
- Remove the code labels attached to mechanical parts such as busbars, shrouds and sheet metal parts before installation. They may cause bad electrical connections, or, after peeling off and collecting dust in time, cause arcing or block the cooling air flow.

### **Note:**

- The motor cable terminals of the drive are at a dangerous voltage when the input power is on, regardless of whether the motor is running or not.
- When the input power is on, the drive DC bus is at a dangerous voltage.
- External wiring can supply dangerous voltages to the relay outputs of the control units of the drive.
- The Safe torque off function does not remove the voltage from the main and auxiliary circuits. The function is not effective against deliberate sabotage or misuse.

## **Optical components**

---



### **WARNING!**

Obey these instructions. If you ignore them, damage to the equipment can occur.

---

- Handle the fiber optic cables with care.
- When you unplug the fiber optic cables, always hold the connector, not the cable itself.
- Do not touch the ends of the fibers with bare hands as the ends are extremely sensitive to dirt.
- Do not bend the fiber optic cables too tightly. The minimum allowed bend radius is 35 mm (1.4 in).

## **Printed circuit boards**

---



### **WARNING!**

Use a grounding wrist band when you handle printed circuit boards. Do not touch the boards unnecessarily. The boards contain components sensitive to electrostatic discharge.

---

---

## ■ Grounding

These instructions are for all personnel who are responsible for the grounding of the drive.

---



### **WARNING!**

Obey these instructions. If you ignore them, injury or death, or equipment malfunction can occur, and electromagnetic interference can increase.

If you are not a qualified electrical professional, do not do grounding work.

---

- Always ground the drive, the motor and adjoining equipment. This is necessary for the personnel safety. Proper grounding also reduces electromagnetic emission and interference.
- Make sure that the conductivity of the protective earth (PE) conductors is sufficient. See the electrical planning instructions of the drive. Obey the local regulations.
- Connect the power cable shields to protective earth (PE) terminals of the drive to make sure of personnel safety.
- Make a 360° grounding of the power and control cable shields at the cable entries to suppress electromagnetic disturbances.
- In a multiple-drive installation, connect each drive separately to the protective earth (PE) busbar of the power supply.

### **Note:**

- You can use power cable shields as grounding conductors only when their conductivity is sufficient.
- As the normal touch current of the drive is higher than 3.5 mA AC or 10 mA DC, you must use a fixed protective earth (PE) connection. The minimum size of the protective earth conductor must comply with the local safety regulations for high protective earth conductor current equipment. See standard IEC/EN 61800-5-1 (UL 61800-5-1) and the electrical planning instructions of the drive.



## General safety in operation

These instructions are for all personnel that operate the drive.



### WARNING!

Obey these instructions. If you ignore them, injury or death, or damage to the equipment can occur.

- Keep the cabinet doors closed when the drive is powered. With the doors open, a risk of a potentially fatal electric shock, arc flash or high-energy arc blast exists.
- If you have a cardiac pacemaker or other electronic medical device, keep away from the area near motor, drive, and the drive power cabling when the drive is in operation. There are electromagnetic fields present which can interfere with the function of such devices. This can cause a health hazard.
- Give a stop command to the drive before you reset a fault. If you have an external source for the start command and the start is on, the drive will start immediately after the fault reset, unless you configure the drive for pulse start. See the firmware manual.
- Before you activate the automatic fault reset or automatic restart functions of the drive control program, make sure that no dangerous situations can occur. These functions reset the drive automatically and continue operation after a fault or supply break. If these functions are activated, the installation must be clearly marked as defined in IEC/EN 61800-5-1, subclause 6.5.3, for example, "THIS MACHINE STARTS AUTOMATICALLY".

### Note:

- The maximum drive power cycles is five times in ten minutes. Power cycling the drive too often can damage the charging circuit of the DC capacitors. If you need to start or stop the drive, use the control panel keys or commands through the I/O terminals of the drive.
- If the drive is in remote control mode, you cannot stop or start the drive with the control panel.

## Additional instructions for permanent magnet motor drives

### ■ Safety in installation, start-up, maintenance

These are additional warnings concerning permanent magnet motor drives. The other safety instructions in this chapter are also valid.



### WARNING!

Obey these instructions. If you ignore them, injury or death, or damage to the equipment can occur.

If you are not a qualified electrical professional, do not do installation or maintenance work.

- Do not do work on the drive when a rotating permanent magnet motor is connected to it. A rotating permanent magnet motor energizes the drive including its input and output power terminals.

Before installation, start-up and maintenance work on the drive:

- Stop the drive.
- Disconnect the motor from the drive with a safety switch or by other means.
- If you cannot disconnect the motor, make sure that the motor cannot rotate during work. Make sure that no other system, like hydraulic crawling drives, can rotate the motor directly or through any mechanical connection like felt, nip, rope, etc.
- Do the steps in section [Electrical safety precautions \(page 18\)](#).
- Install temporary grounding to the drive output terminals (T1/U, T2/V, T3/W). Connect the output terminals together as well as to the PE.

During the start up:

- Make sure that the motor cannot run overspeed, for example, driven by the load. Motor overspeed causes overvoltage that can damage or destroy the capacitors in the intermediate circuit of the drive.

### ■ Safety in operation

---

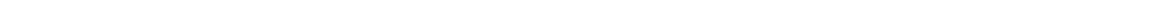


#### **WARNING!**

Make sure that the motor cannot run overspeed, for example, driven by the load. Motor overspeed causes overvoltage that can damage or destroy the capacitors in the intermediate circuit of the drive.

---







# 2

## Introduction to the manual

---

### Contents of this chapter

This chapter describes the intended audience and contents of the manual. It contains a flowchart of steps in examining the delivery, installing and commissioning the drive. The flowchart refers to chapters/sections in this manual and other manuals.

### Applicability

This manual applies to ACS880-34 drive modules intended for user-defined cabinet installations.

### Target audience

This manual is intended for people who plan the installation, install, start up and do maintenance work on the drive, or create instructions for the end user of the drive concerning the installation and maintenance of the drive.

Read the manual before working on the drive. You are expected to know the fundamentals of electricity, wiring, electrical components and electrical schematic symbols.

### Purpose of the manual

This manual provides information needed for planning the installation, installing, and servicing the drive.

### Categorization by frame size and option code

The instructions, technical data and dimension drawings which concern only certain drive frame sizes are marked with the symbol of the frame size (R11). The frame size is marked on the type designation label.

---

The instructions and technical data which concern only certain optional selections are marked with option codes, eg, +E208. The options included in the drive can be identified from the option codes visible on the type designation label. The option selections are listed in section [Type designation key \(page 41\)](#).

## Quick installation, commissioning and operating flowchart

Task	See chapter/section
<p>Plan the mechanical and electrical installation and acquire the accessories needed (cables, fuses, etc.).</p> <p>Examine the ambient conditions, ratings, required cooling air flow, input power connection, compatibility of the motor, motor connection, and other technical data.</p>	<p><a href="#">Guidelines for planning the mechanical installation (page 55)</a></p> <p><a href="#">Guidelines for planning the electrical installation (page 75)</a></p> <p><a href="#">Technical data (page 179)</a></p> <p><a href="#">Resistor braking (page 231)</a></p> <p>Option manual (if optional equipment is included)</p>
↓	
<p>Unpack and examine the units.</p> <p>Make sure that all necessary optional modules and equipment are present and correct.</p> <p>Only intact units can be started up.</p>	<p><a href="#">Moving and unpacking (page 65)</a></p> <p><a href="#">Examining the delivery (page 72)</a></p> <p>If the drive module has been non-operational for a year or more, the converter DC link capacitors need to be reformed. (<a href="#">Reforming the capacitors (page 169)</a>)</p>
↓	
<p>Examine the installation site. Attach the base of the cabinet to the floor.</p>	<p><a href="#">Examining the installation site (page 65)</a></p> <p><a href="#">Ambient conditions (page 195)</a></p>
↓	
<p>Route the cables.</p>	<p><a href="#">Routing the cables (page 88)</a></p>
↓	
<p>Measure the insulation of the supply cable, the motor and the motor cable and the resistor cable (if present).</p>	<p><a href="#">Measuring the insulation (page 100)</a></p>
↓	
<p><b>Standard drive modules</b></p> <ul style="list-style-type: none"> <li>• Install the additional components into the enclosure: for example, main disconnector, main contactor, main AC fuses, etc..</li> <li>• Install the drive module into the enclosure.</li> <li>• Connect the motor cables to the drive module terminals.</li> <li>• Connect the brake resistor and DC connection cables (if any) to the drive module terminals.</li> <li>• If the main disconnector is installed into the enclosure, connect it to the drive module terminals and the input power cabling to the disconnector.</li> <li>• Connect the cables from the drive module to the external control unit and install the control unit into the enclosure</li> </ul>	<p><a href="#">Installing the drive module and LCL filter module into an enclosure (page 133)</a></p> <p><a href="#">Connecting the motor cables and installing the shrouds (page 134)</a></p> <p><a href="#">Connecting the input cables and installing the shrouds (page 135)</a></p> <p><a href="#">Connecting the external control unit to the drive module (page 107)</a></p> <p><a href="#">Attaching the external control unit (page 109)</a></p> <p>Manuals for any optional equipment</p>
↓	

Task	See chapter/section
<p><u>Drive modules with optional cabling panels (+H381)</u></p> <ul style="list-style-type: none"> <li>• Install the cabling panels into the enclosure.</li> <li>• Install the additional components into the enclosure: for example, main disconnect, main contactor, main AC, fuses, etc.</li> <li>• If the main disconnect is installed into the enclosure, connect the input power cabling to it</li> <li>• Connect the input power cables and motor cables to the cabling panel terminals.</li> <li>• Connect the brake resistor and DC connection cables (if any) to the cabling panel terminals.</li> <li>• Install the drive module into the enclosure</li> <li>• Attach the cabling panel busbars to the drive module busbars.</li> <li>• Connect the cables from the drive module to the control unit and install the control unit into the enclosure</li> </ul>	<p><a href="#">Installing the mechanical accessories into a enclosure (page 141)</a></p> <p><a href="#">Connecting the power cables (page 143)</a></p> <p><a href="#">Installing the drive module into the enclosure (page 146)</a></p> <p><a href="#">Connecting the external control unit to the drive module (page 107)</a></p> <p><a href="#">Attaching the external control unit (page 109)</a></p> <p>Manuals for any optional equipment</p>
↓	
<p><u>Drive modules without full-size output cable connection terminals (option +0H371) and IP20 shrouds (option +0B051)</u></p> <ul style="list-style-type: none"> <li>• Install the additional components into the cabinet: for example, main PE busbar, main disconnect, main contactor, main AC, fuses, etc.</li> <li>• Install the drive module into the cabinet.</li> <li>• Connect the power cabling between the drive module and the rest of the main circuit components in the cabinet (if any)</li> <li>• Connect the input power cables and motor cables to the drive cabinet.</li> <li>• Connect the brake resistor and DC connection cables (if any) to the drive cabinet.</li> <li>• Connect the cables from the drive module to the control unit and install the control unit into the cabinet.</li> </ul>	<p><a href="#">Mechanical installation (page 65)</a></p> <p><a href="#">Electrical installation (page 99)</a></p> <p>Manuals for any optional equipment</p>
↓	
<p>Connect the control cables to the drive control unit.</p>	<p><a href="#">Connecting the external control unit to the drive module (page 107)</a></p>
↓	
<p>Examine the installation.</p>	<p><a href="#">Installation checklist (page 151)</a></p>
↓	
<p>Commission the drive.</p>	<p><a href="#">Start-up (page 153)</a></p>
↓	
<p>Commission the brake chopper (if used).</p>	<p><a href="#">Resistor braking (page 231)</a></p>
↓	
<p>Operate the drive: start, stop, speed control etc.</p>	<p>Appropriate firmware manual</p>

## Terms and abbreviations

Term	Description
BGDR	Gate driver board
CMF	Common mode filtering
DDCS	Distributed drives communication system protocol
Drive	Frequency converter for controlling AC motors
DTC	Direct torque control, a motor control method

<b>Term</b>	<b>Description</b>
EMC	Electromagnetic compatibility
FAIO-01	Optional analog I/O extension module
FCAN	Optional CANopen® adapter module
FCNA-01	Optional ControlNet™ adapter module
FDCO-01	DDCS communication module with two pairs of 10 Mbit/s DDCS channels
FDCO-02	DDCS communication module with one pair of 10 Mbit/s and one pair of 5 Mbit/s DDCS channels
FDIO-01	Optional digital I/O extension module
FDNA-01	Optional DeviceNet™ adapter module
FEA-03	Optional I/O extension adapter
FECA-01	Optional EtherCAT® adapter module
FEIP-21	Optional Ethernet adapter module
FEN-01	Optional TTL incremental encoder interface module
FEN-11	Optional TTL absolute encoder interface module
FEN-21	Optional resolver interface module
FEN-31	Optional HTL incremental encoder interface module
FENA-21	Optional Ethernet adapter module for EtherNet/IP™, Modbus TCP® and PROFINET IO® protocols, 2-port
FEPL-02	Optional Ethernet POWERLINK adapter module
FIO-01	Optional digital I/O extension module
FIO-11	Optional analog I/O extension module
FMBT-21	Optional Ethernet adapter module for Modbus TCP protocol
FPBA-01	Optional PROFIBUS DP® adapter module
FPNO-21	Optional Profinet IO adapter module
FPTC-01	Optional thermistor protection module
FPTC-02	Optional ATEX-certified thermistor protection module for potentially explosive atmospheres
Frame, frame size	Physical size of the drive or power module
FSCA-01	Optional RS-485 (Modbus/RTU) adapter
FSE-31	Optional pulse encoder interface module for safety encoder
FSO-12, FSO-21	Optional functional safety modules
FSPS-21	Optional functional safety module
HTL	High-threshold logic
IGBT	Insulated gate bipolar transistor
IT system	Type of supply network that has no (low-impedance) connection to ground. See IEC 60364-5.
Line-side converter	In a drive module, the converter between the AC supply network and the DC link
Motor-side converter	In a drive module, the converter between the DC link and the motor
PLC	Programmable logic controller
QOIA	Optical interface adapter board
RFI	Radio-frequency interference
SAFUR	Series of brake resistors
STO	Safe torque off (IEC/EN 61800-5-2)
TN system	Type of supply network that provides a direct connection to ground
TTL	Transistor-transistor logic
ZBIB	Adapter board connected to the control board in the control unit (ZCU)
ZCU	Type of control unit

## Related documents

Name	Code (English/Multi-lingual)	Code (Translation)
<b>Drive hardware manuals and guides</b>		
<i>Drive/converter/inverter safety instructions</i>	<a href="#">3AXD50000037978</a>	
<i>ACS880-34 drive modules (132 to 400 kW, 200 to 450 hp) hardware manual</i>	<a href="#">3AXD50000035191</a>	
<i>ACS880-34 drive modules (132 to 400 kW, 200 to 450 hp) quick installation guide</i>	<a href="#">3AXD50000212453</a>	
<i>Recycling instructions and environmental information for ACS880-04, ACS880-04F, ACS880-14, ACS880-34, ACS580-04, ACQ580-04 and ACH580-04 drives</i>	<a href="#">3AXD50000137688</a>	
<b>Drive firmware manuals and guides</b>		
<i>ACS880 primary control program firmware manual</i>	<a href="#">3AUA0000085967</a>	
<i>Quick start-up guide for ACS880 drives with primary control program</i>	<a href="#">3AUA0000098062</a>	
<i>ACS880 IGBT supply control program firmware manual</i>	<a href="#">3AUA0000131562</a>	
<b>Drive option manuals and guides</b>		
<i>ACX-AP-x assistant control panels user's manual</i>	<a href="#">3AUA0000085685</a>	
<i>DPMP-01 mounting platform for control panels installation guide</i>	<a href="#">3AUA0000100140</a>	
<i>DPMP-02/03 mounting platform for control panels installation guide</i>	<a href="#">3AUA0000136205</a>	
<i>FSO-12 safety functions module user's manual</i>	<a href="#">3AXD50000015612</a>	
<i>FSO-21 safety functions module user's manual</i>	<a href="#">3AXD50000015614</a>	
<i>FSPS-21 PROFIsafe safety functions module user's manual</i>	<a href="#">3AXD50000158638</a>	
<i>ATEX-certified Safe disconnection function, Ex II (2) GD for ACS880 drives (+Q971) Application guide</i>	<a href="#">3AUA0000132231</a>	
<i>FPTC-02 ATEX-certified thermistor protection module, Ex II (2) GD (option +L537+Q971) for ACS880 drives user's manual</i>	<a href="#">3AXD50000027782</a>	
<i>FOCH du/dt filters hardware manual</i>	<a href="#">3AFE68577519</a>	
<i>Sine filters hardware manual</i>	<a href="#">3AXD50000016814</a>	
Manuals and quick guides for I/O extension modules, fieldbus adapters, etc.		
<b>Tool and maintenance manuals and guides</b>		
<i>Drive composer PC tool user's manual</i>	<a href="#">3AUA0000094606</a>	
<i>Capacitor reforming instructions</i>	<a href="#">3BFE64059629</a>	
Maintenance schedule	<a href="#">4FPS10000239703</a>	

You can find manuals and other product documents in PDF format on the Internet at [www.abb.com/drives/documents](http://www.abb.com/drives/documents).

The code below opens an online listing of the manuals applicable to this product.



[ACS880-34 manuals](#)



# 3

## Operation principle and hardware description

---

### Contents of this chapter

This chapter describes the operating principle and construction of the drive module.

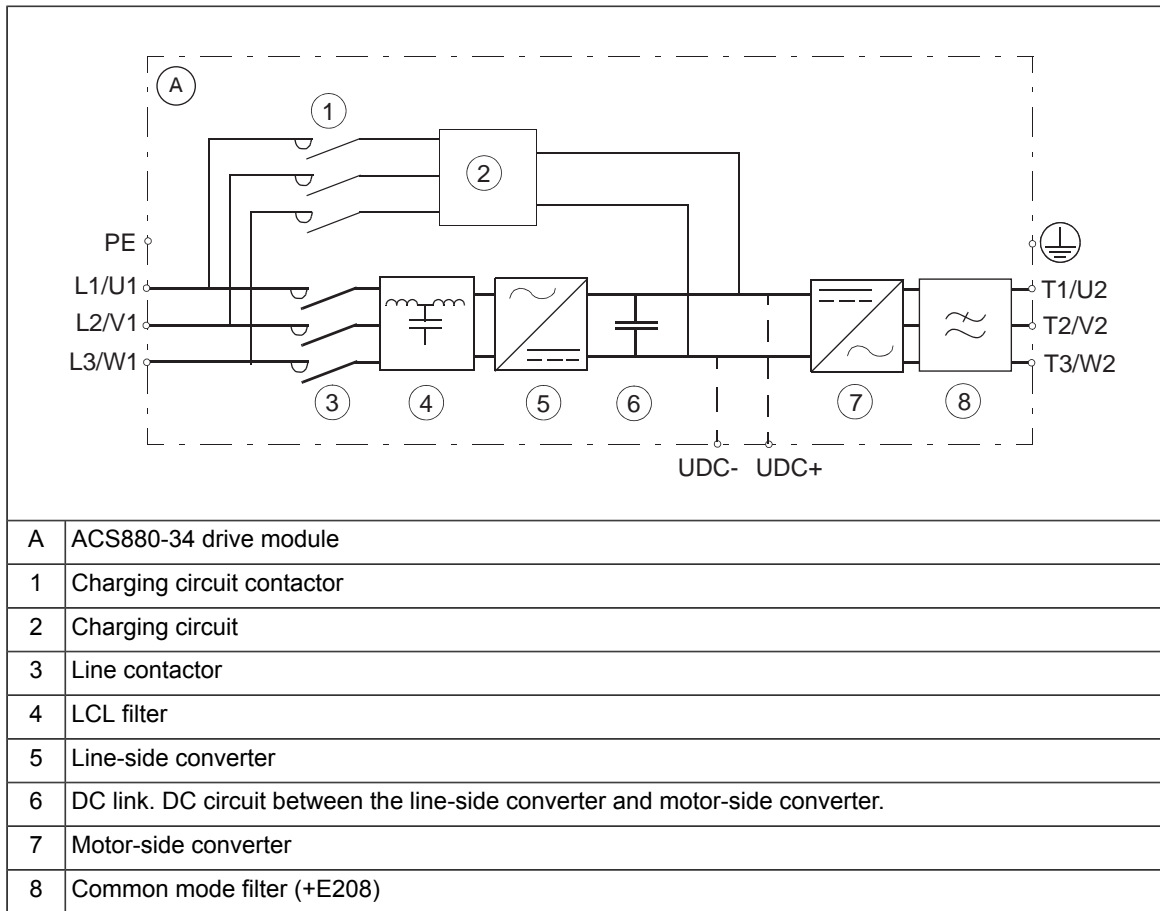
### Operation principle

The ACS880-34 is an ultra-low harmonic drive module for controlling asynchronous AC induction motors, permanent magnet motors, AC induction servomotors and ABB synchronous reluctance motors (SynRM motors).

The drive includes a line-side converter and a motor-side converter. The parameters and signals for both of them are combined into one primary user program.

---

■ **Block diagram of the main circuit of the drive module**

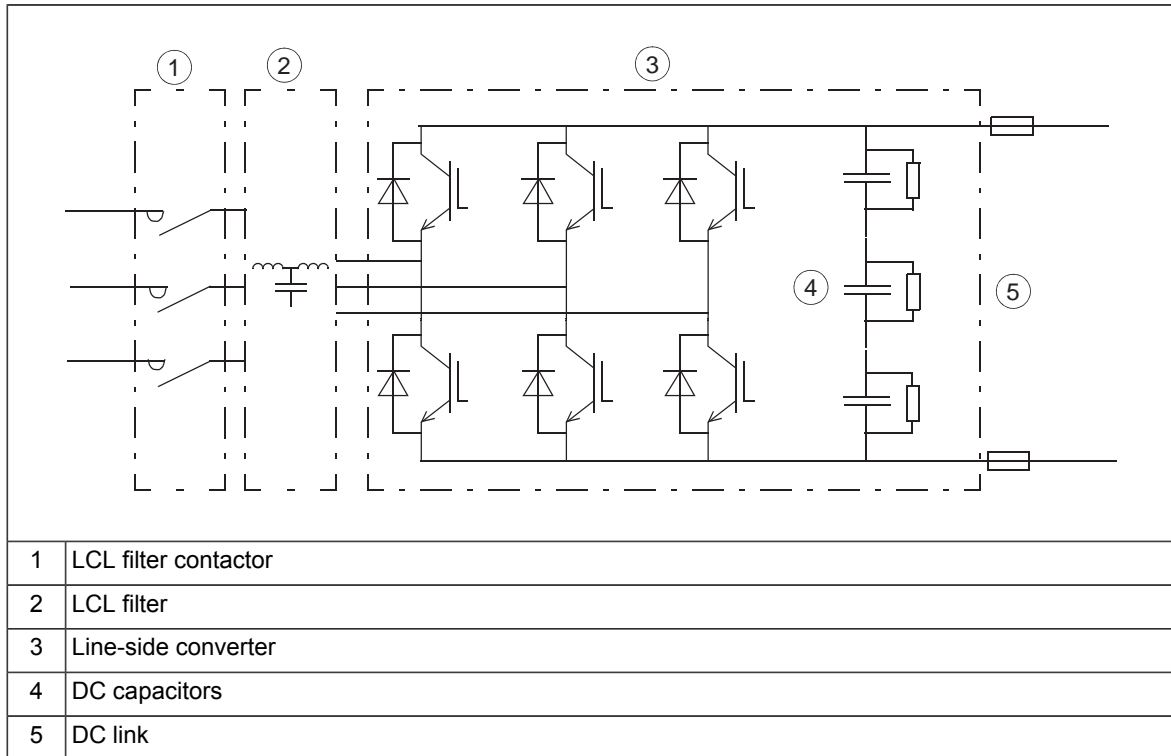


■ **Line-side converter**

The line-side converter rectifies three-phase AC current to direct current for the intermediate DC link of the drive.



The following figure shows the simplified main circuit diagram of the line-side converter.



### AC voltage and current waveforms

The AC current is sinusoidal at a unity power factor. The LCL filter suppresses the AC voltage distortion and current harmonics. The high AC inductance smooths the line voltage waveform distorted by the high-frequency switching of the converter. The capacitive component of the filter effectively filters the high-frequency (over 1 kHz) harmonics.

### Charging

Charging is needed to power up the DC link capacitors smoothly. Discharged capacitors cannot be connected to the full supply voltage. The voltage must be increased gradually until the capacitors are charged and ready for normal use. The drive contains a resistive charging circuit consisting of fuses, contactor and charging resistors. The charging circuit is in use after start-up until the DC voltage has risen to a predefined level.

#### ■ Motor-side converter

The motor-side converter converts the DC back to AC that rotates the motor. It is also able to feed the braking energy from a rotating motor back into the DC link. The motor-side converter is controlled by a type ZCU control unit (external control unit). This is called the drive control unit or control unit in this manual.

#### ■ DC connection

You can connect an external brake chopper to the drive via the DC terminals. See chapter *Resistor braking*.



#### **WARNING!**

Do not connect the drive DC link to a common DC system. The drive will get damaged.

## Layout

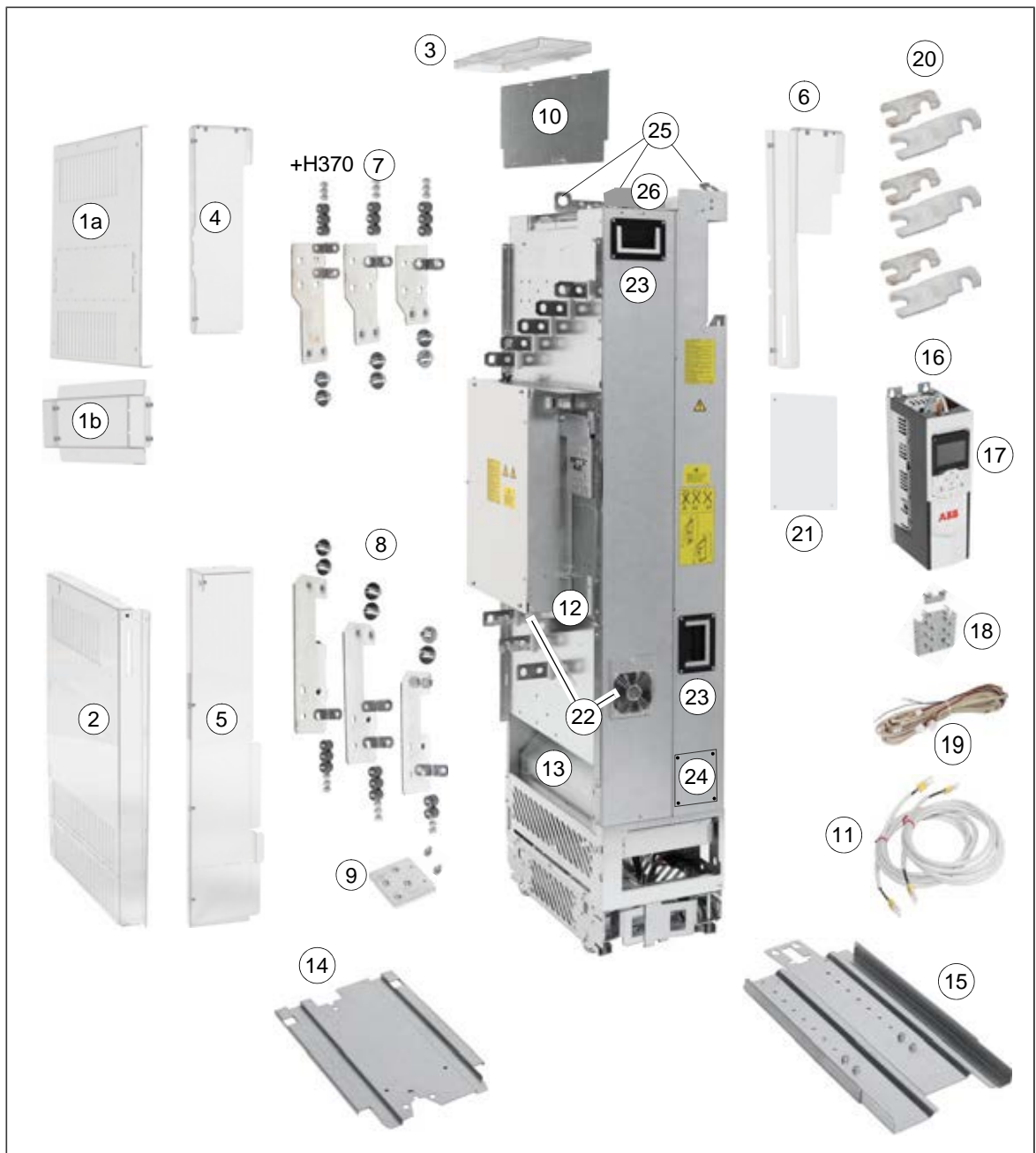
### ■ Standard drive module configuration



A	Drive module. Contains line-side converter and motor side converter.	4	Lower front cover
B	LCL filter module	5	Cooling fan cassette
C	LCL filter module connected to the drive module	6	Support legs
1	Clear plastic shrouds attached	7	Pedestal
2	Circuit board compartment	8	Busbars for connecting the LCL filter module to the drive module
3	Upper front cover	9	Cover on busbar connections

See the next page for descriptions and photos of the external control unit and drive module. For LCL filter module, see section [LCL filter module \(page 36\)](#).

■ Drive module

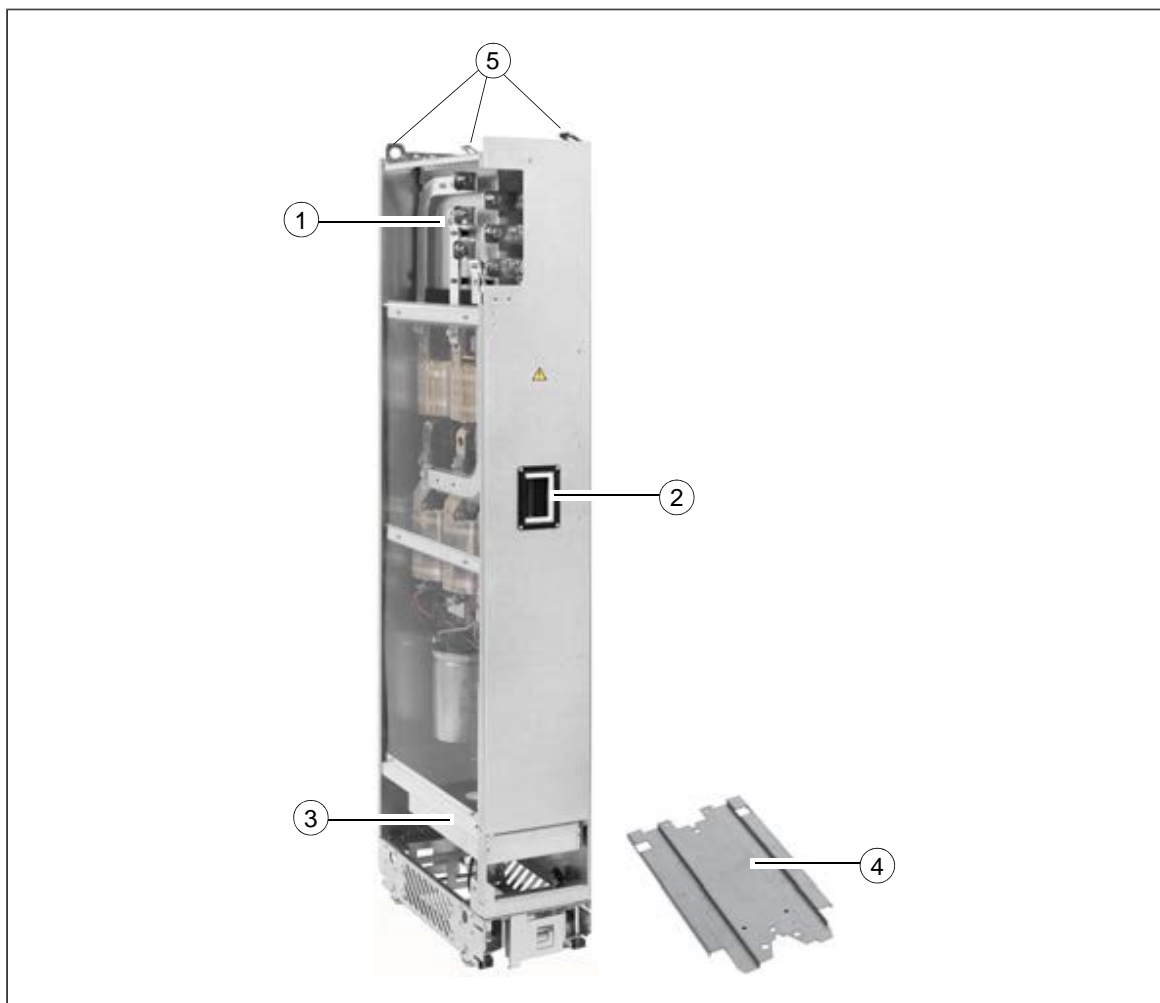


1	Clear plastic shroud to be attached onto the drive module input power cabling (1a). Entry shroud for side cabling (1b).	14	Pedestal guide plate for the drive module
2	Clear plastic shrouds to be attached onto the drive module output power cabling	15	Telescopic extraction/installation ramp
3	Clear plastic shroud to be attached on top of the drive module (entry for top cabling)	16	External control unit
4	Upper back clear plastic shroud	17	Control panel
5	Lower back clear plastic shroud	18	Control cable clamp plate
6	Front clear plastic shroud	19	Cables for connecting the control unit to the drive module (ZBIB - INU STO and 24VDC power)
7	Input power cable connection terminals (option +H370)	20	Busbars for connecting the drive module to the LCL filter electrically

36 Operation principle and hardware description

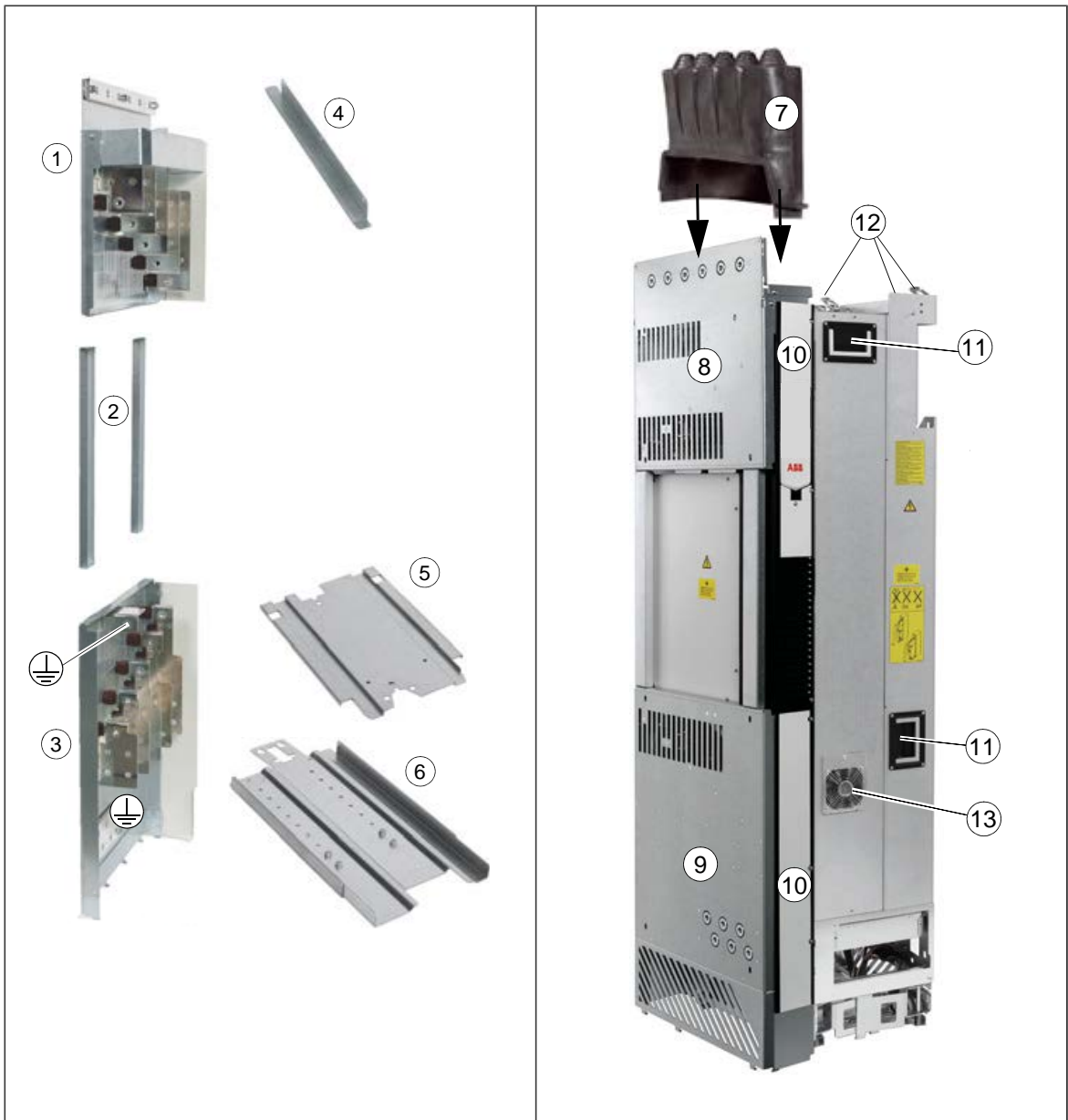
8	Output power cable connection terminals	21	Cover for the busbar connection
9	Grounding terminal for output power cable shields	22	Auxiliary cooling fan
10	Metallic shroud. With option +H370, the shroud includes a ground bar.	23	Handle
11	Fiber optic cables for connecting the control unit to the drive module (INU ZBIB - QOIA)	24	Cover. When removed, you can attach the drive module to the LCL filter module.
12	PE (ground) terminal	25	Lifting lugs
13	Main cooling fans	26	Connector for charging circuit switch or contactor

■ LCL filter module



1	Busbars for connecting the LCL filter module to the drive module electrically	4	Pedestal guide plate for the LCL filter module
2	Handle	5	Lifting lugs
3	Main cooling fans	-	-

■ Drive module with full power cabling panels (option +H381)



Accessories		Assembled drive module	
1	Input power cabling panel	7	Rubber grommet
2	Side guides	8	Input power cabling panel to be attached to the drive cabinet
3	Output power cabling panel	9	Output power cabling panel to be attached to the drive cabinet
4	Top guide plate	10	Front cover
5	Pedestal guide plate	11	Handle
6	Telescopic extraction and insertion ramp	12	Lifting lugs
-	-	13	Auxiliary cooling fan, another auxiliary cooling fan is located below the circuit board compartment

■ Drive module without full-size output cable connection terminals (option +0H371) and IP20 shrouds (option +0B051) and with common mode filter (option +E208)



1	Lifting lugs	9	Auxiliary cooling fan
2	Input cable connection busbars (L1/U1, L2/V1, L3/W1) and DC+ and DC- busbars (UDC+, UDC-)	10	PE busbar
3	Circuit board compartment	11	Main cooling fans
4	Output cable connection busbars (T1/U2, T2/V2, T3/W2)	12	Base attaching screws
5	Common mode filter (option +E208)	13	Pedestal guide plate
6	Pedestal	14	Telescopic extraction and insertion ramp
7	Retractable support legs	15	Connector for charging circuit switch or contactor
8	Handle for pulling the drive module	16	Cover. When removed, you can attach the drive module to the LCL filter module.

**Note:** The front covers are removed in this photo, see numbers 3 and 4 in [Standard drive module configuration](#).

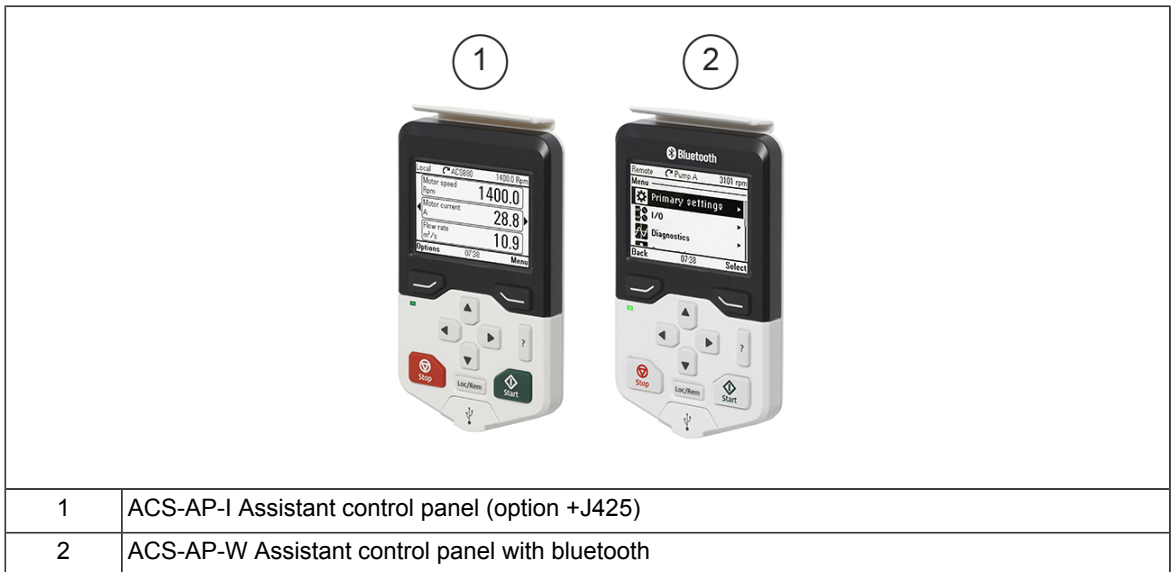
## ■ Control panel

In the standard drive module configuration, the control panel is located in the control panel holder of the external control unit.

One control panel can also be used to control several drives through a panel link; see section [Panel bus \(Control of several units from one control panel\) \(page 113\)](#).

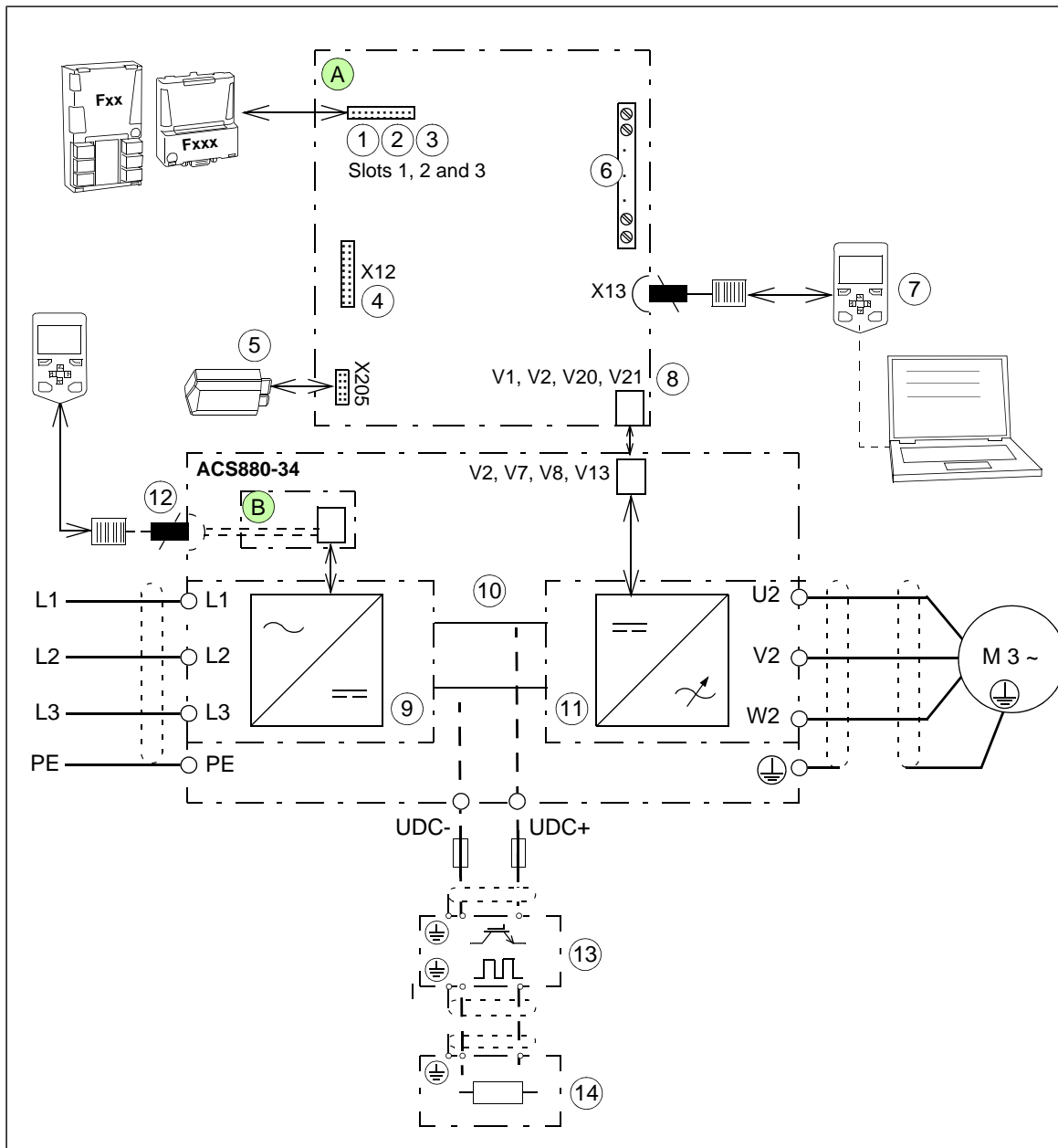
For the use of the control panel, see the firmware manual or *ACx-AP-x Assistant control panels user's manual* (3AUA0000085685 [English]).

For the control panel mounting platforms, see [Mounting the control panel on the cabinet door \(page 53\)](#).



## Overview of power and control connections

The diagram shows the power connections and control interfaces of the drive module.



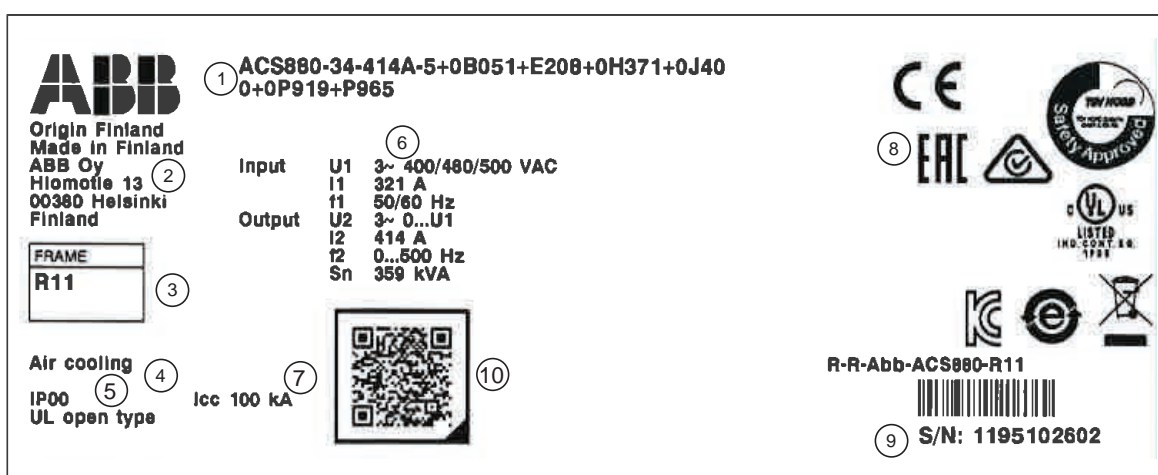
A	External control unit (motor-side converter control unit)
B	Line-side converter control unit
1	
2	Analog and digital I/O extension modules, feedback interface modules and fieldbus communication modules can be inserted into slots 1, 2 and 3. See <i>Type designation key (page 41)</i> .
3	
4	Connector for the FSO-xx safety functions module (X12). The module can be installed on or above the control unit, see <i>Installing the FSO-xx safety functions module (page 118)</i> .
5	Memory unit (see section <i>Memory unit</i> )
6	I/O terminal blocks. See chapter <i>External control unit (page 121)</i> .
7	Control panel (see section <i>Control panel</i> )



8	Fiber optic link to the motor-side converter. Similarly, the line-side converter is connected to the line-side converter control unit with fiber optic cables.
9	Line-side converter
10	DC link
11	Motor-side converter
12	Socket for external line-side control unit control (not required for normal operation of the drive)
13	Brake chopper (optional, see chapter <a href="#">Resistor braking (page 231)</a> )
14	Brake resistors (optional, see chapter <a href="#">Resistor braking (page 231)</a> )

## Type designation label

The type designation label includes a rating, markings, a type designation and a serial number, which allow individual recognition of each drive module. The type designation label is located on the front cover. An example label is shown below.



1	Type designation, see section <a href="#">Type designation key</a>
2	Name and address of the manufacturer
3	Frame size
4	Cooling method
5	Degree of protection
6	Ratings, see section <a href="#">Ratings (page 179)</a> .
7	Short-circuit withstand strength, see section <a href="#">Electrical power network specification (page 192)</a> .
8	Valid markings
9	Serial number. The first digit of the serial number refers to the manufacturing plant. The next four digits refer to the unit's manufacturing year and week, respectively. The remaining digits complete the serial number so that there are no two units with the same number.
10	Link to product information

## Type designation key

The type designation contains information on the specifications and configuration of the drive. The first digits from left express the basic drive type. The optional selections are given thereafter, separated by plus signs. Codes preceded by zero indicate the absence of the specified feature. The main selections are described below. Not all selections are available

for all types. For more information, refer to the ordering instructions available separately on request.

### ■ Basic code

Code	Description
ACS880	Product series
<b>Type</b>	
-34	When no options are selected: low-harmonic single drive module to be installed in an enclosure, IP20 (UL Type Open), bookshelf mounting with pedestal, external control unit with ACS-AP-W Assistant control panel with Bluetooth interface and panel holder, build-in LCL filter, full-size output cable connection terminals, no EMC filter, DC connection busbars, clear plastic shrouds for covering the input power and motor cable connections, ACS880 primary control program, Safe torque off function, coated boards, printed multilingual quick installation and start-up guides, extraction/installation ramp.
<b>Size</b>	
-xxxxA	See the ratings table.
<b>Voltage range</b>	
-3	380...415 V AC. This is indicated in the type designation label as typical input voltage level (3~ 400 V AC)
-5	380...500 V AC. This is indicated in the type designation label as typical input voltage levels (3~ 400/480/500 V AC)
-7	525...690 V AC. This is indicated in the type designation label as typical input voltage levels (3~ 525/600/690 V AC)

### ■ Option codes

Code	Description
0B051	No IP20 shrouds for cabling area (Not to be used with option +H381)
E202	EMC filter for 1st environment TN (grounded) system, category C2. Available for ACS880-34-xxxx-3 and -5 types only.
E208	Common mode filter
E210	EMC filter for 2nd environment TN (grounded) or IT (ungrounded) system, category C3
0H371	No full size cable connection terminals for output power cables
H370	Full-size input terminals
H381	Full power cabling panels to be attached to a cabinet. The drive module can be pulled out from the cabinet without disconnecting the power cables. IP20 degree of protection. Not to be used with options +0B051 and +H370.
0J400	No control panel
J410	DPMP-01 door mounting kit
J413	DPMP-02 door mounting kit (surface mounting) for the panel
J425	ACS-AP-I control panel
K451	FDNA-01 DeviceNet™ adapter module
K454	FPBA-01 PROFIBUS DP adapter module
K457	FCAN-01 CANopen adapter module
K458	FSCA-01 RS-485 (Modbus/RTU) adapter module

<b>Code</b>	<b>Description</b>
K462	FCNA-01 ControlNet™ adapter module
K469	FECA-01 EtherCat adapter module
K470	FEPL-02 EtherPOWERLINK adapter module
K475	FENA-21 Ethernet adapter module for EtherNet/IP™, Modbus TCP and PROFINET IO protocols, 2-port
K490	FEIP-21 EtherNet/IP adapter module
K491	FMBT-21 Modbus/TCP adapter module
K492	FPNO-21 PROFINET IO adapter module
L500	FIO-11 analog I/O extension module (1, 2 or 3 pcs)
L501	FIO-01 digital I/O extension module
L502	FEN-31 HTL incremental encoder interface module
L503	FDCO-01 optical DDCS communication adapter module
L508	FDCO-02 optical DDCS communication adapter module
L515	FEA-03 I/O extension adapter
L516	FEN-21 resolver interface module
L517	FEN-01 TTL incremental encoder interface module
L518	FEN-11 TTL absolute encoder interface module
L521	FSE-31 pulse encoder interface module
L525	FAIO-01 analog I/O extension module
L526	FDIO-01 digital I/O extension module
L536	FPTC-01 thermistor protection module
L537	FPTC-02 ATEX-certified thermistor protection module
N5000	Winder control program
N5050	Crane control program
N5100	Winch control program
N5150	Centrifuge control program
N5200	PCP (Progressive Cavity Pump) control program
N5250	Rod pump control program
N5350	Cooling tower control program
N5450	Override control program
N5500	Spinning and traverse control program
N5600	ESP (Electrical Submersible Pump) control program
N5650	Tower crane control program
N8010	Drive application programming
0P919	No extraction/installation ramp
P904	Extended warranty 24/30
P909	Extended warranty 36/42
P911	Extended warranty 66 months
Q971	ATEX-certified safe disconnection function
Q972	FSO-21 safety functions module
Q973	FSO-12 safety functions module
Q982	PROFIsafe with FSO-xx safety functions module and FENA-21 Ethernet adapter module

#### 44 Operation principle and hardware description

<b>Code</b>	<b>Description</b>
Q986	PROFIsafe safety functions module, FSPS-21
R700	Documentation/manuals in English
R701	German
R702	Italian
R703	Dutch
R704	Danish
R705	Swedish
R706	Finnish
R707	French
R708	Spanish
R709	Portuguese
R711	Russian
R712	Chinese
R713	Polish
R714	Turkish

---

# 4

## Generic cabinet planning instructions

---

### Contents of this chapter

This chapter contains generic cabinet planning instructions applicable to any user-defined cabinet system. The topics discussed are essential for the safe and trouble-free use of the drive system.

### Limitation of liability

The installation must always be designed and made according to applicable local laws and regulations. ABB does not assume any liability whatsoever for any installation which breaches the local laws and/or other regulations. Furthermore, if the recommendations given by ABB are not followed, the drive may experience problems that the warranty does not cover.

### Cabinet construction

Basic requirements for the cabinet construction are listed below. Make sure that:

- cabinet frame is sturdy enough to carry the weight of the components, control circuitry and other equipment installed in it
- cabinet protects the modules against contact and agrees with the requirements for dust and humidity
- cabinet frame and doors are strong enough to provide adequate protection against flames or pressure blast originating from inside the cabinet in case of arc flash or similar failure
- cabinet has air inlet and outlet gratings that allow free flow of cooling air through the modules inside the cabinet.

#### ■ Disposition of the devices

Plan a spacious layout to ensure easy installation and maintenance. Sufficient cooling air flow, obligatory clearances, cables and cable support structures all require space.

---

Place the control board(s) away from:

- main circuit components such as contactors, switches and power cables
- hot parts (heatsink, air outlet of the drive module).

### ■ Grounding of mounting structures

Arrange the grounding of the module by leaving the contact surfaces of the fastening points unpainted (bare metal-to-metal contact). The module frame is grounded to the PE busbar of the cabinet via the fastening surfaces, screws and the cabinet frame. Alternatively, use a separate grounding conductor between the PE terminal of the module and the PE busbar of the cabinet.

Ground also the other components in the cabinet according to the principle above.

### ■ Busbar material and joints

ABB recommends tin-plated copper, but aluminum can also be used.

**Note:** Before joining aluminum busbars, remove the oxide layer and apply suitable anti-oxidant joint compound.

### ■ Shrouds

The installation of shrouds (touch protection) to fulfill applicable safety regulations is the responsibility of the drive system builder.

Ready-made shrouding parts are available from ABB for some cabinet designs, see the ordering information.

### ■ Tightening torques

Unless a tightening torque is specified in the text, the following torques can be used.

#### Electrical connections

Size	Torque	Strength class
M3	0.5 N·m (4.4 lbf·in)	4.6...8.8
M4	1 N·m (9 lbf·in)	4.6...8.8
M5	4 N·m (35 lbf·in)	8.8
M6	9 N·m (6.6 lbf·ft)	8.8
M8	22 N·m (16 lbf·ft)	8.8
M10	42 N·m (31 lbf·ft)	8.8
M12	70 N·m (52 lbf·ft)	8.8
M16	120 N·m (90 lbf·ft)	8.8

#### Mechanical connections

Size	Max. torque	Strength class
M5	6 N·m (53 lbf·in)	8.8
M6	10 N·m (7.4 lbf·ft)	8.8
M8	24 N·m (17.7 lbf·ft)	8.8

## Insulation supports

Size	Max. torque	Strength class
M6	5 N·m (44 lbf·in)	8.8
M8	9 N·m (6.6 lbf·ft)	8.8
M10	18 N·m (13.3 lbf·ft)	8.8
M12	31 N·m (23 lbf·ft)	8.8

## Cable lugs

Size	Max. torque	Strength class
M8	15 N·m (11 lbf·ft)	8.8
M10	32 N·m (23.5 lbf·ft)	8.8
M12	50 N·m (37 lbf·ft)	8.8

## Cooling and degrees of protection

### ■ Planning the cooling

When you plan the cooling of the cabinet:

- make sure that the ventilation of the installation site is sufficient so that the cooling air flow and ambient temperature requirements of the module are met (see the technical data)
- leave enough free space around the components to ensure sufficient cooling. Observe the minimum clearances given for each component, see the technical data.

### ■ Air inlets and outlets

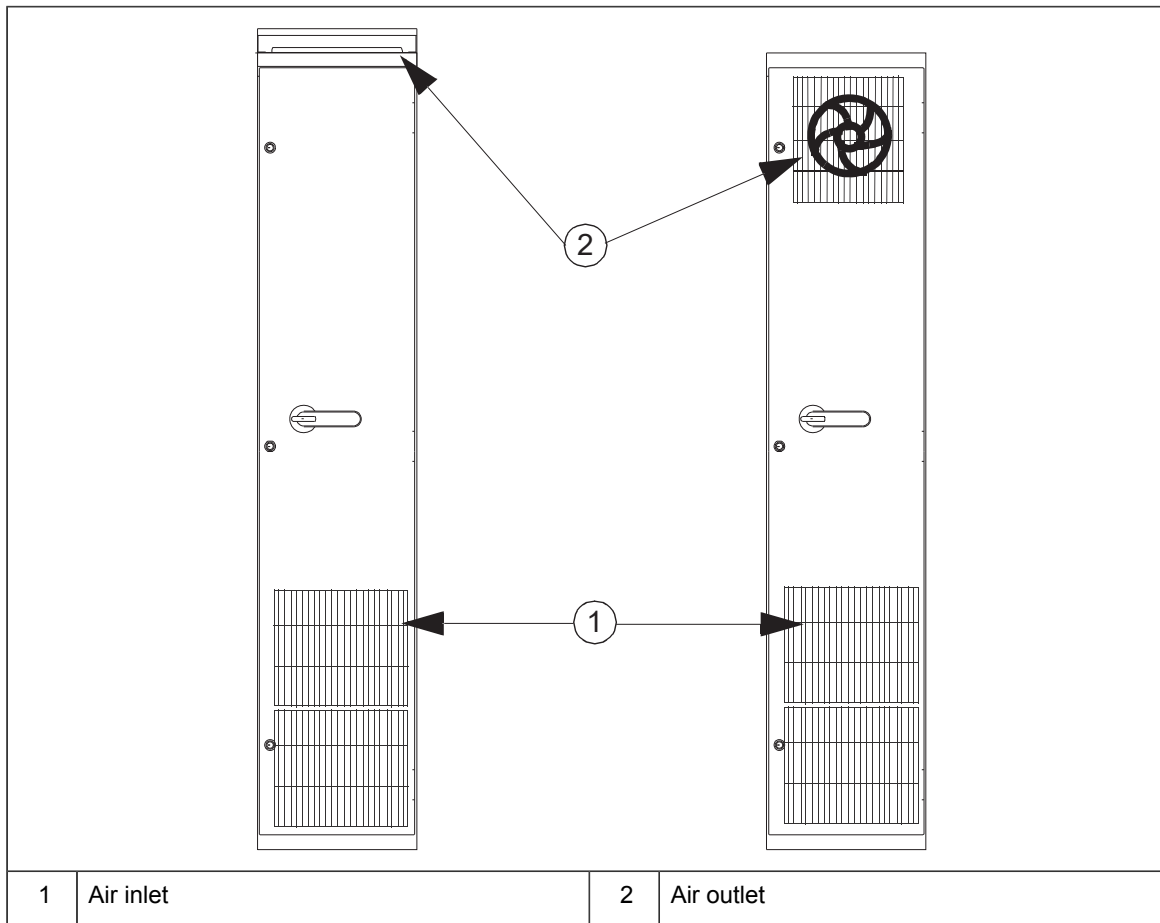
Equip the air inlets and outlets with gratings that:

- are large enough to allow sufficient air flow in and out of the cabinet (critical for correct cooling of the module)
- guide the air flow
- protect against contact
- prevent water splashes from entering the cabinet
- ensure adequate protection against flames or pressure blast originating from inside the cabinet in case of arc flash or similar failure.

The drawing below shows two typical cabinet cooling solutions. The air inlet is at the bottom of the cabinet. The outlet is on the roof or on the upper part of the door if room height is limited.

---

**Note:** Use an extra exhaust fan if the air outlet is on the cabinet door.



Arrange the cooling air flow through the components according to the technical data. See the specifications for:

- cooling air flow
  - Note:** The values stated for each component apply to continuous nominal load. If the load is cyclic or less than nominal, less cooling air may be required.
- allowed surrounding air temperature and temperature rise inside the cabinet
- allowed pressure drop over the cabinet that the cooling fan can overcome
- air inlet and outlet sizes required for cooling and recommended filter material (if used).

**Note:** The heat dissipated by cables and other additional equipment must also be ventilated.

The internal cooling fans of the converter modules and filters are usually sufficient to keep the component temperatures low enough in IP20 (UL Type 1) and IP42 (UL Type 1 filtered) cabinets. Additional fans are present in the example designs as needed. If you install additional heat-generating components to the cabinet, make sure to upgrade the cooling system accordingly.

In IP54 (UL Type 12) cabinets, thick filter mats are used to prevent water splashes from entering the cabinet. This requires the installation of additional cooling equipment, such as a hot air exhaust fan.



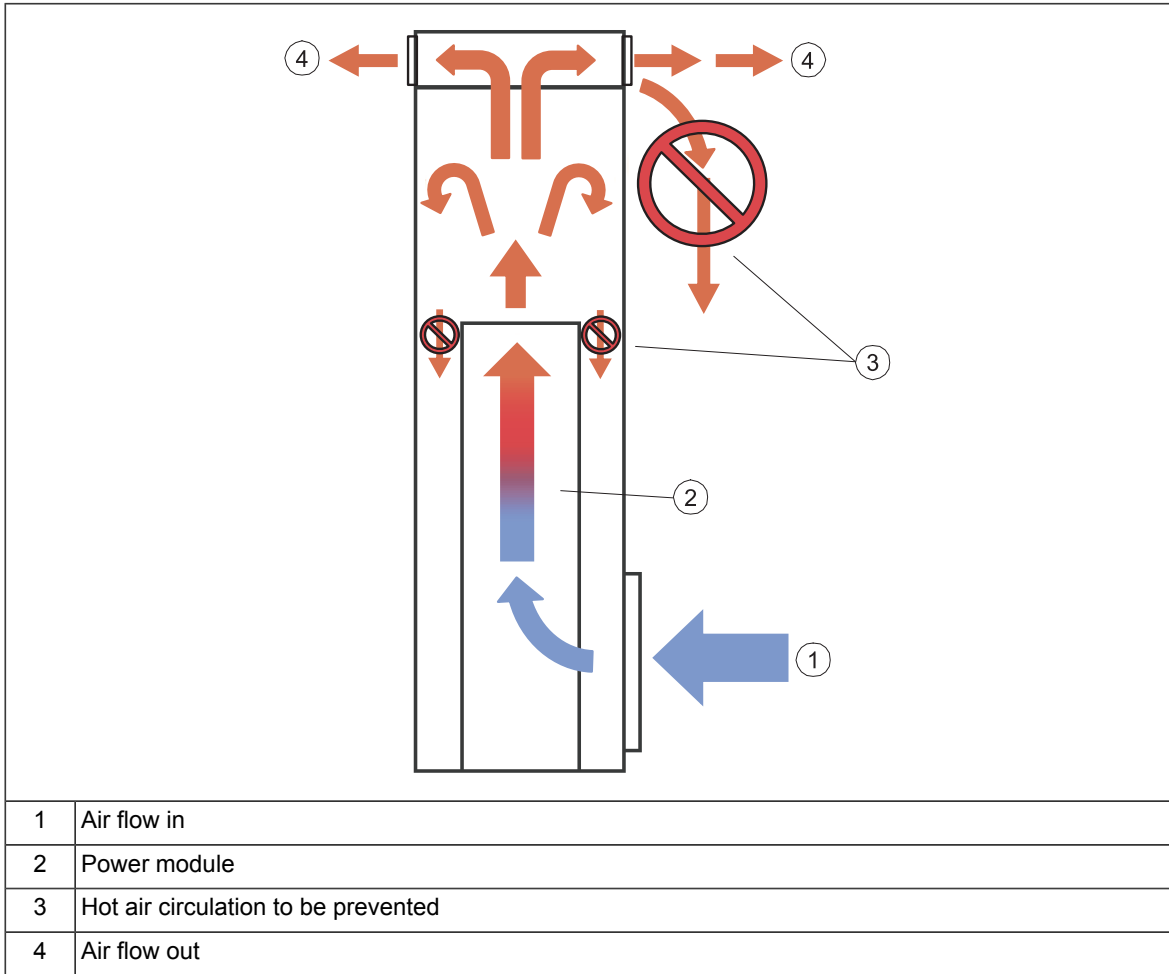
■ **Preventing the recirculation of hot air**

Prevent hot air circulation outside the cabinet by leading the outgoing hot air away from the area where the inlet air to the cabinet is taken. Possible solutions are listed below:

- gratings that guide air flow at the air inlet and outlet
- air inlet and outlet at different sides of the cabinet
- cool air inlet in the lower part of the front door, and an extra exhaust fan on the roof of the cabinet.

Prevent hot air circulation inside the cabinet with, for example, leak-proof air baffles. No gaskets are usually required.

The drawing below shows the air flow inside and outside the cabinet.



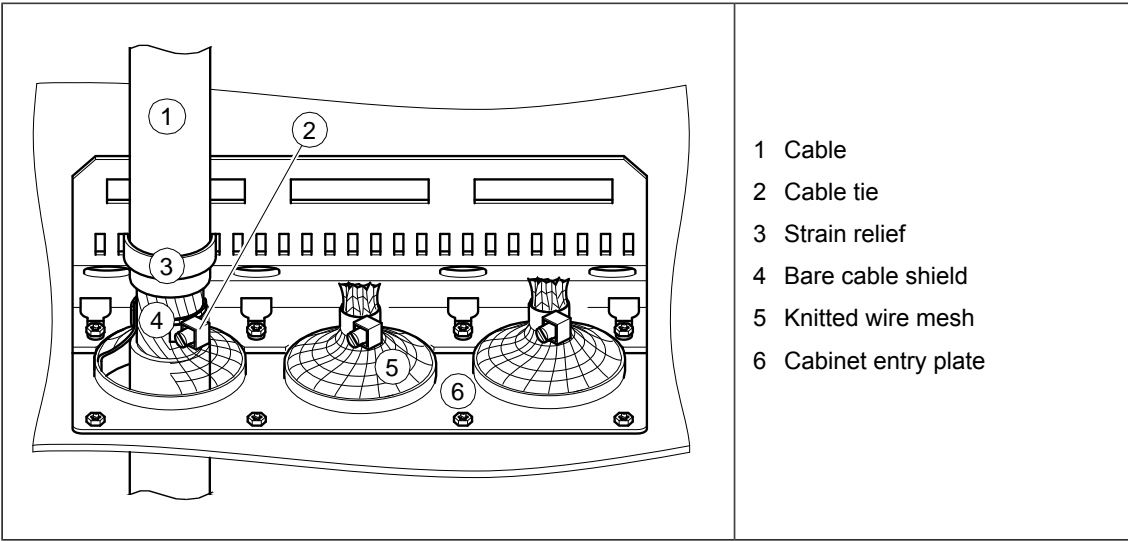
**EMC requirements**

Note the following when you plan the electromagnetic compatibility of the cabinet:

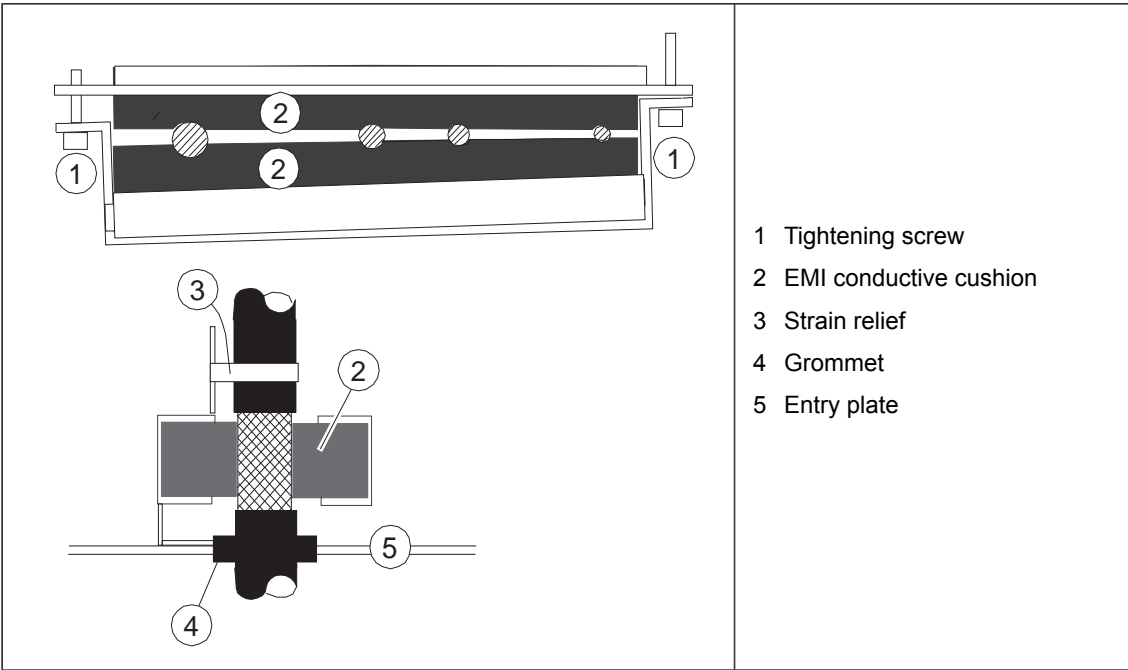
## 50 Generic cabinet planning instructions

- Generally, the fewer and smaller the holes in the cabinet, the better the interference attenuation. The maximum recommended diameter of a hole in galvanic metal contact in the covering cabinet structure is 100 mm (3.94 in). Pay special attention to the cooling air inlet and outlet gratings.
  - The best galvanic connection between the steel panels is achieved by welding them together as no holes are necessary. If welding is not possible, ABB recommends to leave the seams between the panels **unpainted** and equipped with special conductive EMC strips to provide adequate galvanic connection. Usually, reliable strips are made of flexible silicon mass covered with a metal mesh. The non-tightened touch-contact of the metal surfaces is not sufficient, so a conductive gasket between the surfaces is required. The maximum recommended distance between assembly screws is 100 mm (3.94 in).
  - Construct sufficient high-frequency grounding network in the cabinet to avoid voltage differences and forming of high-impedance radiator structures. A good high-frequency grounding is made with short flat copper braids for low inductance. One-point high-frequency grounding cannot be used due to the long distances inside the cabinet.
  - 360° high-frequency grounding of the cable shields at the cable entries improves the EMC shielding of the cabinet.
-

- ABB recommends 360° high-frequency grounding of the motor cable shields at their entries. The grounding can be implemented by a knitted wire mesh screening as shown below.



- ABB recommends 360° high-frequency grounding of the control cable shields at their entries. The shields can be grounded by means of conductive shielding cushions pressed against the cable shield from both directions as shown below.



### Attaching the cabinet

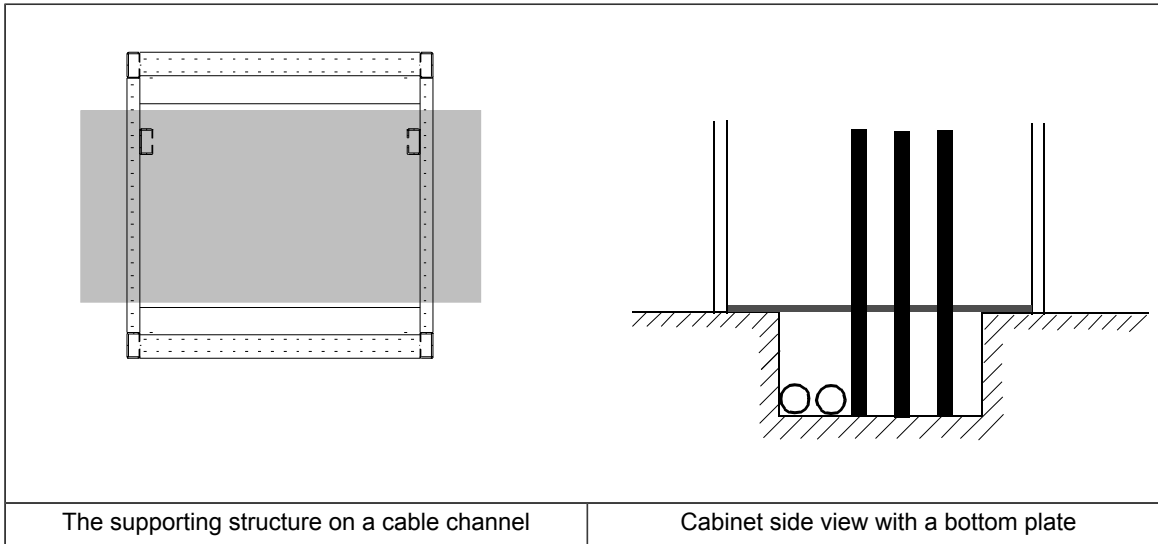


**WARNING!**  
Do not attach the cabinet by electric welding. ABB does not assume any liability for damages caused by electric welding as the welding circuit can damage electronic circuits in the cabinet.

## Cabinet placement on a cable channel

Note the following when you plan to place the cabinet on a cable channel:

- The cabinet structure must be sturdy enough. If the whole cabinet base is not supported from below, the cabinet weight will lie on the sections that the floor carries.
- Equip the cabinet with a sealed bottom plate and cable entries to ensure the degree of protection and to prevent the cooling air flow from the cable channel into the cabinet.



## Heaters

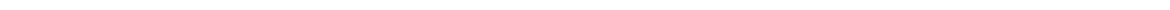
Use a heater if there is a risk of condensation in the cabinet. Although the primary function of the heater is to keep the air dry, it may also be required for heating at low temperatures.

## Mounting the control panel on the cabinet door

You can use a mounting platform to mount the control panel on the cabinet door. Mounting platforms for control panels are available as options from ABB. For more information, see

Manual	Code (English)
<i>DPMP-01 mounting platform for control panels installation guide</i>	<a href="#">3AUA0000100140</a>
<i>DPMP-02/03 mounting platform for control panels installation guide</i>	<a href="#">3AUA0000136205</a>
<i>DPMP-04 and DPMP-05 mounting platform for control panels installation guide</i>	<a href="#">3AXD50000308484</a>
<i>DPMP-06/07 mounting platform for control panels installation guide</i>	<a href="#">3AXD50000289561</a>

		
<p>DPMP-01</p>	<p>DPMP-02</p>	<p>DPMP-04</p>
<p>IP54 (UL Type 12) when control panel is mounted IP20 (UL Type Open) when control panel is not mounted</p>	<p>IP65 (UL Type 12) when control panel is mounted IP20 (UL Type Open) when control panel is not mounted</p>	<p>IP66 (inside and outside the cabinet door)</p>





# 5

## **Guidelines for planning the mechanical installation**

---

### **Contents of this chapter**

This chapter guides in planning drive cabinets and installing the drive module into a user-defined cabinet. The chapter gives cabinet layout examples and free space requirements around the module for cooling. These guidelines are essential for the safe and trouble-free use of the drive system.

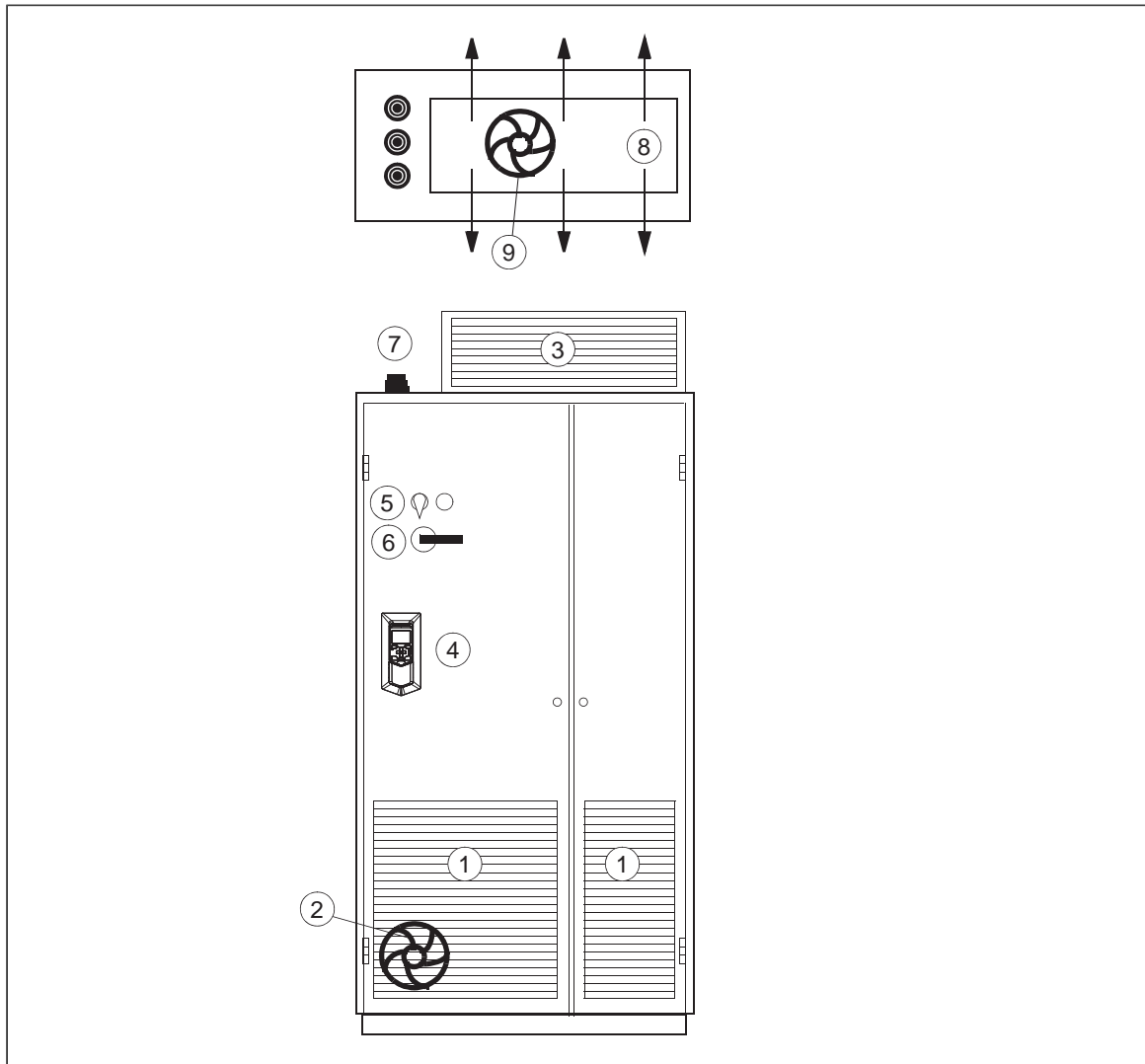
### **Installation positions of the drive module**

The drive module must be installed in an upright bookshelf position in a cabinet.

---

## Layout example, door closed

This diagram shows a cabinet layout example with the input power cable entry from top and the motor cable entry from bottom.

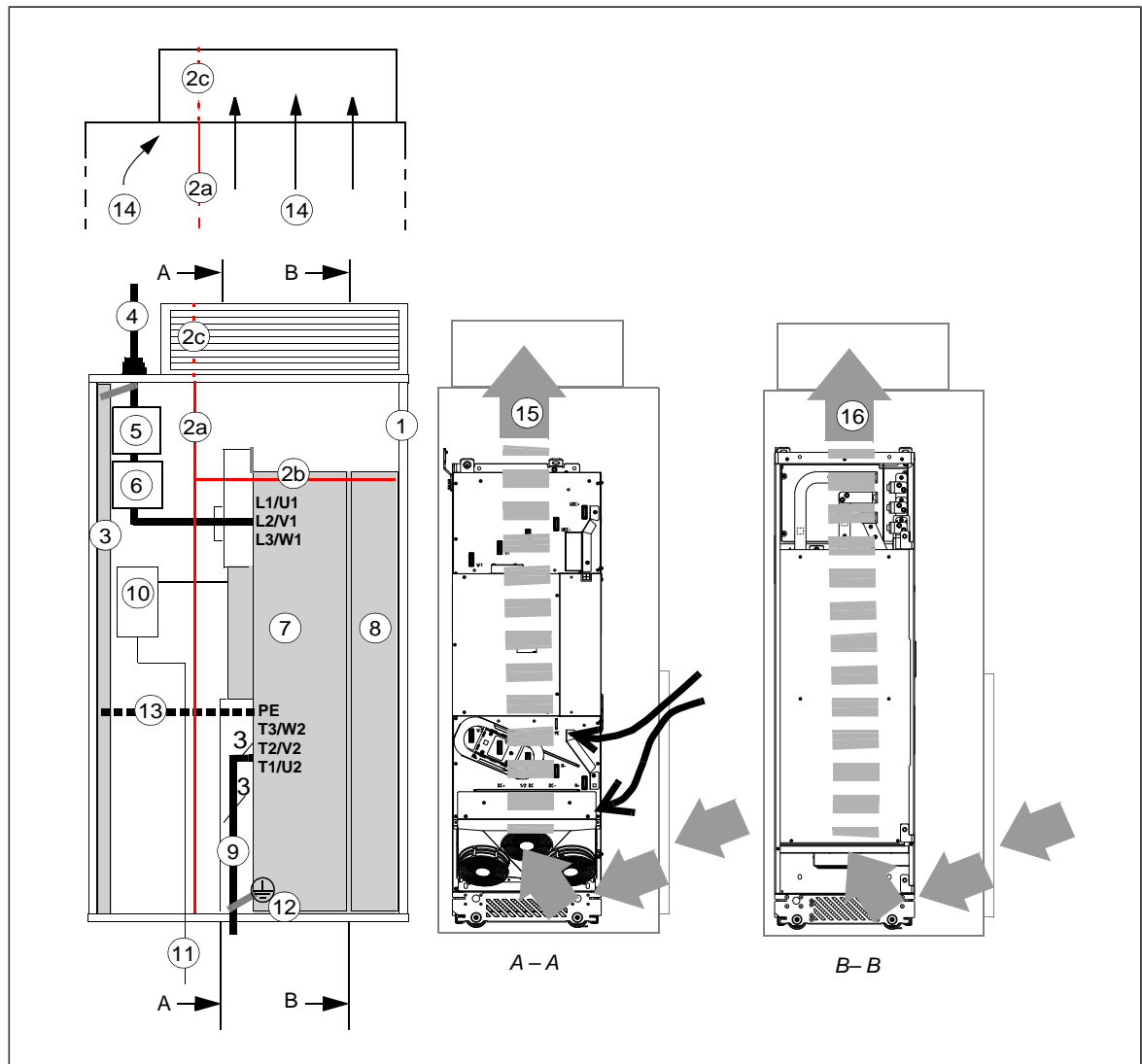


1	Air inlet for the drive module	6	Operating handle of the disconnecter
2	An extra fan is not necessary if an extra air baffle is used on the cabinet roof (see the following layout examples)	7	Rubber grommets for degree of protection
3	Air outlet for the drive module and LCL filter module and other equipment on the cabinet roof. An exhaust fan if needed.	8	Roof air flow viewed from top
4	Drive control panel with DPMP-01 mounting platform (option +J410). The control panel is connected to the drive module control unit inside the cabinet.	9	Fan required for IP20, IP42 or IP54 air outlet kit, has to be ordered separately. See <a href="#">Cooling fans (page 177)</a> .
5	Contactor control switch and emergency stop switch (connected to the contactor control circuit inside the cabinet)	-	

**Note:** The sizes of the air inlet and outlet gratings are critical for proper cooling of the drive module. For losses and cooling data requirements, see the technical data.



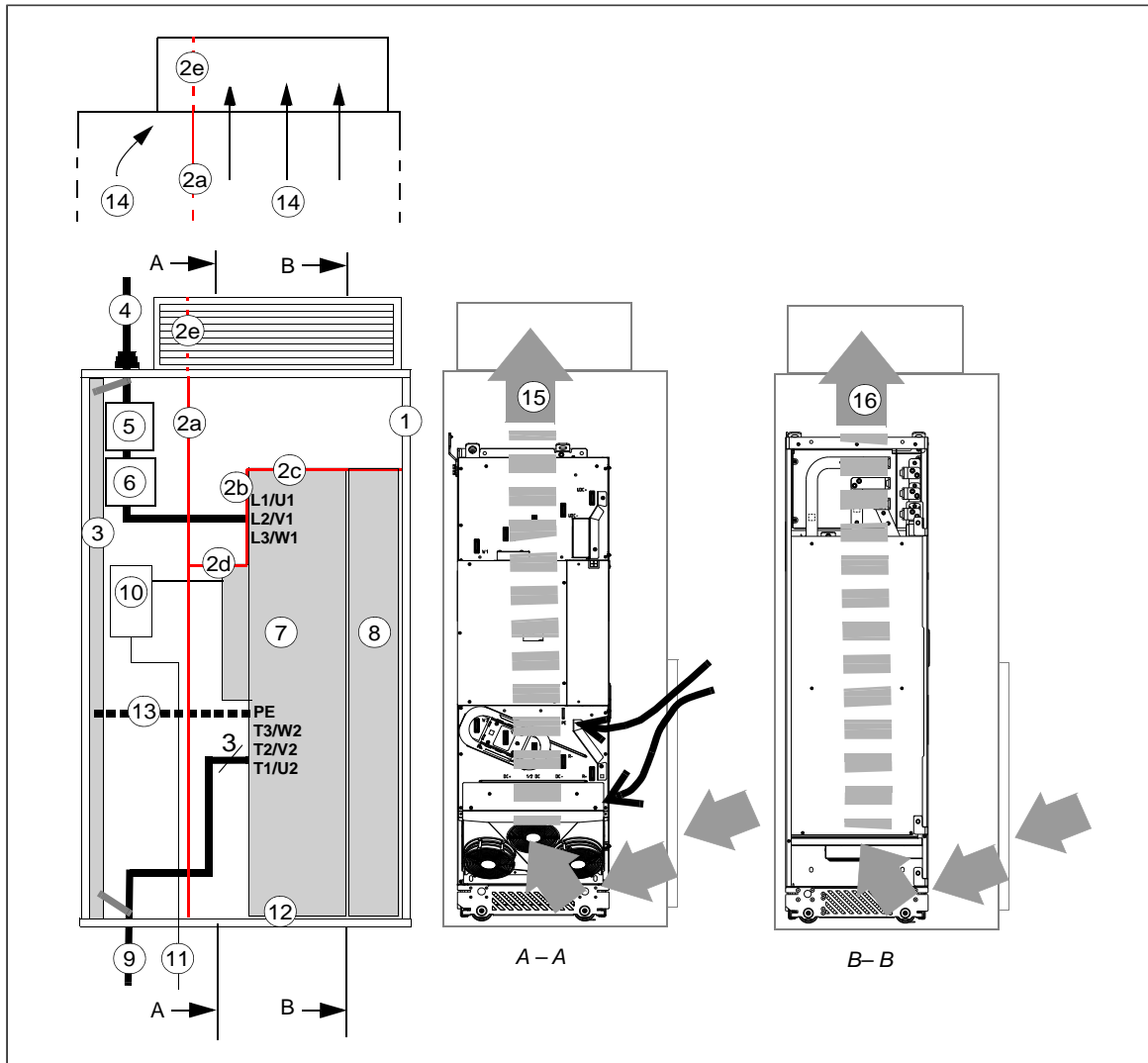
## Layout example, door open (standard drive module configuration)



1	Supporting frame of the cabinet	8	LCL filter module
2a	Vertical (2a) and horizontal (2b) air baffles that separate the cool and hot areas (leakproof entries). See section <a href="#">Preventing the recirculation of hot air (page 60)</a> .	9	Motor cable including the protective ground conductor of the drive module
2b		10	Drive module control unit
2c	Optional air baffle that is needed when there is no fan on the lower part of the cabinet door. See section <a href="#">Preventing the recirculation of hot air (page 60)</a> .	11	External control cables
3	Cabinet grounding busbar (PE)	12	Grounding screws
4	Input power cable including the protective ground conductor (PE) of the drive	13	Alternative to grounding screws (12)
5	Disconnecter and fuses	14	Air flow to the roof
6	Contactors	15	Air flow through the drive module
7	Drive module	16	Air flow through the LCL filter

## Layout example, door open (option +0B051)

This diagram shows a layout example for drive modules with no IP20 shrouds (option +0B051) or no cabling panels (option +H381 not included).



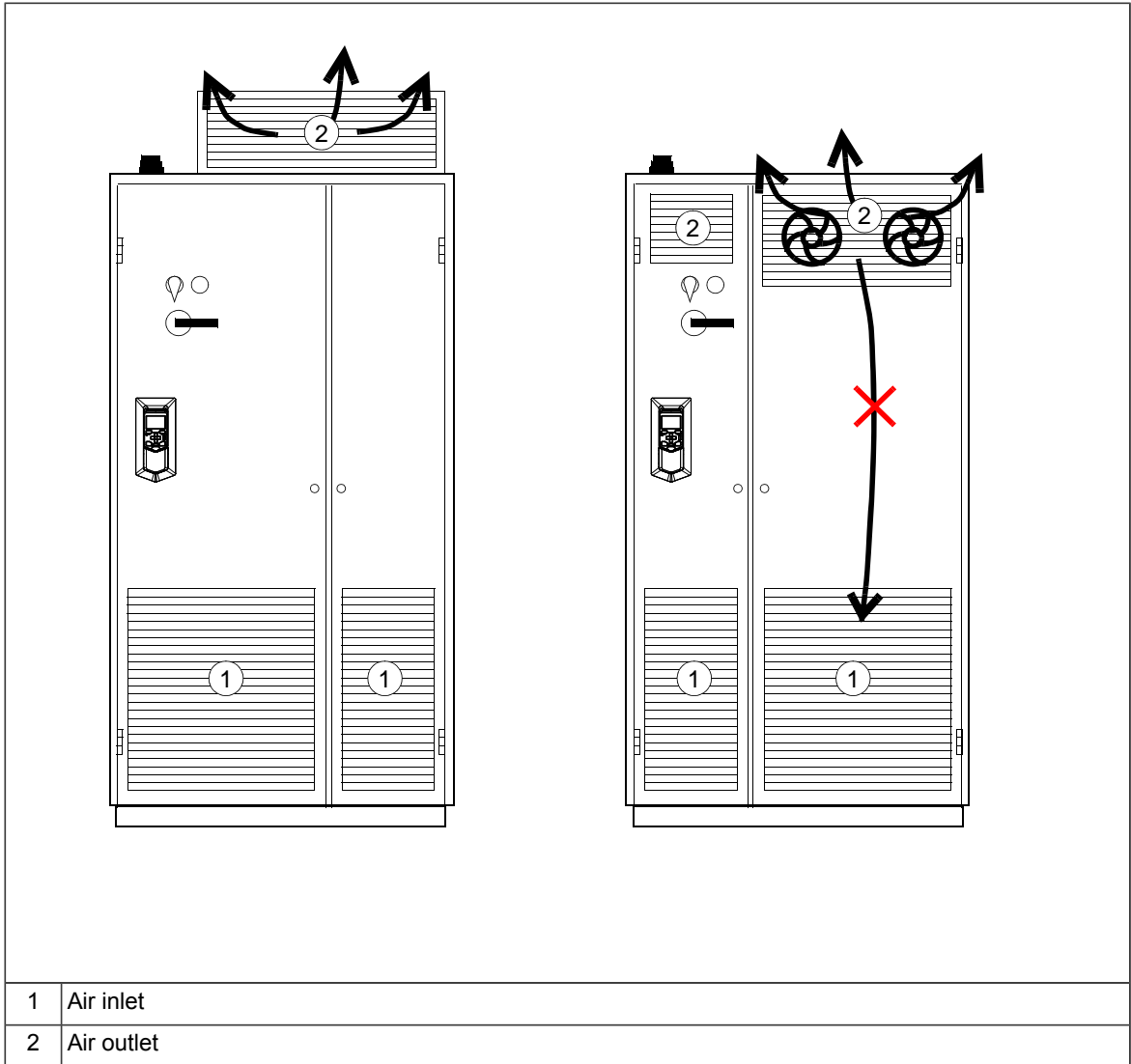
1	Supporting frame of the cabinet	9	Motor cable including the protective ground conductor of the drive module
2	Vertical (2a, 2b) and horizontal (2c, 2d) air baffles that separate the cool and hot areas (leak-proof lead-throughs). See section <i>Preventing the recirculation of hot air</i> (page 60).	10	Drive module control unit
2e	Optional air baffle that is needed when there is no fan on the lower part of the cabinet door. See section <i>Preventing the recirculation of hot air</i> (page 60).	11	External control cables
3	Cabinet grounding busbar (PE)	12	Grounding screws
4	Input power cable including the protective ground conductor (PE) of the drive	13	Alternative to grounding screws (12)
5	Disconnecter and fuses	14	Air flow to the roof
6	Contactors	15	Air flow through the drive module
7	Drive module	16	Air flow through the LCL filter
8	LCL filter module	-	-

**Note:** The power cable shields can also be grounded to the drive module grounding terminals.

**Note:** See also section [Required free space \(page 62\)](#).

## Cooling solutions

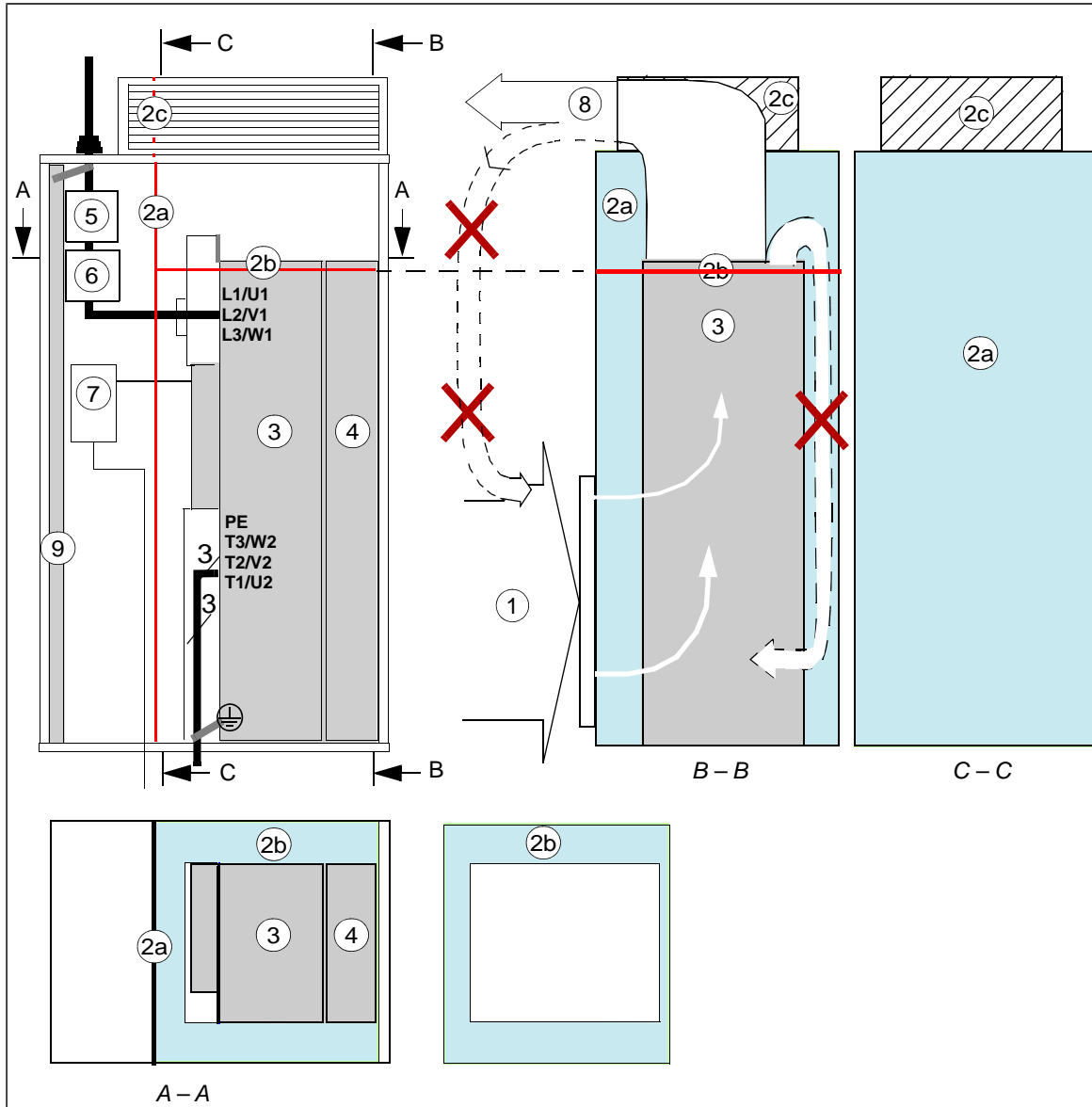
The drawing below shows typical cabinet cooling solutions. The air inlet is at the bottom of the cabinet, while the outlet is on the roof or on the upper part of the door. Use extra exhaust fans if the air outlet is on the cabinet door, see the technical data for the required cooling air flow.



## Preventing the recirculation of hot air

### ■ Bookshelf mounting (standard drive module configuration)

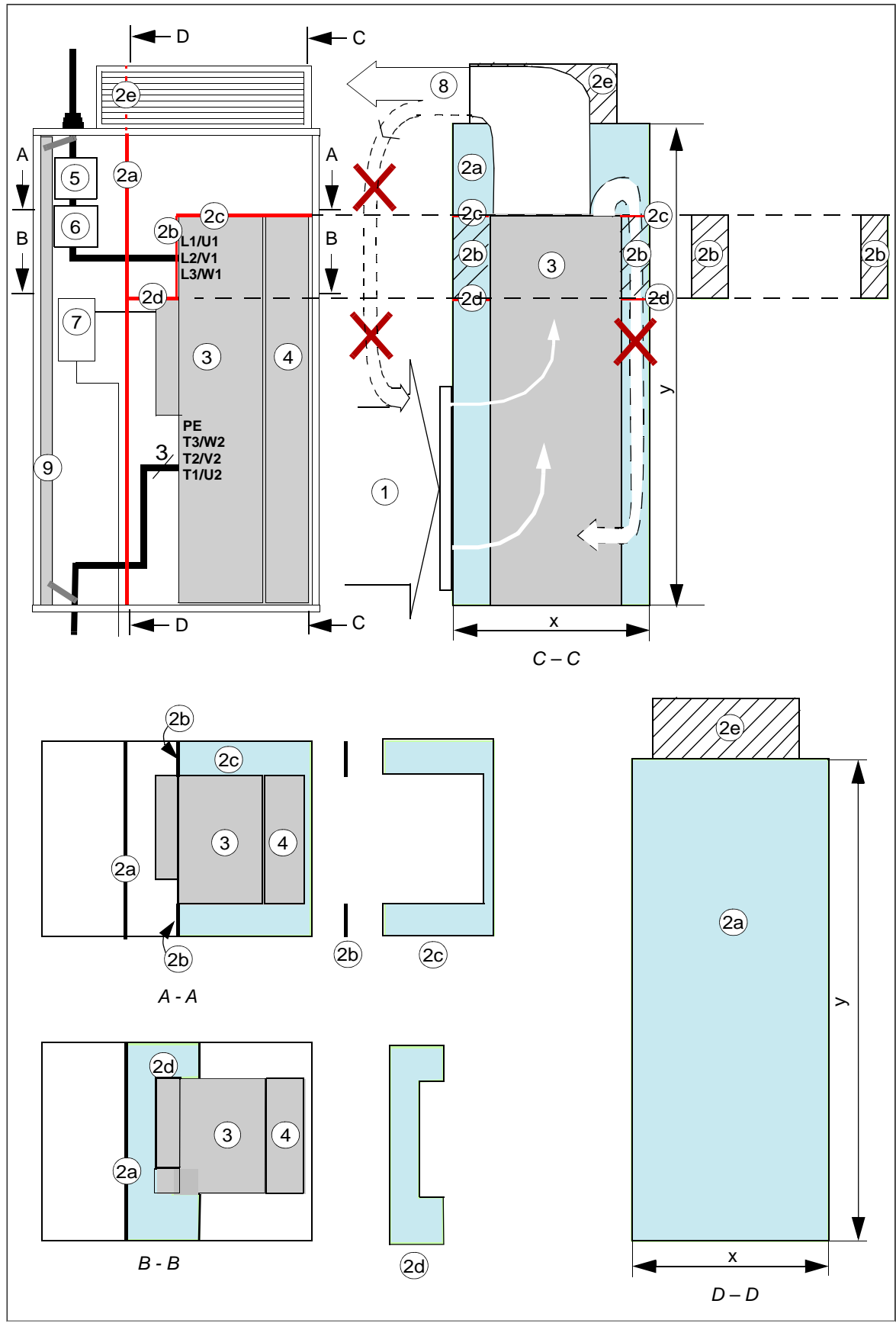
This diagram shows the air baffle position inside an example cabinet. For dimensions of the baffle, see the dimension drawings.



1	Air flow to the drive modules, max. 40 °C (104 °F)	5	Disconnecter and fuses
2a	Vertical air baffle that separates the cool and hot areas in the cabinet	6	Contactors
2b	Horizontal air baffle	7	Drive control unit
2c	Optional air baffle that is needed when there is no fan on the lower part of the cabinet door	8	Air flow out
3	Drive module	9	Cabinet grounding busbar (PE)
4	LCL filter module	-	-

■ **Bookshelf mounting (option +0B051)**

This diagram shows air baffle positions inside an example cabinet. For the descriptions, see the next page.



62 Guidelines for planning the mechanical installation

1	Air flow to the drive modules, max. 40 °C (104 °F)	4	LCL filter module
2a	Vertical air baffle that separates the cool and hot areas in the cabinet	5	Disconnecter and fuses
2b	Vertical air baffle	6	Contactors
2c	Upper horizontal air baffle	7	Drive control unit
2d	Lower horizontal air baffle	8	Air flow out
2e	Optional air baffle that is needed when there is no fan on the lower part of the cabinet door	9	Cabinet grounding busbar (PE)
3	Drive module	-	-

■ **Bookshelf mounting (option +H381)**

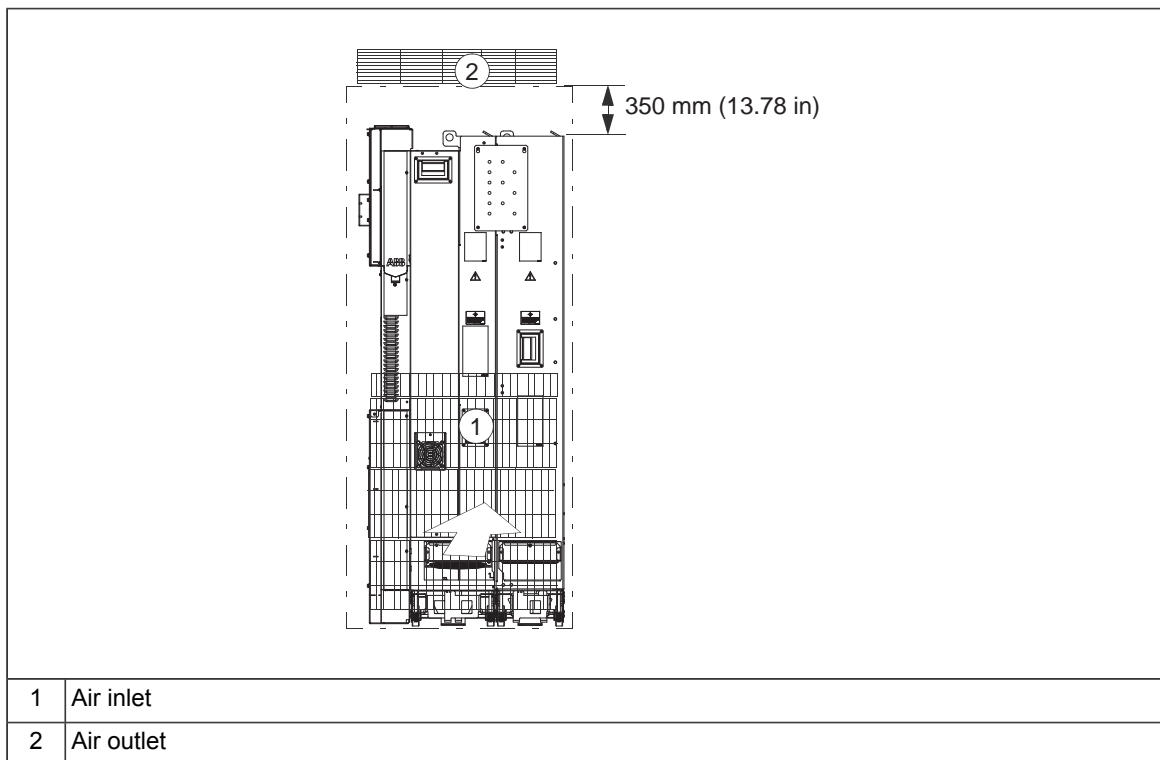
See *Installation example with full cabling panels (option +H381) (page 139)*.

**Required free space**

Free space around the drive module is needed for ensuring that sufficient cooling air flows through the module and the module cools correctly.

■ **Free space at the top of the drive module**

The required free space at the top of the drive module is shown below.



### ■ Free space around the drive module

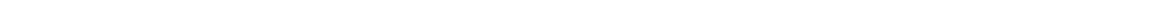
A free space of 20 mm (0.79 in) around the drive module is required from the cabinet back panel and front door. No free space for cooling is required on the left- and right-hand sides of the module.

The module can be installed in a cabinet with the following dimensions:

- width 800 mm (31.50 in)
- depth 600 mm (23.62 in)
- height 2000 mm (78.74 in).

### **ABB air inlet and outlet kits**

See chapter [Ordering information \(page 173\)](#).





# 6

## Mechanical installation

---

### Contents of this chapter

This chapter describes alternatives of the mechanical installation of the drive module. It refers to the installation example chapters which contain instructions that depend on the selected drive configuration.



### Examining the installation site

The material below the drive must be non-flammable and strong enough to carry the weight of the drive.

See section [Ambient conditions \(page 195\)](#) for the allowed ambient conditions and section [Losses, cooling data and noise \(page 190\)](#) for the required cooling air.

### Moving and unpacking

---

**WARNING!**

Obey the safety instructions of the drive. If you ignore them, injury or death, or damage to the equipment can occur.

---

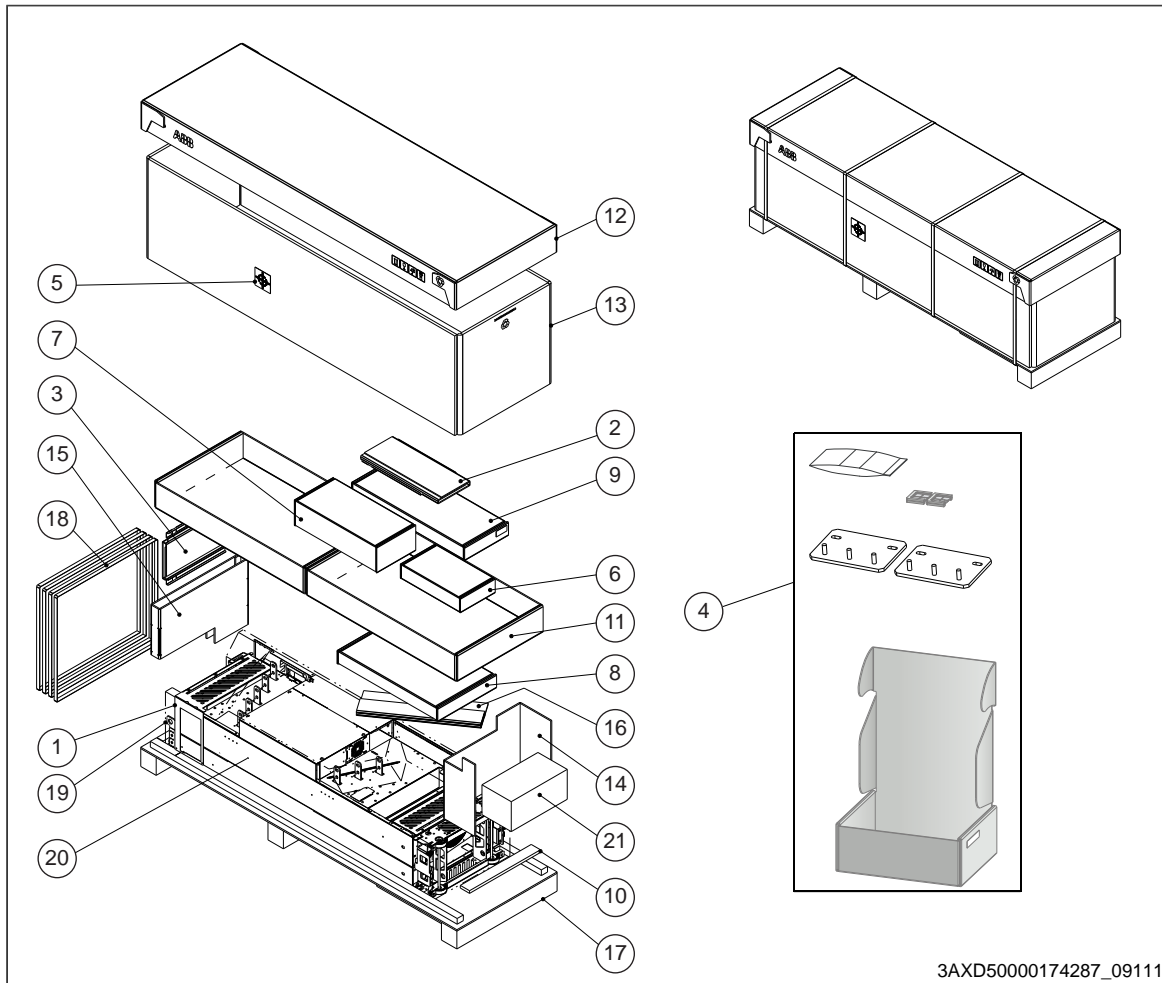
Move the transport package by pallet truck to the installation site.

To unpack the package:

- Cut the straps.
  - Lift the lid.
  - Lift the sleeve.
  - Unpack the top boxes (drive module package).
  - Insert lifting hooks to the drive and LCL filter module lifting lugs and lift the modules to the installation place.
-

■ Package drawings

Drive module package without option +E202

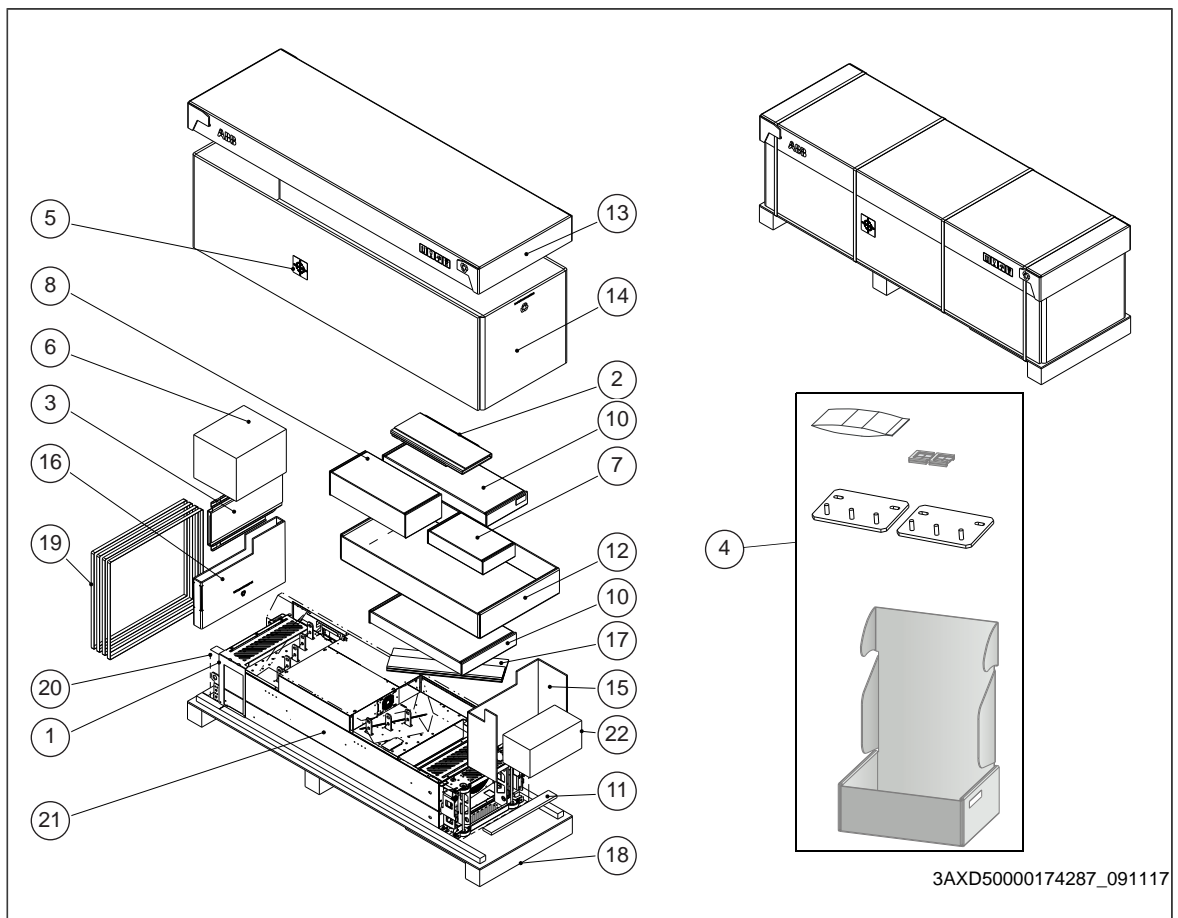


3AXD50000174287\_091117

Transport package contents	
1	Finger guard
2	Pedestal guide plate for the LCL filter module
3	Pedestal guide plate for the drive module
4	Accessories box See the box contents on the following pages.
5	Center of gravity symbol
6	Package for LCL filter fan
7	Package for LCL filter pedestal
8	Telescopic extraction/installation ramp
9	<u>Package for option +H370:</u> Full-size input power cable connection terminals and PE busbar.
10	Plywood support
11	<u>With standard drive module configuration:</u> Clear plastic shrouds box and output cable connection terminals box. <u>With option +H370:</u> Also Input cable connection terminals box. See the box contents on the following pages.
12	Lid for sleeve
13	Cardboard sleeve

14–16	Cardboard support
17	Pallet
18	Strap
19	VCI film or bag
20	Drive module with factory installed options and multilingual residual voltage warning sticker, fastening screws in a plastic bag, control panel and cable or control panel with door mounting kit (option +J410), delivery documents, printed multilingual installation and start-up quick guides. Other printed manuals with option +R700.
21	External control unit

**Package with option +E202**



**Transport package contents**

1	<u>With standard drive module configuration:</u> Clear plastic shrouds. <u>With option +H381:</u> Input cabling panel parts. See below for the box contents.
2	Pedestal guide plate for the LCL filter module
3	Pedestal guide plate for the drive module
4	Accessories box See below for the box contents
5	Center of gravity symbol
6	Package for EMC filter ARFI-10 (option +E202)
7	Package for LCL filter fan
8	Package for LCL filter pedestal

## 68 Mechanical installation

9	Telescopic extraction and insertion ramp
10	Package for option H370: Full-size input power cable connection terminals and PE busbar.
11	Plywood support
12	<u>With standard drive module configuration:</u> Clear plastic shrouds box and output cable connection terminals box. <u>With option +H370:</u> Also Input cable connection terminals box. See below for the box contents.
13	Lid for sleeve
14	Cardboard sleeve
15–17	Cardboard support
18	Pallet
19	Strap
20	VCI film or bag
21	Drive module with factory installed options and multilingual residual voltage warning sticker, fastening screws in a plastic bag, control panel and cable or control panel with door mounting kit (option +J410), delivery documents, printed multilingual installation and start-up quick guides. Other printed manuals with option +R700.
22	External control unit

### Boxes

<p>3AXD50000009484</p>	<b>Shroud box with standard drive module configuration</b>	
	1	Paper fill
	2	Clear plastic shroud for output cabling
	3	Cardboard box cover
	4	Cardboard box bottom
	5	Support
	6	Bands
	7	Back clear plastic shroud (lower)
	8	Back clear plastic shroud (upper)
	9	Front clear plastic shroud
	10	Clear plastic shroud for input cabling
	11	Top clear plastic shroud
	12	Clear plastic shroud for input cable entry from side
	13	Screws in a plastic bag
14	Metallic shroud without ground bar	

**Option +H381 box: Input power cabling panel parts**

1	Screw package
2	Paper fill
3	Code label
4	Output power cabling panel
5	Input power cabling panel
6	Grounding busbar to be connected to the input power cabling panel and the drive module
7	Cardboard box bottom
8	Cardboard box cover
9	Rubber grommet
10	Strap
11	Support bracket



**Output connection terminals box with standard drive module configuration**

1	Paper fill
2	Output cable connection terminal T3/W2
3	Output cable connection terminal T2/V2
4	Output cable connection terminal T1/U2
5	Grounding terminal
6	Cardboard box
7	Screws and insulators in a plastic bag

## 70 Mechanical installation

Option +H370: input cable connection terminals box	
1	Metallic shroud with ground bar
2	Paper fill
3	Input cable connection terminal L3/W1
4	Input cable connection terminal L2/V1
5	Input cable connection terminal L1/U1
6	Cardboard box
7	Screws and insulators in a plastic bag

3AXD5000009522

Ramp box	
1	Cardboard box
2	Combi screws (4 pcs)
3	Ramp extension (50 to 150 mm)
4	Ramp up to 50 mm

3AXD50000476145



Accessories box	
1	Screw package
2	Busbar for main contactor - LCL connection (3 pcs)
3	Busbar for IGBT - LCL connection (3 pcs)
4	Cardboard box
5	Installation bracket (2 pcs)
6	Feed through (2 pcs)

3AXD50000477104

### LCL filter module package

3AXD50000113651

1	VCI bag
2	Plywood support
3	Lid for cardboard sleeve
4	Cardboard sleeve
5	Cardboard support
6	Pallet
7	Strap
8	LCL filter module



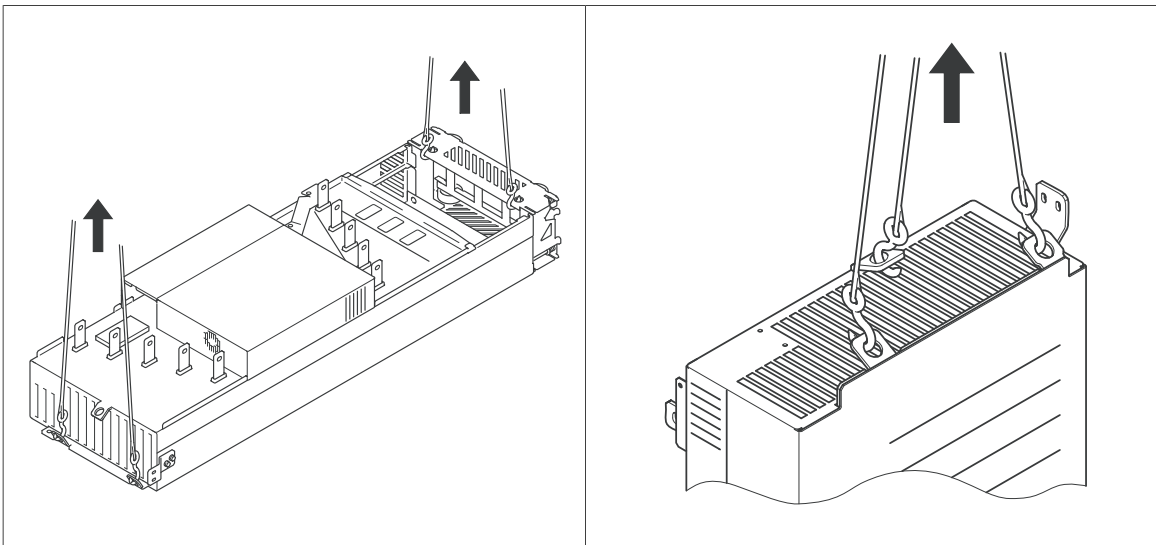
## Examining the delivery

Make sure that all items listed in [Moving and unpacking \(page 65\)](#) are present.

Make sure that there are no signs of damage. Before attempting installation and operation, examine the information on the type designation label of the drive to verify that the unit is of the correct type.

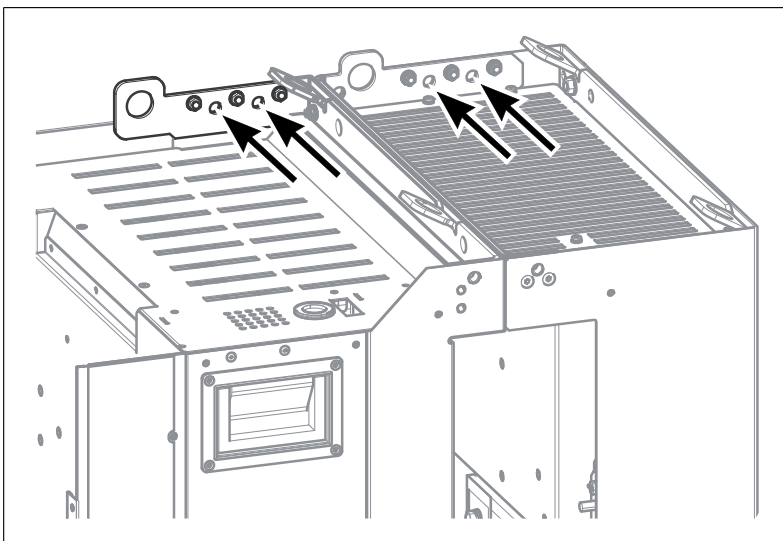
## Lifting

Lift the drive module only by the lifting lugs.



## Attaching the drive module and LCL filter module to a mounting plate or wall

Attach the LCL filter module and the drive module to wall or a mounting plate at the points shown below.



You can attach the modules to Rittal VX25 enclosure with the mounting brackets delivered with the drive, see [Step-by-step drawings for an installation example of standard drive configuration in Rittal VX25 800 mm wide enclosure \(page 245\)](#).



## Attaching the drive module to the LCL filter module

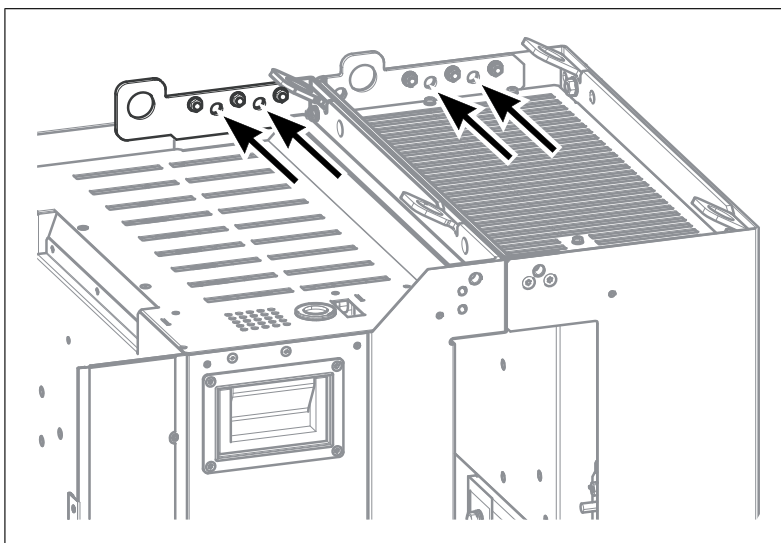
See *Step-by-step drawings for an installation example of standard drive configuration in Rittal VX25 800 mm wide enclosure (page 245)*.

## Attaching the drive module and the LCL filter module to the enclosure base

See *Step-by-step drawings for an installation example of standard drive configuration in Rittal VX25 800 mm wide enclosure (page 245)*.

## Grounding the drive module and the LCL filter module

Ground the drive module and the LCL filter module from the fastening points:

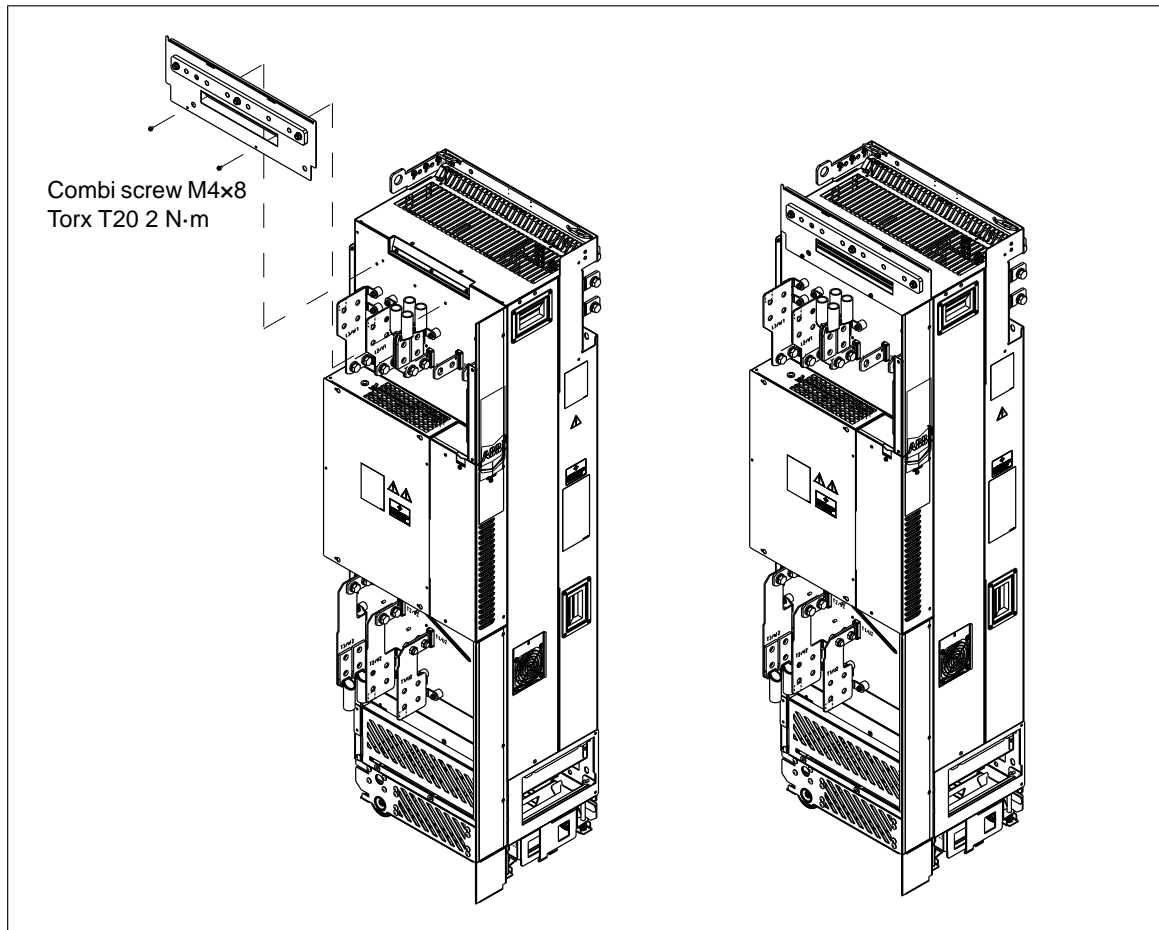


## Installing the drive in Rittal VX25 enclosure

For an installation example on how to install the drive module into a Rittal VX25 enclosure, see *Installation example of the standard drive module configuration in Rittal VX25 enclosure (page 131)* and *Step-by-step drawings for an installation example of standard drive configuration in Rittal VX25 800 mm wide enclosure (page 245)*.

## Optional input power cable connection terminals and ground busbar assembly (+H370)

Install the metallic shroud with ground bar as shown below.



Connect the input power cable connection terminals as shown in [Step-by-step drawings for an installation example of standard drive configuration in Rittal VX25 800 mm wide enclosure \(page 245\)](#).

## Drive module without full-size output cable connection terminals (option +0H371) and IP20 shrouds (option +0B051)

The power cables can be connected directly to the drive module input and output terminals with cable lugs or by busbars. The drive module can also be installed self standing on the floor in an electrical equipment room when the power cable terminals and electrical parts are protected against contact and the drive module is grounded correctly.

# 7

## Guidelines for planning the electrical installation

---

### Contents of this chapter

This chapter contains generic guidelines for planning the electrical installation of the drive.

### Limitation of liability

The installation must always be designed and made according to applicable local laws and regulations. ABB does not assume any liability whatsoever for any installation which breaches the local laws and/or other regulations. Furthermore, if the recommendations given by ABB are not followed, the drive may experience problems that the warranty does not cover.

### Selecting the main supply disconnecting device

You must equip the drive with a main supply disconnecting device which meets the local safety regulations. You must be able to lock the disconnecting device to the open position for installation and maintenance work.

#### ■ European Union

To meet the European Union Directives, according to standard EN 60204-1, Safety of Machinery, the disconnecting device must be one of the following types:

- switch-disconnector of utilization category AC-23B (IEC 60947-3)
  - disconnector that has an auxiliary contact that in all cases causes switching devices to break the load circuit before the opening of the main contacts of the disconnector (EN 60947-3)
  - a circuit-breaker suitable for isolation in accordance with IEC 60947-2.
-

## ■ North America

Installations must be compliant with NFPA 70 (NEC)<sup>1)</sup> and/or Canadian Electrical Code (CE) along with state and local codes for your location and application.

<sup>1)</sup> National Fire Protection Association 70 (National Electric Code).

## ■ Other regions

The disconnecting device must conform to the applicable local safety regulations.

## Selecting the main contactor

You can equip the drive with a main contactor.

Follow these guidelines when you select a customer-defined main contactor:

- Dimension the contactor according to the nominal voltage and current of the drive. Also consider the environmental conditions such as surrounding air temperature.
- IEC devices only: Select contactor with utilization category AC-1 (number of operations under load) according to IEC 60947-4, *Low-voltage switch gear and control gear*.
- Consider the application life time requirements.

## ■ North America

Installations must be compliant with NFPA 70 (NEC)<sup>1)</sup> and/or Canadian Electrical Code (CE) along with state and local codes for your location and application.

<sup>1)</sup> National Fire Protection Association 70 (National Electric Code).

## ■ Other regions

The disconnecting device must conform to the applicable local safety regulations.

## Examining the compatibility of the motor and drive

Use asynchronous AC induction motors, permanent magnet synchronous motors, AC induction servomotors or ABB synchronous reluctance motors (SynRM motors) with the drive.

Select the motor size and drive type from the rating table on basis of the AC line voltage and motor load. You can find the rating table in the appropriate hardware manual. You can also use the DriveSize PC tool.

Make sure that the motor can be used with an AC drive. See [Requirements table \(page 77\)](#). For basics of protecting the motor insulation and bearings in drive systems, see [Protecting the motor insulation and bearings \(page 76\)](#).

### Note:

- Consult the motor manufacturer before using a motor whose nominal voltage differs from the AC line voltage connected to the drive input.
- The voltage peaks at the motor terminals are relative to the supply voltage of the drive, not the drive output voltage.

## ■ Protecting the motor insulation and bearings

The drive employs modern IGBT inverter technology. Regardless of frequency, the drive output comprises pulses of approximately the drive DC bus voltage with a very short rise

---

time. The pulse voltage can almost double at the motor terminals, depending on the attenuation and reflection properties of the motor cable and the terminals. This can cause additional stress on the motor and motor cable insulation.

Modern variable speed drives with their fast rising voltage pulses and high switching frequencies can generate current pulses that flow through the motor bearings. This can gradually erode the bearing races and rolling elements.

$du/dt$  filters protect motor insulation system and reduce bearing currents. Common mode filters mainly reduce bearing currents. Insulated N-end (non-drive end) bearings protect the motor bearings.

#### ■ **Requirements table**

These tables show how to select the motor insulation system and when a drive  $du/dt$  and common mode filters and insulated N-end (non-drive end) motor bearings are required. Ignoring the requirements or improper installation may shorten motor life or damage the motor bearings and voids the warranty.

---

This table shows the requirements when an ABB motor is in use.

Motor type	Nominal AC line voltage	Requirement for			
		Motor insulation system	ABB du/dt and common mode filters, insulated N-end motor bearings		
			$P_n < 100 \text{ kW}$ and frame size < IEC 315	$100 \text{ kW} \leq P_n < 350 \text{ kW}$ or IEC 315 $\leq$ frame size < IEC 400	$P_n \geq 350 \text{ kW}$ or frame size $\geq$ IEC 400
			$P_n < 134 \text{ hp}$ and frame size < NEMA 500	$134 \text{ hp} \leq P_n < 469 \text{ hp}$ or NEMA 500 $\leq$ frame size $\leq$ NEMA 580	$P_n \geq 469 \text{ hp}$ or frame size > NEMA 580
Random-wound M2_, M3_ and M4_	$U_n \leq 500 \text{ V}$	Standard	-	+ N	+ N + CMF
	$500 \text{ V} < U_n \leq 600 \text{ V}$	Standard	+ du/dt	+ N + du/dt	+ N + du/dt + CMF
		or	Reinforced	-	+ N
	$600 \text{ V} < U_n \leq 690 \text{ V}$ (cable length $\leq 150 \text{ m}$ )	Reinforced	+ du/dt	+ N + du/dt	+ N + du/dt + CMF
	$600 \text{ V} < U_n \leq 690 \text{ V}$ (cable length > 150 m)	Reinforced	-	+ N	+ N + CMF
Form-wound HX_ and AM_	$380 \text{ V} < U_n \leq 690 \text{ V}$	Standard	n.a.	+ N + CMF	$P_n < 500 \text{ kW}$ : +N + CMF
					$P_n \geq 500 \text{ kW}$ : +N + du/dt + CMF
Old <sup>1)</sup> form-wound HX_ and modular	$380 \text{ V} < U_n \leq 690 \text{ V}$	Check with the motor manufacturer.	+ N + du/dt with voltages over 500 V + CMF		
Random-wound HX_ and AM_ <sup>2)</sup>	$0 \text{ V} < U_n \leq 500 \text{ V}$	Enamelled wire with fiber glass taping	+ N + CMF		
	$500 \text{ V} < U_n \leq 690 \text{ V}$		+ N + du/dt + CMF		
HDP	Consult the motor manufacturer.				

<sup>1)</sup> manufactured before 1.1.1998

<sup>2)</sup> For motors manufactured before 1.1.1998, check for additional instructions with the motor manufacturer.

This table shows the requirements when a non-ABB motor is in use.

Motor type	Nominal AC line voltage	Requirement for			
		Motor insulation system	ABB $du/dt$ and common mode filters, insulated N-end motor bearings		
			$P_n < 100 \text{ kW}$ and frame size $< \text{IEC 315}$	$100 \text{ kW} \leq P_n < 350 \text{ kW}$ or $\text{IEC 315} \leq \text{frame size} < \text{IEC 400}$	$P_n \geq 350 \text{ kW}$ or frame size $\geq \text{IEC 400}$
$P_n < 134 \text{ hp}$ and frame size $< \text{NEMA 500}$	$134 \text{ hp} \leq P_n < 469 \text{ hp}$ or $\text{NEMA 500} \leq \text{frame size} \leq \text{NEMA 580}$	$P_n \geq 469 \text{ hp}$ or frame size $> \text{NEMA 580}$			
Random-wound and form-wound	$U_n \leq 420 \text{ V}$	Standard: $\hat{U}_{LL} = 1300 \text{ V}$	-	+ N or CMF	+ N + CMF
	$420 \text{ V} < U_n \leq 500 \text{ V}$	Standard: $\hat{U}_{LL} = 1300 \text{ V}$	+ $du/dt$	+ $du/dt$ + (N or CMF)	+ N + $du/dt$ + CMF
		or	Reinforced: $\hat{U}_{LL} = 1600 \text{ V}$ , 0.2 micro-second rise time	-	+ N or CMF
	$500 \text{ V} < U_n \leq 600 \text{ V}$	Reinforced: $\hat{U}_{LL} = 1600 \text{ V}$	+ $du/dt$	+ $du/dt$ + (N or CMF)	+ N + $du/dt$ + CMF
		or	Reinforced: $\hat{U}_{LL} = 1800 \text{ V}$	-	+ N or CMF
	$600 \text{ V} < U_n \leq 690 \text{ V}$	Reinforced: $\hat{U}_{LL} = 1800 \text{ V}$	+ $du/dt$	+ $du/dt$ + N	+ N + $du/dt$ + CMF
		Reinforced: $\hat{U}_{LL} = 2000 \text{ V}$ , 0.3 micro-second rise time <sup>1)</sup>	-	+ N + CMF	+ N + CMF

<sup>1)</sup> If the intermediate DC circuit voltage of the drive is increased from the nominal level due to long term resistor braking cycles, check with the motor manufacturer if additional output filters are needed.

The abbreviations used in the tables are defined below.

Abbr.	Definition
$U_n$	Nominal AC line voltage
$\hat{U}_{LL}$	Peak line-to-line voltage at motor terminals which the motor insulation must withstand
$P_n$	Motor nominal power
$du/dt$	$du/dt$ filter at the output of the drive
CMF	Common mode filter of the drive
N	N-end bearing: insulated motor non-drive end bearing
n.a.	Motors of this power range are not available as standard units. Consult the motor manufacturer.

**Availability of du/dt filter and common mode filter by drive type**

Product type	Availability of du/dt filter	Availability of common mode filter (CMF)
ACS880-34	Ordered separately, see chapter <i>Filters</i> (page 243)	Option +E208

**Additional requirements for explosion-safe (EX) motors**

If you will use an explosion-safe (EX) motor, follow the rules in the requirements table above. In addition, consult the motor manufacturer for any further requirements.

**Additional requirements for ABB motors of types other than M2\_, M3\_, M4\_, HX\_ and AM\_**

Use the selection criteria given for non-ABB motors.

**Additional requirements for the regenerative and low harmonics drives**

It is possible to increase the intermediate circuit DC voltage from the nominal (standard) level with a parameter in the control program. If you choose to do this, select the motor insulation system which withstands the increased DC voltage level.

**Additional requirements for ABB high-output and IP23 motors**

The rated output power of high output motors is higher than what is stated for the particular frame size in EN 50347 (2001).

This table shows the requirements for protecting the motor insulation and bearings in drive systems for ABB random-wound motor series (for example, M3AA, M3AP and M3BP).

Nominal AC supply voltage	Motor insulation system	Requirement for		
		ABB du/dt and common mode filters, insulated N-end motor bearings		
		$P_n < 100 \text{ kW}$	$100 \text{ kW} \leq P_n < 200 \text{ kW}$	$P_n \geq 200 \text{ kW}$
		$P_n < 140 \text{ hp}$	$140 \text{ hp} \leq P_n < 268 \text{ hp}$	$P_n \geq 268 \text{ hp}$
$U_n \leq 500 \text{ V}$	Standard	-	+ N	+ N + CMF
$500 \text{ V} < U_n \leq 600 \text{ V}$	Standard	+ du/dt	+ du/dt + N	+ du/dt + N + CMF
	or			
	Reinforced	-	+ N	+ N + CMF
$600 \text{ V} < U_n \leq 690 \text{ V}$	Reinforced	+ du/dt	+ du/dt + N	+ du/dt + N + CMF

**Additional requirements for non-ABB high-output and IP23 motors**

The rated output power of high-output motors is higher than what is stated for the particular frame size in EN 50347 (2001).

If you plan to use a non-ABB high-output motor or an IP23 motor, consider these additional requirements for protecting the motor insulation and bearings in drive systems:

- If motor power is below 350 kW: Equip the drive and/or motor with the filters and/or bearings according to the table below.
- If motor power is above 350 kW: Consult the motor manufacturer.



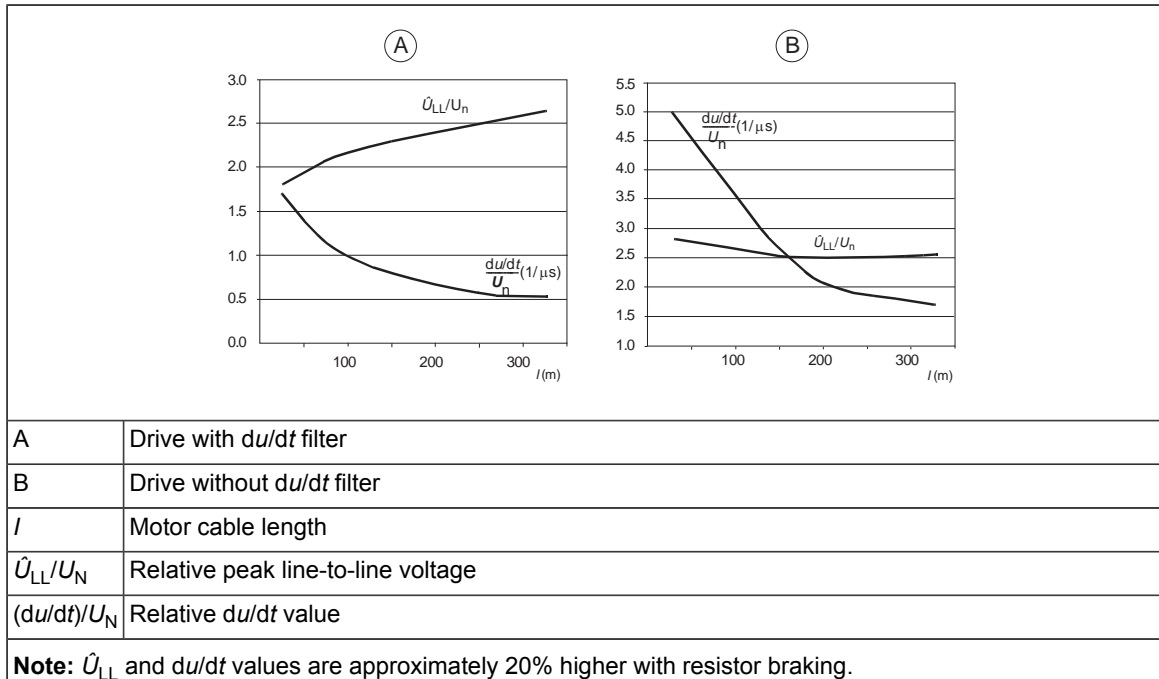
Nominal AC supply voltage	Requirement for		
	Motor insulation system	ABB du/dt and common mode filters, insulated N-end motor bearings	
		$P_n < 100 \text{ kW}$ or frame size < IEC 315	$100 \text{ kW} < P_n < 350 \text{ kW}$ or IEC 315 < frame size < IEC 400
	$P_n < 134 \text{ hp}$ or frame size < NEMA 500	$134 \text{ hp} < P_n < 469 \text{ hp}$ or NEMA 500 < frame size < NEMA 580	
$U_n \leq 420 \text{ V}$	Standard: $\hat{U}_{LL} = 1300 \text{ V}$	+ N or CMF	+ N or CMF
$420 \text{ V} < U_n < 500 \text{ V}$	Standard: $\hat{U}_{LL} = 1300 \text{ V}$	+ du/dt + (N or CMF)	+ N + du/dt + CMF
	or Reinforced: $\hat{U}_{LL} = 1600 \text{ V}$ , 0.2 microsecond rise time	+ N or CMF	+ N or CMF
$500 \text{ V} < U_n \leq 600 \text{ V}$	Reinforced: $\hat{U}_{LL} = 1600 \text{ V}$	+ du/dt + (N or CMF)	+ N + du/dt + CMF
	or Reinforced: $\hat{U}_{LL} = 1800 \text{ V}$	+ N or CMF	+ N + CMF
$600 \text{ V} < U_n \leq 690 \text{ V}$	Reinforced: $\hat{U}_{LL} = 1800 \text{ V}$	+ N + du/dt	+ N + du/dt + CMF
	Reinforced: $\hat{U}_{LL} = 2000 \text{ V}$ , 0.3 microsecond rise time <sup>1)</sup>	+ N + CMF	+ N + CMF

<sup>1)</sup> If the intermediate DC circuit voltage of the drive is increased from the nominal level due to long term resistor braking cycles, check with the motor manufacturer if additional output filters are needed.

### Additional data for calculating the rise time and the peak line-to-line voltage

The diagrams below show the relative peak line-to-line voltage and rate of change of voltage as a function of the motor cable length. If you need to calculate the actual peak voltage and voltage rise time considering the actual cable length, proceed as follows:

- Peak line-to line voltage: Read the relative  $\hat{U}_{LL}/U_n$  value from the diagram below and multiply it by the nominal supply voltage ( $U_n$ ).
- Voltage rise time: Read the relative values  $\hat{U}_{LL}/U_n$  and  $(du/dt)/U_n$  from the diagram below. Multiply the values by the nominal supply voltage ( $U_n$ ) and substitute into equation  $t = 0.8 \cdot \hat{U}_{LL}/(du/dt)$ .



### Additional note for sine filters

A sine filter also protects the motor insulation system. The peak phase-to-phase voltage with a sine filter is approximately  $1.5 \cdot U_N$ .

## Selecting the power cables

### ■ General guidelines

Select the input power and motor cables according to local regulations.

- **Current:** Select a cable capable of carrying the maximum load current and suitable for the prospective short-circuit provided by the supply network. The method of installation and ambient temperature affect the cable current carrying capacity. Obey local regulations and laws.
- **Temperature:** For an IEC installation, select a cable rated for at least 70 °C (158 °F) maximum permissible temperature of conductor in continuous use. For North America, select a cable rated for at least 75 °C (167 °F).
- **Note:** For drives with option +B056 (IP55, UL Type 12), select a cable rated for at least 90 °C (194 °F) maximum permissible temperature of conductor in continuous use.
- **Voltage:** 600 V AC cable is accepted for up to 500 V AC. 750 V AC cable is accepted for up to 600 V AC. 1000 V AC cable is accepted for up to 690 V AC.

To comply with the EMC requirements of the CE mark, use one of the preferred cable types. See [Preferred power cable types \(page 83\)](#).

Symmetrical shielded cable reduces electromagnetic emission of the whole drive system as well as the stress on motor insulation, bearing currents and wear.

Metal conduit reduces electromagnetic emission of the whole drive system.

The protective conductor must always have an adequate conductivity.

Unless local wiring regulations state otherwise, the cross-sectional area of the protective conductor must agree with the conditions that require automatic disconnection of the supply

required in 411.3.2. of IEC 60364-4-41:2005 and be capable of withstanding the prospective fault current during the disconnection time of the protective device. The cross-sectional area of the protective conductor can either be selected from the table below or calculated according to 543.1 of IEC 60364-5-54.

This table shows the minimum cross-sectional area of the protective conductor related to the phase conductor size according to IEC/UL 61800-5-1 when the phase conductor and the protective conductor are made of the same metal. If this is not so, the cross-sectional area of the protective grounding conductor shall be determined in a manner which produces a conductance equivalent to that which results from the application of this table.

Cross-sectional area of the phase conductors S (mm <sup>2</sup> )	Minimum cross-sectional area of the corresponding protective conductor S <sub>p</sub> (mm <sup>2</sup> )
S ≤ 16	S <sup>1)</sup>
16 < S ≤ 35	16
35 < S	S/2

1) To comply with standard IEC/EN 61800-5-1 (UL 61800-5-1)

- use a protective earth conductor with a minimum cross-sectional area of 10 mm<sup>2</sup> Cu or 16 mm<sup>2</sup> Al (as an alternative when aluminum cables are permitted),  
or
- use a second protective earth conductor of the same cross-sectional area as the original protective earth conductor,  
or
- use a device that automatically disconnects the supply if the protective earth conductor is damaged.

If the protective earth conductor is separate (that is, it does not form part of the input power cable or the input power cable enclosure), the minimum cross-sectional area must be:

- 2.5 mm<sup>2</sup> when the conductor is mechanically protected,  
or
- 4 mm<sup>2</sup> when the conductor is not mechanically protected.

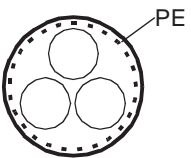
### ■ Typical power cable sizes

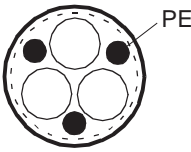
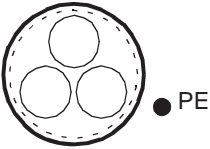
See the technical data.

### ■ Power cable types

#### Preferred power cable types



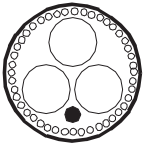
This section presents the preferred cable types. Make sure that the selected cable type also complies with local/state/country electrical codes.

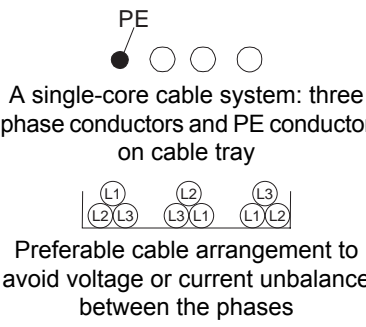

Cable type	Use as input power cabling	Use as motor cabling
 <p>Symmetrical shielded (or armored) cable with three phase conductors and concentric PE conductor as shield (or armor)</p>	Yes	Yes

Cable type	Use as input power cabling	Use as motor cabling
 <p>Symmetrical shielded (or armored) cable with three phase conductors and symmetrically constructed PE conductor and a shield (or armor)</p>	Yes	Yes
 <p>Symmetrical shielded (or armored) cable with three phase conductors and a shield (or armor), and separate PE conductor/cable<sup>1)</sup></p>	Yes	Yes

<sup>1)</sup> A separate PE conductor is required if the conductivity of the shield (or armor) is not sufficient for the PE use.


### Alternate power cable types

Cable type	Use as input power cabling	Use as motor cabling
 <p>Four-conductor cabling in PVC conduit or jacket (three phase conductors and PE)</p>	Yes with phase conductor smaller than 10 mm <sup>2</sup> (8 AWG) Cu.	Yes with phase conductor smaller than 10 mm <sup>2</sup> (8 AWG) Cu, or motors up to 30 kW (40 hp). <b>Note:</b> Shielded or armored cable, or cabling in metal conduit is always recommended to minimize radio frequency interference.
 <p>Four-conductor cabling in metal conduit (three phase conductors and PE), eg, EMT, or four-conductor armored cable</p>	Yes	Yes with phase conductor smaller than 10 mm <sup>2</sup> (8 AWG) Cu, or motors up to 30 kW (40 hp)
 <p>Shielded (Al/Cu shield or armor)<sup>1)</sup> four-conductor cable (three phase conductors and a PE)</p>	Yes	Yes with motors up to 100 kW (135 hp). A potential equalization between the frames of motor and driven equipment is required.

Cable type	Use as input power cabling	Use as motor cabling
 <p>A single-core cable system: three phase conductors and PE conductor on cable tray</p> <p>Preferable cable arrangement to avoid voltage or current imbalance between the phases</p>	<p>Yes</p>  <p><b>WARNING!</b> If you use unshielded single-core cables in an IT network, make sure that the non-conductive outer sheath (jacket) of the cables have good contact with a properly grounded conductive surface. For example, install the cables on a properly grounded cable tray. Otherwise voltage may become present on the non-conductive outer sheath of the cables, and there is even a risk of an electric shock.</p>	No

1) Armor may act as an EMC shield, as long as it provides the same performance than a concentric EMC shield of a shielded cable. To be effective at high frequencies, the shield conductivity must be at least 1/10 of the phase conductor conductivity. The effectiveness of the shield can be evaluated based on the shield inductance, which must be low and only slightly dependent on frequency. The requirements are easily met with a copper or aluminum shield/armor. Cross-section of a steel shield has to be ample and the shield helix low gradient. Galvanizing increases the high-frequency conductivity.

**Not allowed power cable types**

Cable type	Use as input power cabling	Use as motor cabling
 <p>Symmetrical shielded cable with individual shields for each phase conductor</p>	No	No

■ **Additional guidelines, North America**

ABB recommends the use of conduit for power wiring to the drive and between the drive and the motor(s). Due to the variety of application needs, metallic and non-metallic conduit can be used. ABB recommends the use of metallic conduit.

The following table shows examples of various materials and methods for wiring the drive in the intended application. See NEC 70 along with state and local codes for the appropriate materials for your application.

In all applications, ABB prefers the use of symmetrical shielded VFD cable between drive and motor(s).

Wiring method	Notes
Conduit - Metallic <sup>1) 2)</sup>	
Electrical metallic tubing: Type EMT	Prefer symmetrical shielded VFD cable.
Rigid metal conduit: Type RMC	Use separate conduit run for each motor.
Liquid-tight flexible metal electrical conduit: Type LFMC	Do not run input power wiring and motor wiring in the same conduit.
Conduit - Non-metallic <sup>2) 3)</sup>	
Liquid-tight flexible non-metallic conduit: Type LFNC	Prefer symmetrical shielded VFD cable. Use separate conduit run for each motor. Do not run input power wiring and motor wiring in the same conduit.
Wireways <sup>2)</sup>	
Metallic	Prefer symmetrical shielded VFD cable. Separate motor wiring from input power wiring and other low voltage wiring. Do not run outputs of multiple drives parallel. Bundle each cable (wiring) together and use separators where possible.
Free air <sup>2)</sup>	
Enclosures, air handlers, etc.	Prefer symmetrical shielded VFD cable. Allowed internally in enclosures when in accordance with UL.

<sup>1)</sup> Metallic conduit may be used as an additional ground path, provided this path is a solid path capable of handling ground currents.

<sup>2)</sup> See NFPA NEC 70, UL, and local codes for your application.

<sup>3)</sup> Non-metallic conduit use underground is allowed; however, these installations inherently have an increased chance for nuisance problems due to the potential for water/moisture in the conduit. Water/moisture in the conduit increases the likelihood of VFD faults or warnings. Proper installation is required to make sure there is no intrusion of water/moisture.

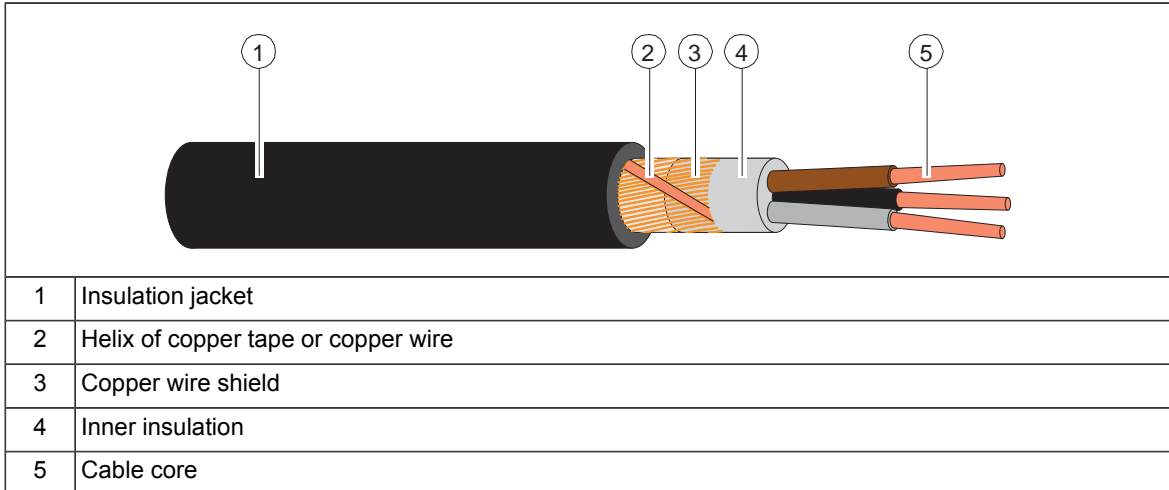
## Metal conduit

Couple separate parts of a metal conduit together: bridge the joints with a ground conductor bonded to the conduit on each side of the joint. Also bond the conduits to the drive enclosure and motor frame. Use separate conduits for input power, motor, brake resistor, and control wiring. Do not run motor wiring from more than one drive in the same conduit.

### ■ Power cable shield

If the cable shield is used as the sole protective earth (PE) conductor, make sure that its conductivity agrees with the PE conductor requirements.

To effectively suppress radiated and conducted radio-frequency emissions, the cable shield conductivity must be at least 1/10 of the phase conductor conductivity. The requirements are easily met with a copper or aluminum shield. The minimum requirement of the motor cable shield of the drive is shown below. It consists of a concentric layer of copper wires with an open helix of copper tape or copper wire. The better and tighter the shield, the lower the emission level and bearing currents.



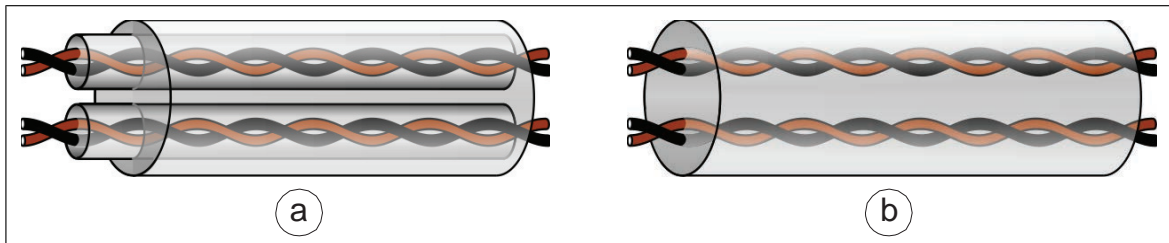
## Selecting the control cables

### ■ Shielding

Only use shielded control cables.

Use a double-shielded twisted pair cable for analog signals. This type of cable is recommended for the pulse encoder signals also. Use one individually shielded pair for each signal. Do not use common return for different analog signals.

A double-shielded cable (a) is the best alternative for low-voltage digital signals, but single-shielded (b) twisted pair cable is also acceptable.



### ■ Signals in separate cables

Run analog and digital signals in separate, shielded cables. Do not mix 24 V DC and 115/230 V AC signals in the same cable.

### ■ Signals that can be run in the same cable

If their voltage does not exceed 48 V, relay-controlled signals can be run in the same cables as digital input signals. The relay-controlled signals should be run as twisted pairs.

### ■ Relay cable

The cable type with braided metallic shield (for example ÖLFLEX by LAPPKABEL, Germany) has been tested and approved by ABB.

### ■ Control panel to drive cable

Use EIA-485 with male RJ-45 connector, cable type Cat 5e or better. The maximum permitted length of the cable is 100 m (328 ft).

■ **PC tool cable**

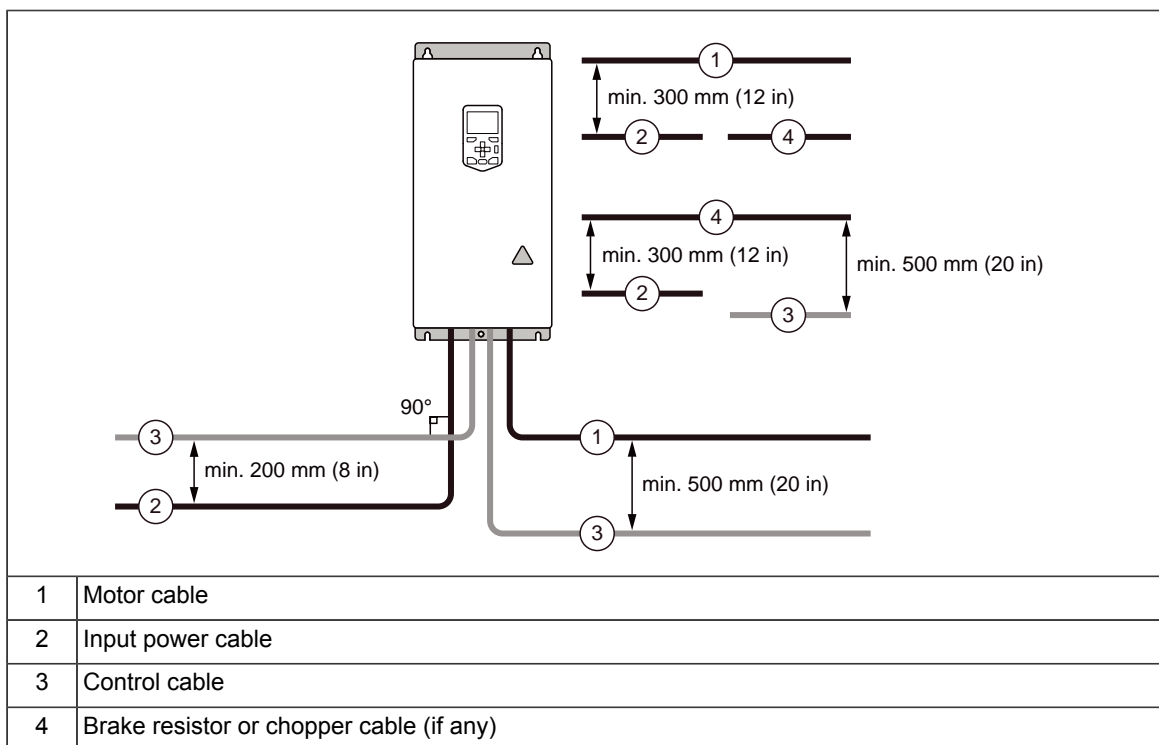
Connect the Drive composer PC tool to the drive through the USB port of the control panel. Use a USB Type A (PC) - Type Mini-B (control panel) cable. The maximum length of the cable is 3 m (9.8 ft).

**Routing the cables**

■ **General guidelines – IEC**

- Route the motor cable away from other cables. Motor cables of several drives can be run in parallel installed next to each other.
- Install the motor cable, input power cable and control cables on separate trays.
- Avoid long parallel runs of motor cables with other cables.
- Where control cables must cross power cables, make sure that they are arranged at an angle as near to 90 degrees as possible.
- Do not run extra cables through the drive.
- Make sure that the cable trays have good electrical bonding to each other and to the grounding electrodes. Aluminum tray systems can be used to improve local equalizing of potential.

The following figure illustrates the cable routing guidelines with an example drive.



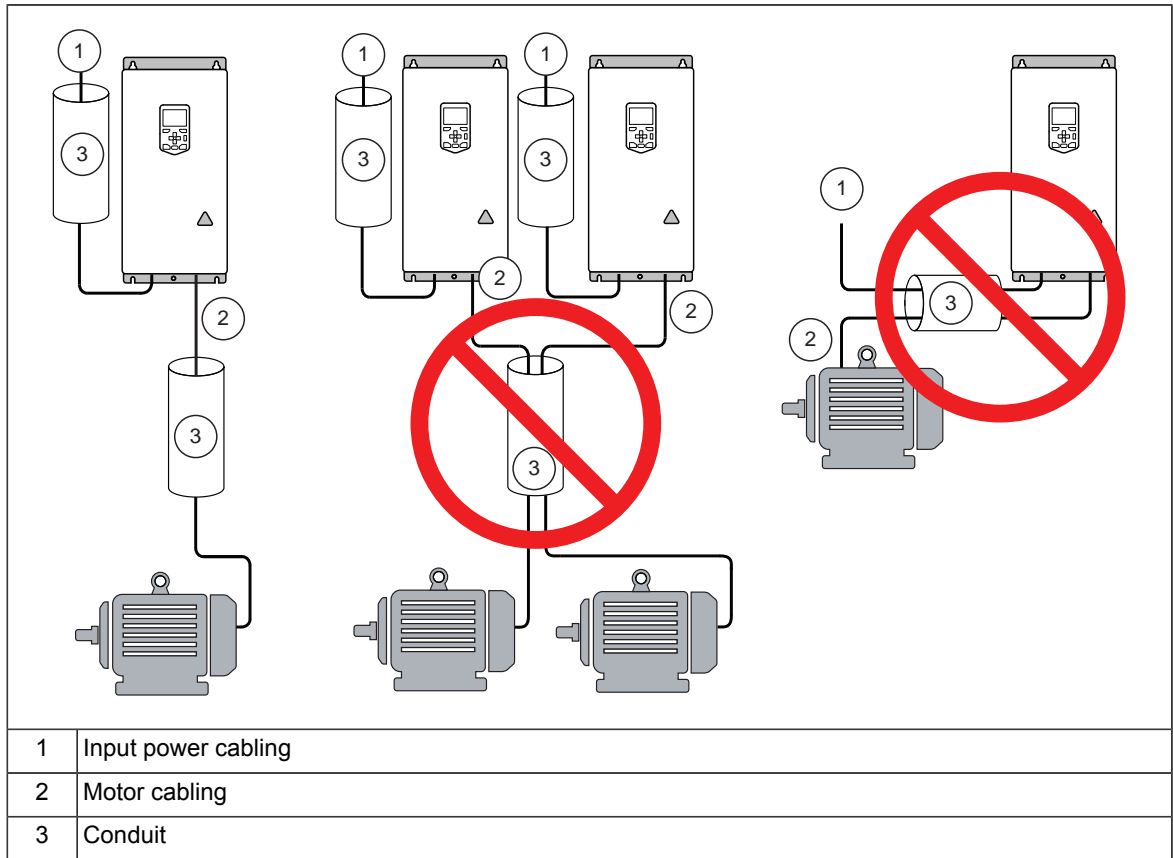
■ **General guidelines – North America**

Make sure that the installation is in accordance with national and local codes. Obey these general guidelines:

- Use separate conduits for the input power, motor, brake resistor (optional), and control cabling.
- Use separate conduit for each motor cabling.



The following figure illustrates the cable routing guidelines with an example drive.



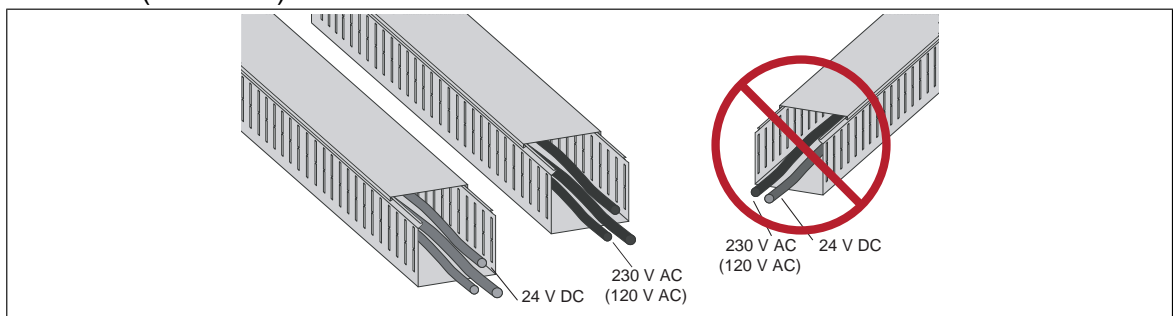
■ **Continuous motor cable shield/conduit or enclosure for equipment on the motor cable**

To minimize the emission level when safety switches, contactors, connection boxes or similar equipment are installed on the motor cable between the drive and the motor:

- Install the equipment in a metal enclosure.
- Use either a symmetrical shielded cable, or install the cabling in a metal conduit.
- Make sure that there is a good and continuous galvanic connection in the shield/conduit between drive and motor.
- Connect the shield/conduit to the protective ground terminal of the drive and the motor.

■ **Separate control cable ducts**

Put 24 V DC and 230 V AC (120 V AC) control cables in separate ducts, unless the 24 V DC cable is insulated for 230 V AC (120 V AC) or insulated with an insulation sleeving for 230 V AC (120 V AC).



## Implementing motor and motor cable short-circuit and thermal overload protection

### ■ Protecting the motor and motor cable in short-circuits

The drive protects the motor cable and motor in a short-circuit situation when the motor cable is sized according to the nominal output current of the drive.

### ■ Protecting the motor cables against thermal overload

The drive protects the motor cables against thermal overload when the cables are sized according to the nominal output current of the drive. No additional thermal protection devices are needed.



#### **WARNING!**

If the drive is connected to multiple motors, use a separate overload protection for each motor cable and motor. The drive overload protection is tuned for the total motor load. It may not detect an overload in one motor circuit only.

North America: The local code (NEC) requires an overload protection and a short-circuit protection for each motor circuit. Use, for example:

- a manual motor protector
- circuit breaker, contactor and overload relay or
- fuses, contactor and overload relay.

---

### ■ Protecting the motor against thermal overload

According to regulations, the motor must be protected against thermal overload and the current must be switched off when overload is detected. The drive includes a motor thermal protection function that protects the motor and switches off the current when necessary. Depending on a drive parameter value, the function either monitors a calculated temperature value (based on a motor thermal model) or an actual temperature indication given by motor temperature sensors.

The motor thermal protection model supports thermal memory retention and speed sensitivity. The user can tune the thermal model further by feeding in additional motor and load data.

The most common temperature sensor types are PTC or Pt100.

For more information, see the firmware manual.

### ■ Protecting the motor against overload without thermal model or temperature sensors

Motor overload protection protects the motor against overload without using motor thermal model or temperature sensors.

Motor overload protection is required and specified by multiple standards including the US National Electric Code (NEC) and the common UL/IEC 61800-5-1 standard in conjunction with UL/IEC 60947-4-1. The standards allow for motor overload protection without external temperature sensors.

The protection feature allows the user to specify the class of operation in the same manner as the overload relays are specified in standards UL/IEC 60947-4-1 and NEMA ICS 2.

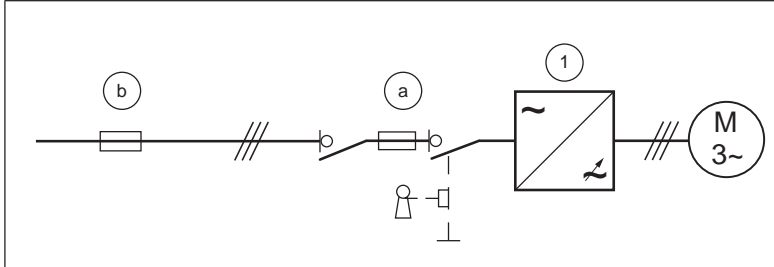
The motor overload protection supports thermal memory retention and speed sensitivity.

---

For more information, see drive firmware manual.

## Protecting the drive and the input power cable in short-circuits

Protect the drive (1) with fuses (a) and the input cable with fuses (b) or a circuit breaker.



Size the fuses or the circuit breaker according to local regulations for the input cable protection. Select the fuses for the drive according to the instructions given in the technical data. The fuses for the drive protection will restrict drive damage and prevent damage to adjoining equipment in case of a short-circuit inside the drive.

**Note:** Circuit breakers must not be used without fuses.



### WARNING!

Due to the inherent operating principle and construction of circuit breakers, independent of the manufacturer, hot ionized gases can escape from the breaker enclosure in case of a short-circuit. To ensure safe use, pay special attention to the installation and placement of the breakers. Obey the manufacturer's instructions.

## Protecting the drive against thermal overload

The drive has overload protection as standard.

## Protecting the input power cable against thermal overload

The drive has overload protection as standard. If the sizing of the input power cable is correct, the drive overload protection protects also the cable against overload. In case of parallel input power cables, it may be necessary to protect each cable separately. Obey the local regulations.

## Implementing a motor temperature sensor connection



### WARNING!

IEC 61800-5-1 requires double or reinforced insulation between live parts and accessible parts when:

- the accessible parts are not conductive, or
- the accessible parts are conductive, but not connected to the protective earth.

Obey this requirement when you plan the connection of the motor temperature sensor to the drive.

You have these implementation alternatives:

1. If there is double or reinforced insulation between the sensor and the live parts of the motor: You can connect the sensor directly to the analog/digital input(s) of the drive. See the control cable connection instructions. Make sure that the voltage does not exceed the maximum allowed voltage over the sensor.
2. If there is basic insulation between the sensor and the live parts of the motor: You can connect the sensor to the analog/digital input(s) of the drive. All other circuits connected to the digital and analog inputs (typically extra-low voltage circuits) must be:
  - protected against contact, and
  - insulated with basic insulation from other low-voltage circuits. The insulation must be rated for the same voltage level as the drive main circuit.

**Note:** Extra-low voltage circuits (for example, 24 V DC) typically do not meet these requirements.

Make sure that the voltage does not exceed the maximum allowed voltage over the sensor.

As an alternative, you can connect the sensor with basic insulation to the analog/digital input(s) of the drive, if you do not connect any other external control circuits to the drive digital and analog inputs.
3. You can connect the sensor to the drive via an option module. The sensor and the module must form a double or reinforced insulation between the motor live parts and the drive control unit. See [Connecting motor temperature sensor to the drive via an option module \(page 92\)](#). Make sure that the voltage does not exceed the maximum allowed voltage over the sensor.
4. You can connect a sensor to a digital input of the drive via an external relay. The sensor and the relay must form a double or reinforced insulation between the motor live parts and the digital input of the drive. Make sure that the voltage does not exceed the maximum allowed voltage over the sensor.

#### ■ **Connecting motor temperature sensor to the drive via an option module**

This table shows:

- option module types that you can use for the motor temperature sensor connection
  - insulation or isolation level that each option module forms between its temperature sensor connector and other connectors
  - temperature sensor types that you can connect to each option module
  - temperature sensor insulation requirement in order to form, together with the insulation of the option module, a reinforced insulation between the motor live parts and the drive control unit.
-

Option module		Temperature sensor type			Temperature sensor insulation requirement
Type	Insulation/Isolation	PTC	KTY	Pt100, Pt1000	
FIO-11	Galvanic isolation between sensor connector and other connectors (including drive control unit connector)	-	x	x	Reinforced insulation
FEN-xx	Galvanic isolation between sensor connector and other connectors (including drive control unit connector)	x	x	-	Reinforced insulation
FAIO-01	Basic insulation between sensor connector and drive control unit connector. No insulation between sensor connector and other I/O connectors.	x	x	x	Basic insulation. Connectors of option module other than sensor connector must be left unconnected.
FPTC-xx <sup>1)</sup>	Reinforced insulation between sensor connector and other connectors (including drive control unit connector).	x	-	-	No special requirement

<sup>1)</sup> Suitable for use in safety functions (SIL2 / PL c rated).

## Protecting the drive against ground faults

The drive is equipped with an internal ground fault protective function to protect the unit against ground faults in the motor and motor cable. This function is not a personnel safety or a fire protection feature. See the firmware manual for more information.

### ■ Residual current device compatibility

The drive is suitable to be used with residual current devices of Type B.

**Note:** As standard, the drive contains capacitors connected between the main circuit and the frame. These capacitors and long motor cables increase the ground leakage current and may cause nuisance faults in residual current devices.

## Implementing the Emergency stop function

For safety reasons, install the emergency stop devices at each operator control station and at other operating stations where emergency stop may be needed. Implement the emergency stop according to relevant standards.

**Note:** You can use the Safe torque off function of the drive to implement the Emergency stop function.

## Implementing the Safe torque off function

See [The Safe torque off function \(page 215\)](#).

## Implementing the undervoltage control (Power-loss ride-through)

See the firmware manual.

## Implementing the functions provided by the FSO-xx safety functions module

You can order a safety function module from ABB. The cabinet builder can use the module for implementing various safety functions.

## Using power factor compensation capacitors with the drive

Power factor compensation is not needed with AC drives. However, if a drive is to be connected in a system with compensation capacitors installed, note the following restrictions.



### WARNING!

Do not connect power factor compensation capacitors or harmonic filters to the motor cables (between the drive and the motor). They are not meant to be used with AC drives and can cause permanent damage to the drive or themselves.

If there are power factor compensation capacitors in parallel with the input of the drive:

1. Do not connect a high-power capacitor to the power line while the drive is connected. The connection will cause voltage transients that may trip or even damage the drive.
2. If capacitor load is increased/decreased step by step when the AC drive is connected to the power line, make sure that the connection steps are low enough not to cause voltage transients that would trip the drive.
3. Make sure that the power factor compensation unit is suitable for use in systems with AC drives, ie, harmonic generating loads. In such systems, the compensation unit should typically be equipped with a blocking reactor or harmonic filter.

## Using a safety switch between the drive and the motor

ABB recommends to install a safety switch between the permanent magnet motor and the drive output. The switch is needed to isolate the motor from the drive during maintenance work on the drive.

## Implementing an ATEX-certified motor thermal protection

With option +Q971, the drive provides ATEX-certified safe motor disconnection without contactor using the drive Safe torque off function. To implement the thermal protection of a motor in explosive atmosphere (Ex motor), you must also:

- use an ATEX-certified Ex motor
- order an ATEX-certified thermistor protection module for the drive (option +L537), or acquire and install an ATEX-compliant protection relay
- do the necessary connections.

For more information, see:

User's manual	Manual code (English)
<i>ATEX-certified Safe disconnection function, Ex II (2) GD for ACS880 drives (+Q971) application guide</i>	<a href="#">3AJUA0000132231</a>

FPTC-02 ATEX-certified thermistor protection module, Ex II (2) GD (option +L537+Q971)  
for ACS880 drives user's manual

[3AXD50000027782](#)

## Controlling a contactor between drive and motor

The control of the output contactor depends on how you use the drive, that is, which motor control mode and which motor stop mode you select.

If you have the DTC motor control mode and the motor ramp stop mode selected, use this operation sequence to open the contactor:

1. Give a stop command to the drive.
2. Wait until the drive decelerates the motor to zero speed.
3. Open the contactor.

If you have the DTC motor control mode and the motor coast stop, or scalar control mode selected, open the contactor as follows:

1. Give a stop command to the drive.
2. Open the contactor.



### **WARNING!**

When the DTC motor control mode is in use, never open the output contactor while the drive controls the motor. The DTC motor control operates extremely fast, much faster than it takes for the contactor to open its contacts. When the contactor starts opening while the drive controls the motor, the DTC control will try to maintain the load current by immediately increasing the drive output voltage to the maximum. This will damage, or even burn the contactor completely.

---

## Implementing a bypass connection

If bypassing is required, employ mechanically or electrically interlocked contactors between the motor and the drive and between the motor and the power line. Make sure with interlocking that the contactors cannot be closed simultaneously. The installation must be clearly marked as defined in IEC/EN 61800-5-1, subclause 6.5.3, for example, "THIS MACHINE STARTS AUTOMATICALLY".



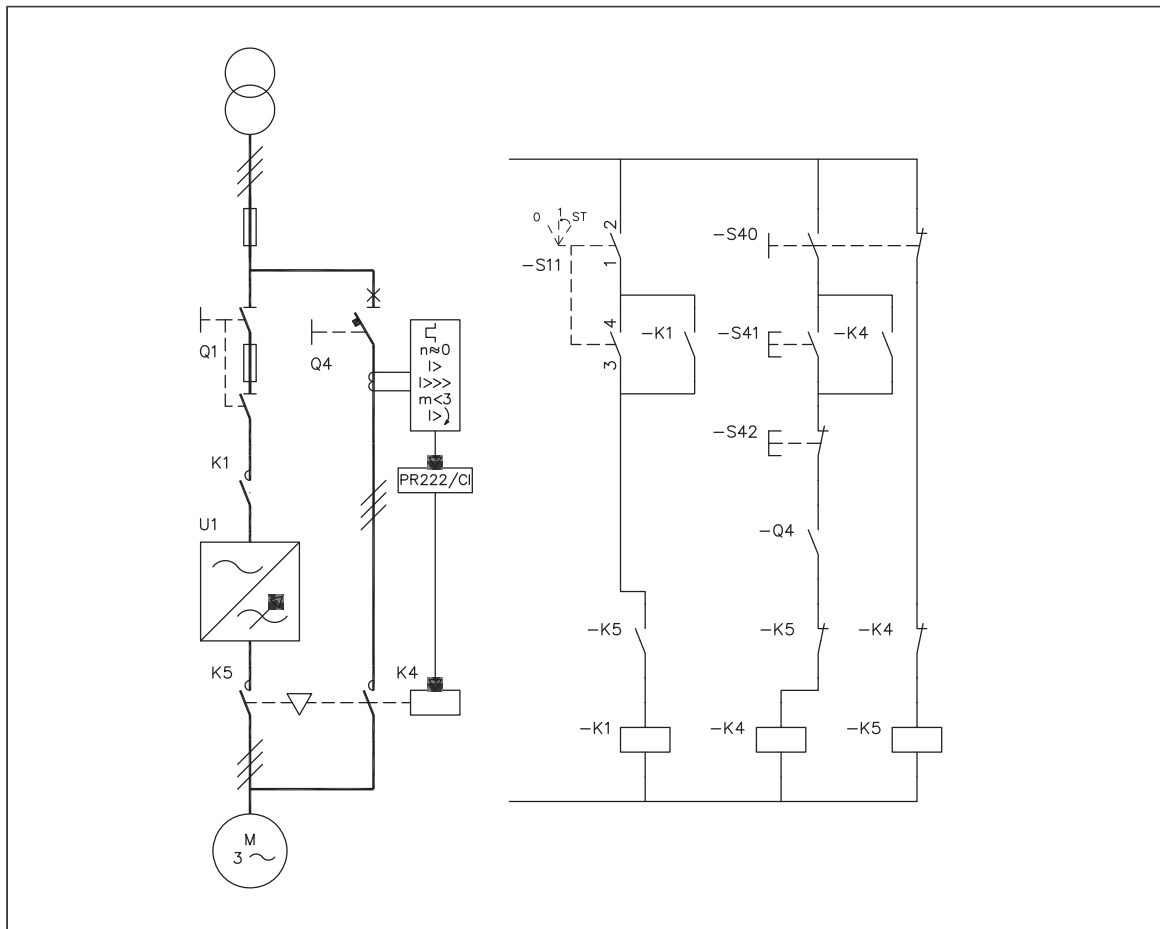
### **WARNING!**

Never connect the drive output to the electrical power network. The connection may damage the drive.

---

■ **Example bypass connection**

An example bypass connection is shown below.



Q1	Drive main switch
Q4	Bypass circuit breaker
K1	Drive main contactor
K4	Bypass contactor
K5	Drive output contactor
S11	Drive main contactor on/off control
S40	Motor power supply selection (drive or direct-on-line)
S41	Start when motor is connected direct-on-line
S42	Stop when motor is connected direct-on-line

**Switching the motor power supply from drive to direct-on-line**

1. Stop the drive and the motor with the drive control panel stop key (drive in the local control mode) or the external stop signal (drive in the remote control mode).
2. Open the main contactor of the drive with S11.
3. Switch the motor power supply from the drive to direct-on-line with S40.
4. Wait for 10 seconds to allow the motor magnetization to dissipate.
5. Start the motor with S41.



### Switching the motor power supply from direct-on-line to drive

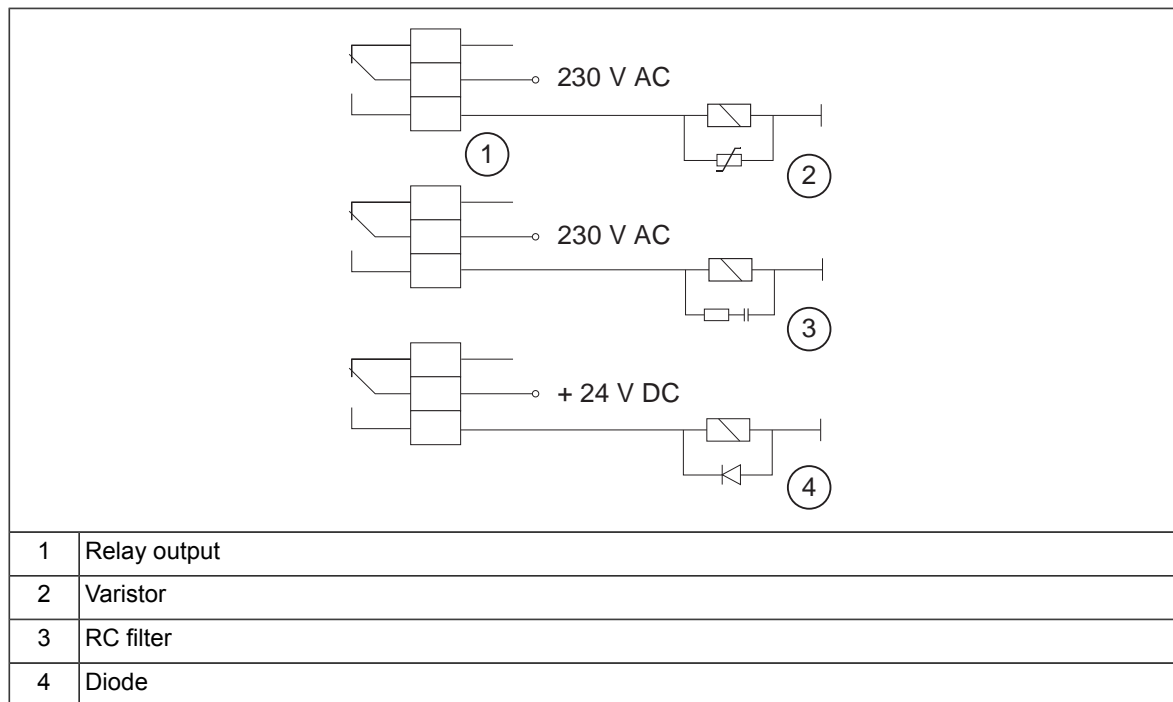
1. Stop the motor with S42.
2. Switch the motor power supply from direct-on-line to the drive with S40.
3. Close the main contactor of the drive with switch S11 (-> turn to position ST for two seconds and leave to position 1).
4. Start the drive and the motor with the drive control panel start key (drive in the local control mode) or the external start signal (drive in the remote control mode).

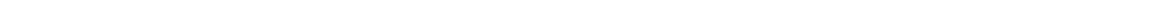
### Protecting the contacts of relay outputs

Inductive loads (relays, contactors, motors) cause voltage transients when switched off.

The relay contacts on the drive control unit are protected with varistors (250 V) against overvoltage peaks. In spite of this, it is highly recommended that inductive loads are equipped with noise attenuating circuits (varistors, RC filters [AC] or diodes [DC]) to minimize the EMC emission at switch-off. If not suppressed, the disturbances may connect capacitively or inductively to other conductors in the control cable and form a risk of malfunction in other parts of the system.

Install the protective component as close to the inductive load as possible. Do not install protective components at the relay outputs.





# 8

## Electrical installation

---

### Contents of this chapter

This chapter gives instructions on the wiring of the drive.

### Safety

---



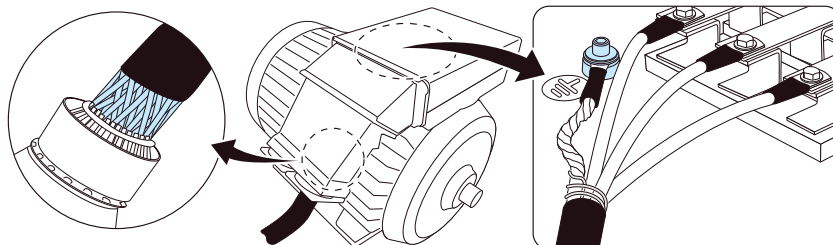
**WARNING!**

If you are not a qualified electrical professional, do not do installation or maintenance work. Obey the safety instructions of the drive. If you ignore them, injury or death, or damage to the equipment can occur.

---

### Grounding the motor cable shield at the motor end

For minimum radio-frequency interference, ground the cable shield 360 degrees at the cable entry of the motor terminal box.



## Measuring the insulation

### ■ Measuring the insulation of the drive



**WARNING!**

Do not do any voltage withstand or insulation resistance tests on any part of the drive as testing can damage the drive. Every drive has been tested for insulation between the main circuit and the chassis at the factory. Also, there are voltage-limiting circuits inside the drive which cut down the testing voltage automatically.

### ■ Measuring the insulation of the input power cable

Before you connect the input power cable to the drive, measure its insulation according to local regulations.

### ■ Measuring the insulation of the motor and motor cable

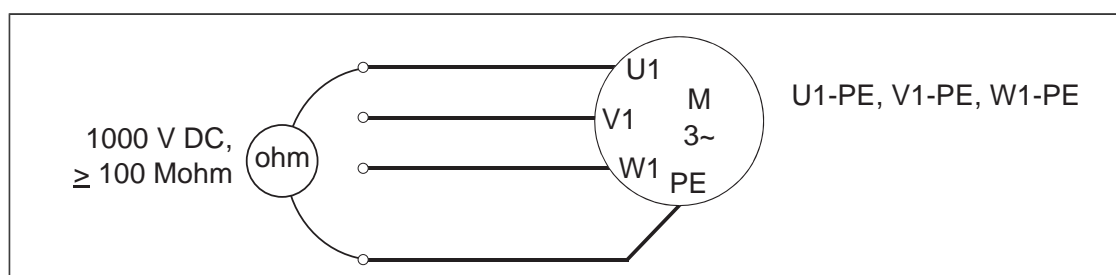


**WARNING!**

Obey the safety instructions of the drive. If you ignore them, injury or death, or damage to the equipment can occur. If you are not a qualified electrical professional, do not do installation or maintenance work.

1. Do the steps in section [Electrical safety precautions \(page 18\)](#) before you start the work.
2. Make sure that the motor cable is disconnected from the drive output terminals.
3. Measure the insulation resistance between each phase conductor and the protective earth conductor. Use a measuring voltage of 1000 V DC. The insulation resistance of an ABB motor must be more than 100 Mohm (reference value at 25 C [77°F]). For the insulation resistance of other motors, refer to the manufacturer's instructions.

**Note:** Moisture inside the motor casing reduces the insulation resistance. If you think that there is moisture in the motor, dry the motor and do the measurement again.



### ■ Measuring the insulation of brake resistor and resistor cable

Obey the instructions given in section [Measuring the insulation of the brake resistor circuit \(page 237\)](#).

## Grounding system compatibility check

The standard drive with no EMC filter or with EMC filter +E210 and the ground-to-phase varistors connected can be installed to a symmetrically grounded TN-S system. If you install the drive to another system, you may need to disconnect the EMC filter and ground-to-phase

varistors. See *ACS880 frames R1 to R11 EMC filter and ground-to-phase varistor disconnecting instructions* ([3AJA0000125152](#) [English]).

---



**WARNING!**

Do not install the drive with EMC filter option +E202 connected to a system that the filter is not suitable for. This can cause danger, or damage the drive.

---

**Note:** When EMC filter +E202 is disconnected, the drive EMC compatibility is considerably reduced.

---



**WARNING!** Do not install the drive with the ground-to-phase varistor connected to a system that the varistor is not suitable for. If you do, the varistor circuit can be damaged.

---



**WARNING!** Do not install the drive on a corner-grounded or midpoint-grounded delta system. Disconnecting the EMC filter and ground-to-phase varistor does not prevent damage to the drive.

---

## Installing the EMC filter (option +E202)

See *ARFI-10 EMC filter installation guide* (3AFE 68317941 [English]).

## Connecting the power cables

---



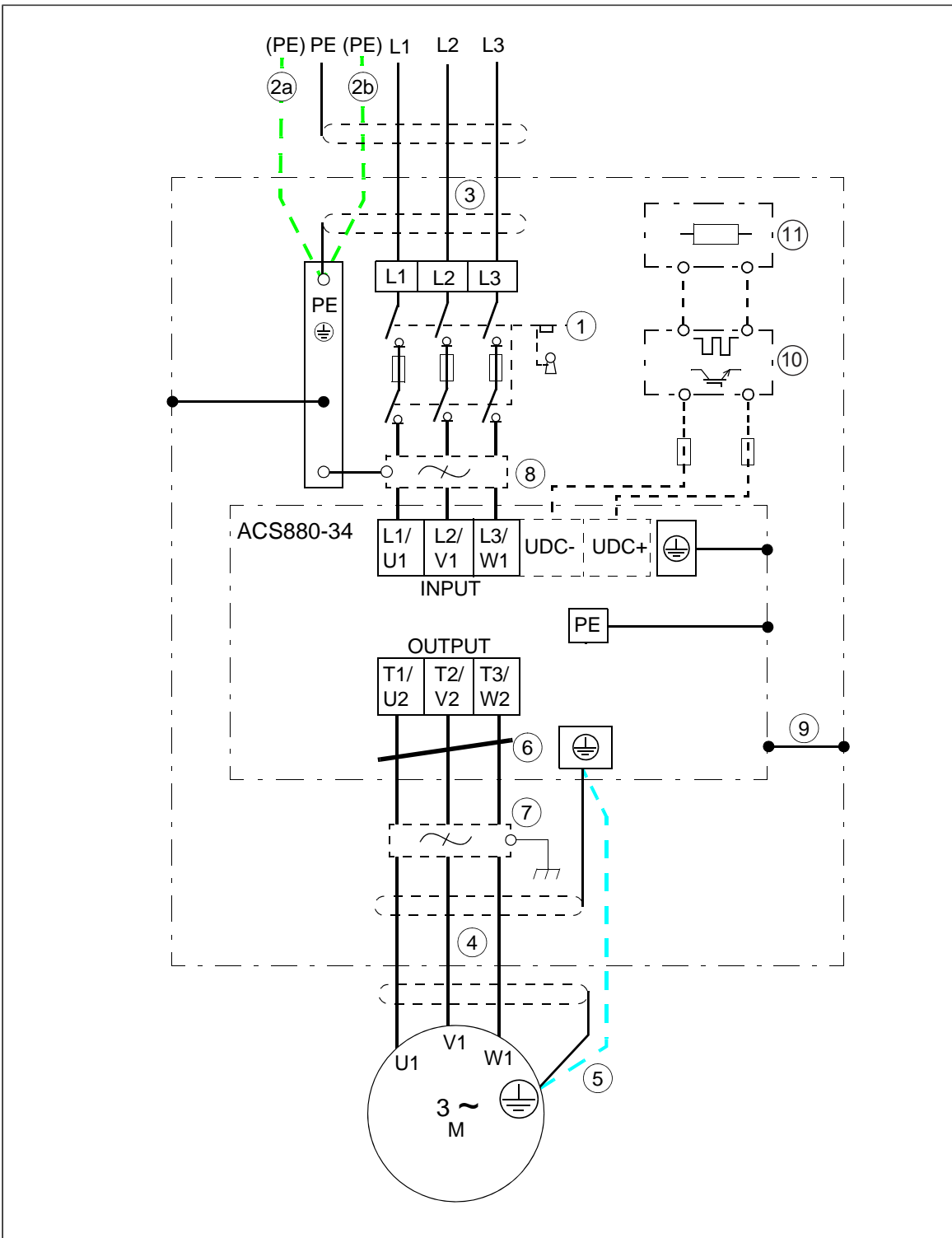
**WARNING!**

Obey the safety instructions of the drive. If you ignore them, injury or death, or damage to the equipment can occur.

---



■ Power cable connection diagram



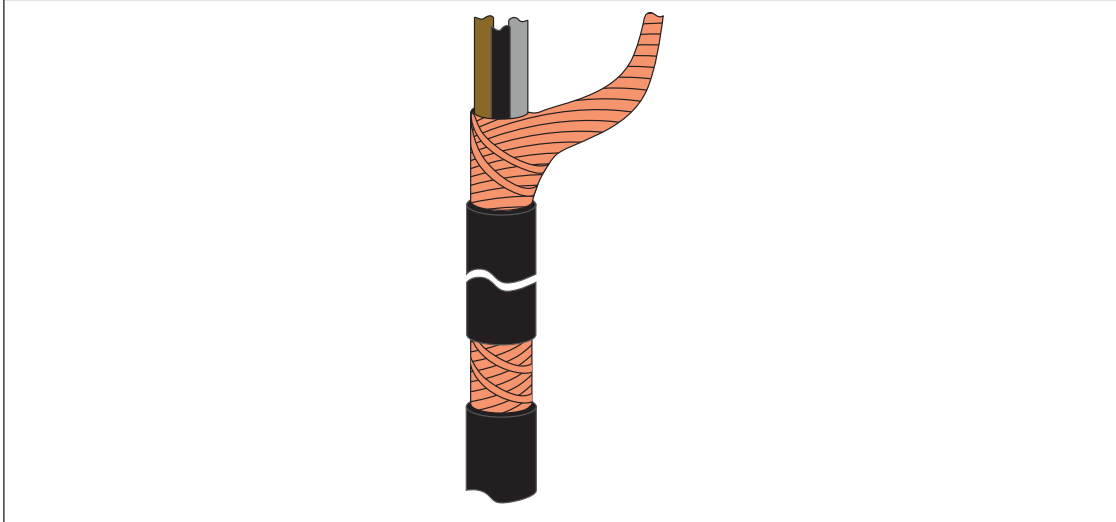
1	For alternatives, see <a href="#">Guidelines for planning the electrical installation (page 75)</a> . In the installing example of this chapter, the disconnecting device is not in the same cubicle with the drive module.
2	If a shielded cable is used (not required but recommended) and the conductivity of the shield is < 50% of the conductivity of the phase conductor, use a separate PE cable (2a) or a cable with a grounding conductor (2b)
3	ABB recommends 360-degree grounding at the cabinet entry if a shielded cable is used. Ground the other end of the input cable shield or PE conductor at the distribution board.
4	ABB recommends 360-degree grounding at the cabinet entry

5	Use a separate grounding cable if the conductivity of the cable shield is < 50% of the conductivity of the phase conductor and there is no symmetrically constructed grounding conductor in the cable (see <a href="#">Guidelines for planning the electrical installation (page 75)</a> )
6	Common mode filter (option)
7	du/dt filter (option)
8	EMC filter (option +E202)
9	The drive module frame must be connected to the cabinet frame. See <a href="#">Grounding of mounting structures (page 46)</a> and section <a href="#">Grounding the drive module and the LCL filter module (page 73)</a> .
10	Brake chopper
11	Brake resistors
<p><b>Note:</b> If there is a symmetrically constructed grounding conductor in the motor cable in addition to the conductive shield, connect the grounding conductor to the grounding terminal at the drive and motor ends.</p> <p>Do not use an asymmetrically constructed motor cable. Connecting its fourth conductor at the motor end increases bearing currents and causes extra wear.</p>	

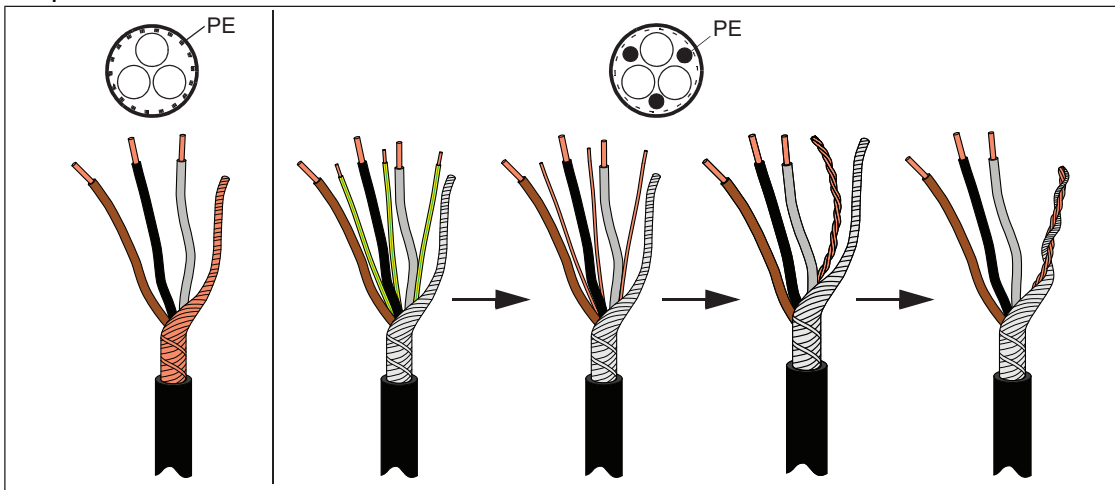


## ■ Preparing the cable ends and making 360-degree grounding at the cable entry

1. Peel off 3...5 cm (1 1/4 ... 2 in) of the outer insulation of the cables at the cable entries with the conductive sleeves for the 360° high-frequency grounding.



2. Prepare the ends of the cables.



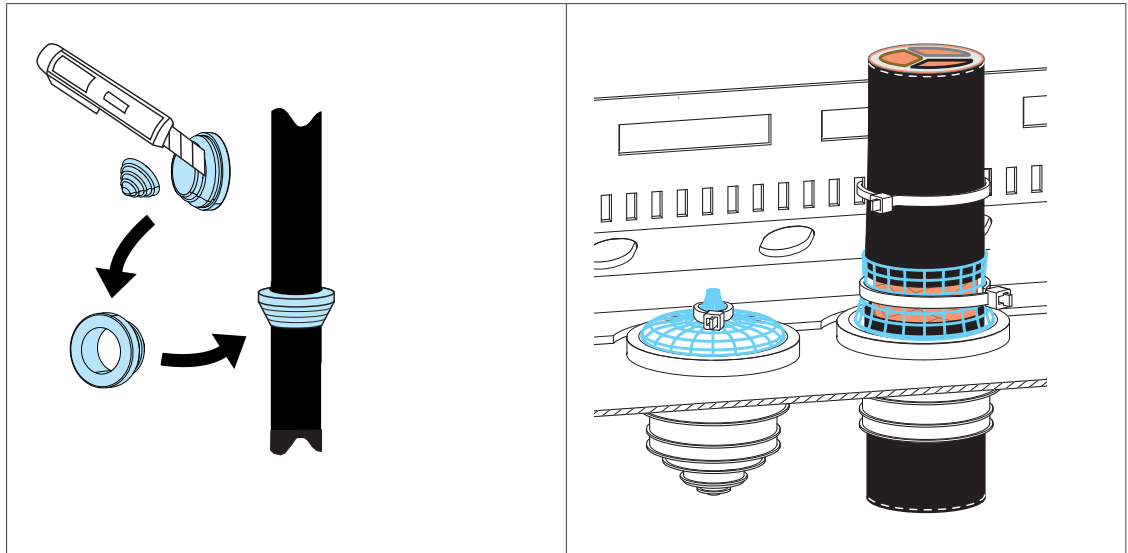
### **WARNING!**

Apply grease to stripped aluminum conductors before attaching them to non-coated aluminum cable lugs. Obey the grease manufacturer's instructions. Aluminum-aluminum contact can cause oxidation in the contact surfaces.

3. If fire insulation is used, make an opening in the mineral wool sheet according to the diameter of the cable.
4. Put the cables through the entry plate.



5. Remove rubber grommets from the entry plate for the cables to be connected. Cut adequate holes into the rubber grommets. Slide the grommets onto the cables. Slide the cables through the entry plate and attach the grommets to the holes.
6. Attach the conductive sleeves to the cable shields with cable ties. Tie up the unused conductive sleeves with cable ties. An example of bottom entry is shown below. For top entry, place the grommet upwards.



### ■ Power cable connection procedure



#### **WARNING!**

Obey the safety instructions of the drive. If you ignore them, injury or death, or damage to the equipment can occur.



#### **WARNING!**

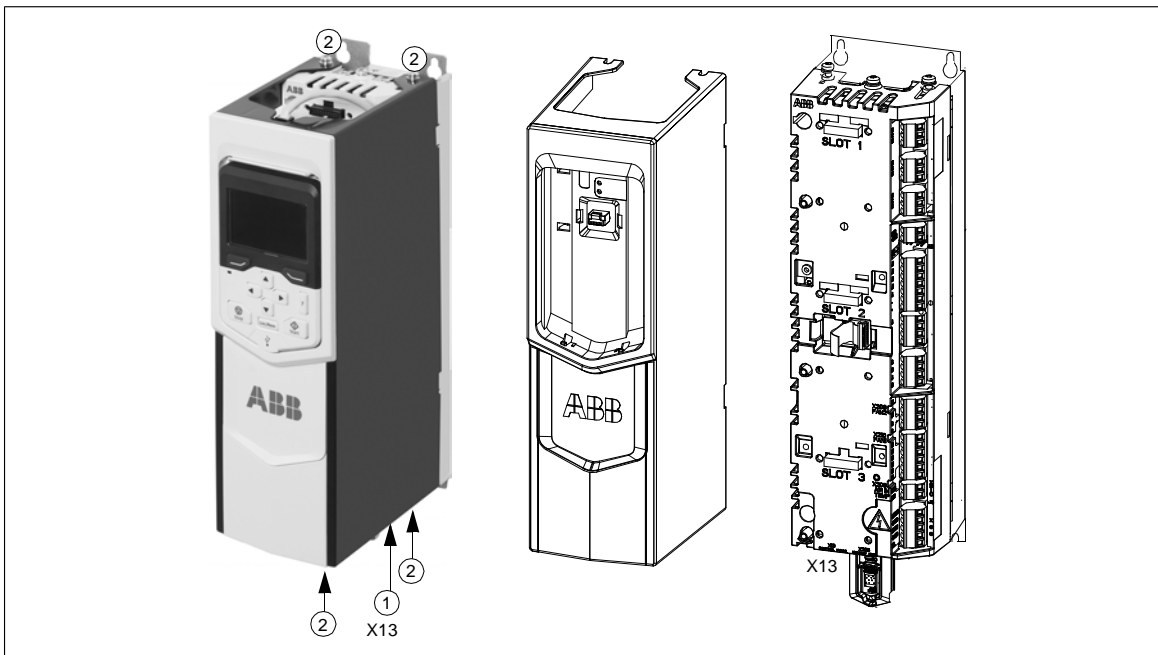
Apply grease to stripped aluminum conductors before attaching them to non-coated aluminum cable lugs. Obey the grease manufacturer's instructions. Aluminum-aluminum contact can cause oxidation in the contact surfaces.

1. Run the motor cables from the motor to the cabinet. Ground the cable shields 360° at the entry plate.
2. Twist the cable shields of the motor cables into bundles and connect them and any separate ground conductors or cables to the ground terminal of the drive module or to the cabinet ground bar.
3. Connect the phase conductors of the motor cables to terminals T1/U2, T2/V2 and T3/W2 of the drive module. For the tightening torques, see the technical data.
4. Make sure that all power is disconnected and reconnection is not possible. Use correct safe disconnect procedures according to local codes.
5. Run the input cables from the supply source to the cabinet. Ground the cable shields 360° at the entry plate.
6. Twist the cable shields of the input cables into bundles and connect them and any separate ground conductors or cables to the drive module ground terminal or to the cabinet PE busbar.

7. Connect the phase conductors of the input cables to terminals L1/U1, L2/V1 and L3/W1 of the drive module. For the tightening torques, see the technical data.
8. Brake chopper option: Run the power cables from the brake chopper to the cabinet. Ground the cable shield (if present) 360° at the entry plate. Connect the conductors to the UDC+ and UDC- terminals. For the tightening torques, see the technical data.

## Removing the control panel holder from the external control unit

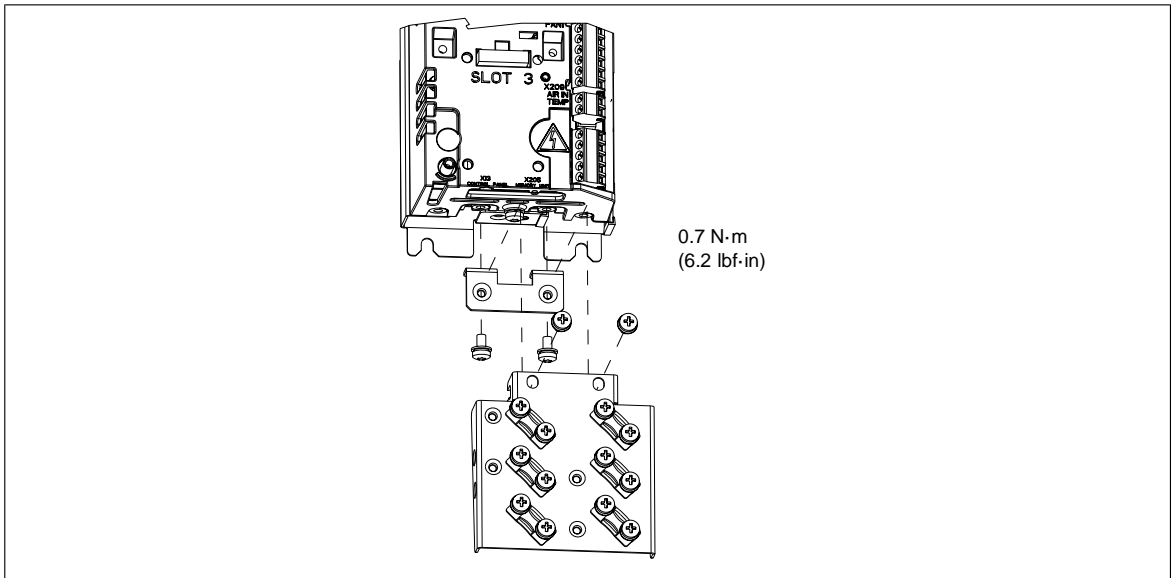
1. Disconnect the control panel cable from connector X13 on the control unit.
2. Loosen the mounting screws of the control panel holder and take the holder off.



## Attaching the control cable clamp plate

Attach the control cable clamp plate either to the top or base of the control unit with four screws as shown below.

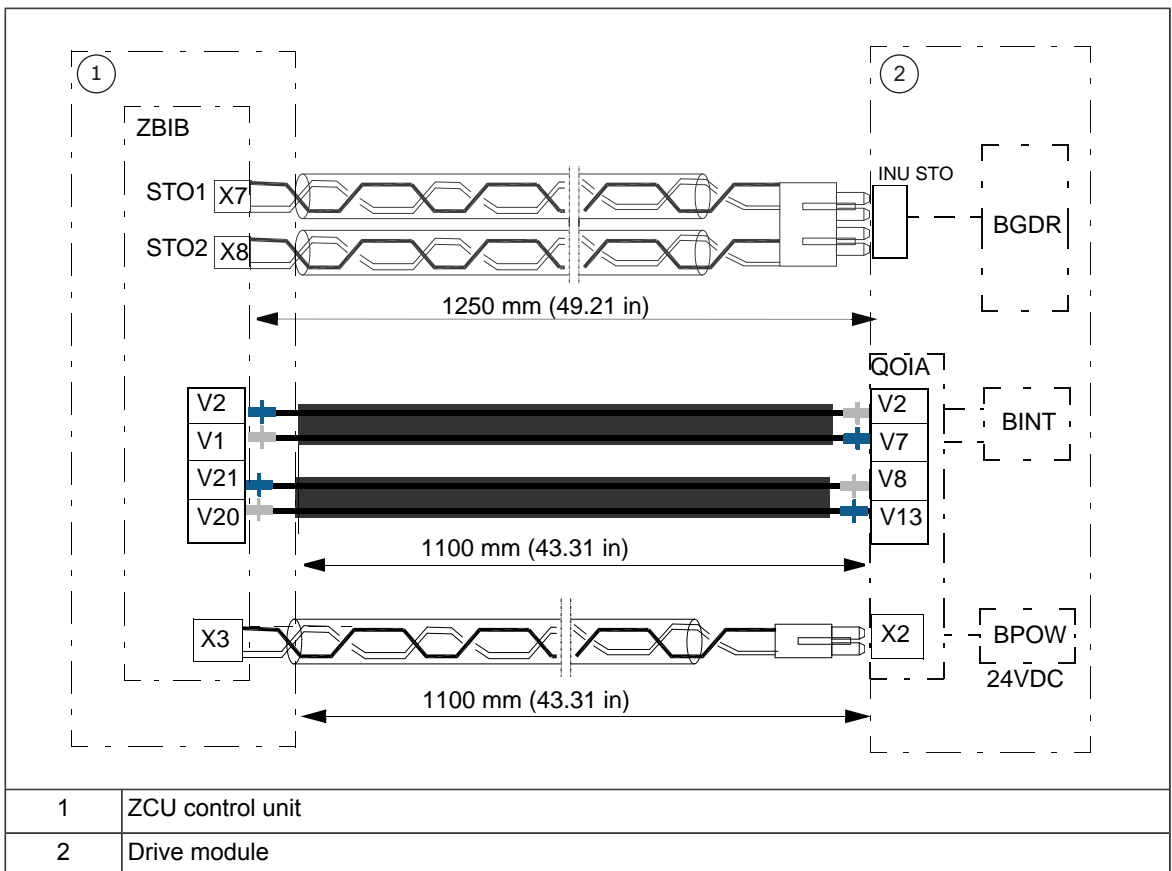
**Note:** If you install the FSO-xx safety functions module above the control unit, attach the control cable clamp plate on the base of the control unit.



## Connecting the external control unit to the drive module

### External control unit connection cables

The cables that are delivered with the drive module for connecting the drive module and control panel to the external control unit are shown below.





**WARNING!**

Handle the fiber optic cables with care. When unplugging optic cables, always grab the connector, not the cable itself. Do not touch the ends of the fibers with bare hands as the fiber is extremely sensitive to dirt.

■ **Routing the external control unit cables into the drive module**

Route the control unit connection cables to the drive module through the slot in the middle front cover at the front or left side. First, remove the plate which covers the slot. Then, install the rubber grommet (item 2) from the accessories box.

■ **Connecting control cables to the drive module**

1. Connect power supply cable to terminal X2.
2. Connect the STO cable to the INU STO connector.
3. Connect the fiber optic cables to the QOIA V8, V13, V2 and V7 connectors.

QOIA	ZBIB
INU STO	X7 (STO1)
	X8 (STO2)
X2	X3
V2	V2
V7	V1
V8	V21
V13	V22

**Note:** ISU ext. 24VDC connector is for supplying external 24 V DC to the line-side converter control unit if needed. ISU panel connector is for connecting the control panel to the line-side converter control unit if needed.

■ **Connecting control cables to the control unit**

1. Pull the fiber optic, power supply and STO cables through the hollow back frame of the control unit.
2. Connect the cables to the ZBIB terminals.

QOIA	ZBIB
INU STO	X7 (STO1)
	X8 (STO2)
X2	X3
V2	V2
V7	V1
V8	V21
V13	V22

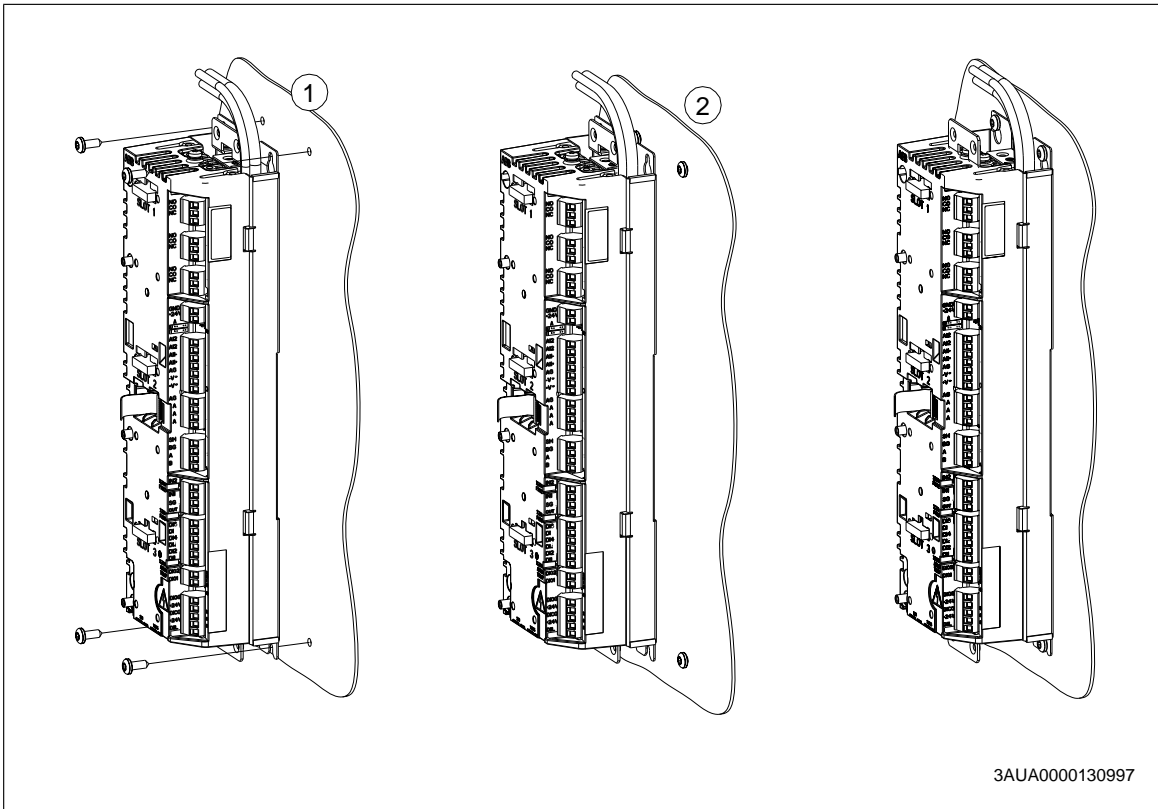
## Attaching the external control unit

The drive control unit can be attached on a mounting plate or onto a DIN rail.



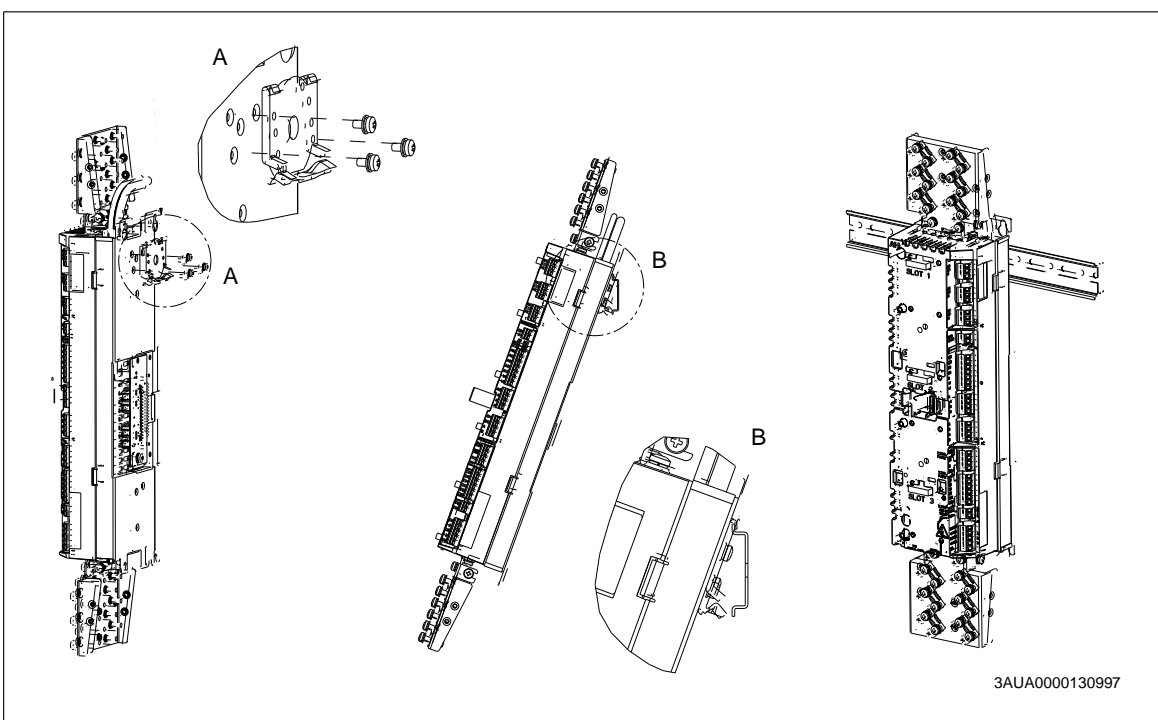
■ **Attaching the external control unit to a mounting plate or wall**

1. Attach the mounting screws in the wall.
2. Lift the control unit onto the screws and tighten the screws.



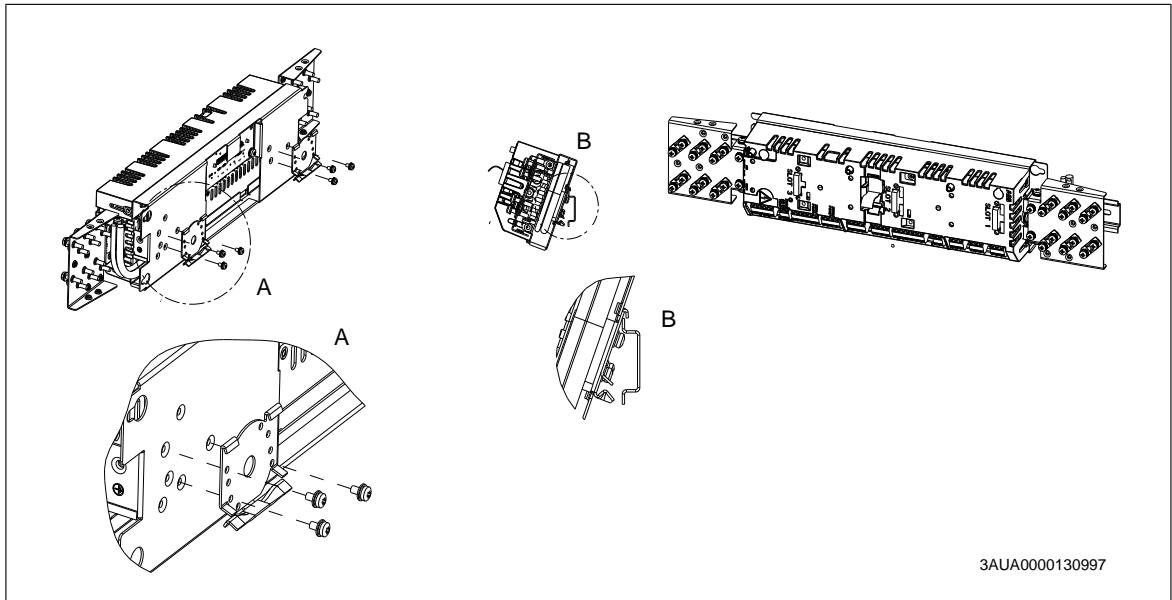
■ **Attaching the external control unit vertically on a DIN rail**

1. Attach the latch (A) to the back of the control unit with three screws.
2. Click the control unit to the rail as shown below (B).



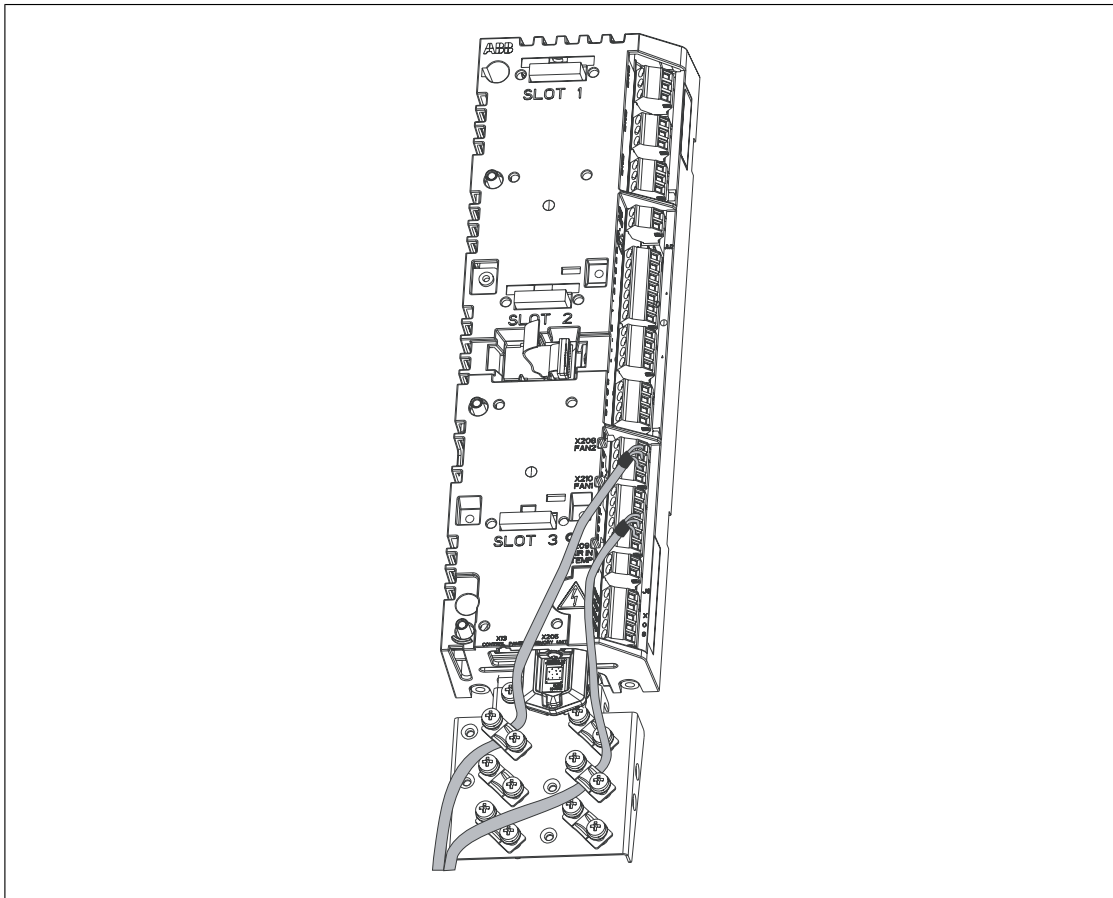
■ **Attaching the external control unit horizontally on a DIN rail**

1. Attach the latches (A) to the back of the control unit with three screws.
2. Click the control unit to the rail as shown below (B).



## Connecting the control cables to the terminals of the external control unit

1. Route the cables to the control unit as shown below.



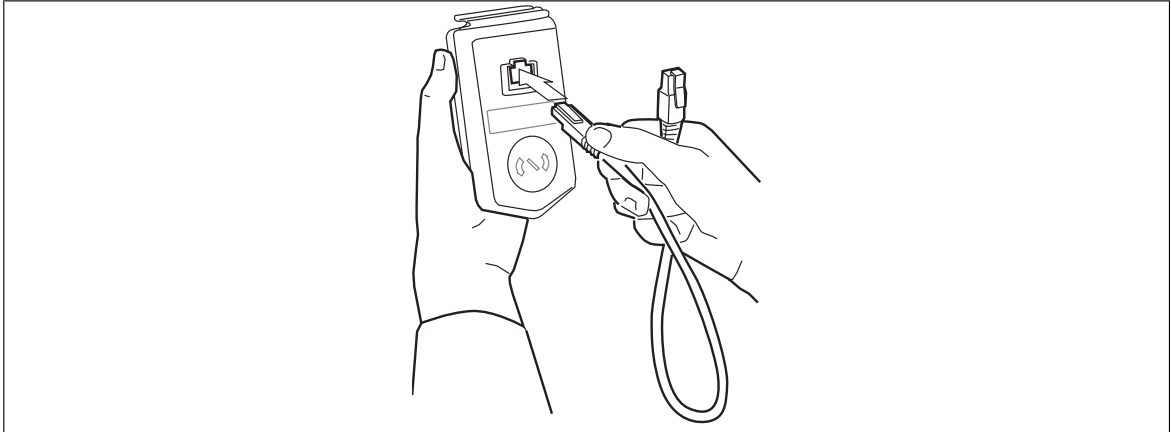
2. Ground the shields of the control cables at the clamp plate. Use torque 1.5 N·m (13 lbf·in). The shields should be continuous as close to the terminals of the control unit as possible. Only remove the outer jacket of the cable at the cable clamp so that the clamp presses on the bare shield. The shield (especially in case of multiple shields) can also be terminated with a lug and fastened with a screw at the clamp plate. Leave the other end of the shield unconnected or ground it indirectly via a few nanofarads high-frequency capacitor eg, 3.3 nF / 630 V. The shield can also be grounded directly at both ends if they are in the same ground line with no significant voltage drop between the end points. Tighten the screws to secure the connection.
3. Connect the conductors to the appropriate detachable terminals of the control unit. See the default I/O diagram. Use shrink tubing or insulating tape to contain any strain strands.  
**Note:** Keep any signal wire pairs twisted as close to the terminals as possible. Twisting the wire with its return wire reduces disturbances caused by inductive coupling. Keep the shields continuous as close to the terminals of the control unit as possible.

## Connecting a control panel

With control panel door mounting platform, connect the control panel as follows:

1. Connect an Ethernet cable to the RJ-45 connector of the control panel.
2. Connect the other end of the cable to the X13 connector of the control unit.





**Note:** When a PC is connected to the control panel, the control panel keypad is disabled. In this case, the control panel acts as a USB-RS485 adapter.

## Panel bus (Control of several units from one control panel)

One control panel (or PC) can be used to control several drives (or inverter units, supply units etc.) by constructing a panel bus. This is done by daisy-chaining the panel connections of the drives. Some drives have the necessary (twin) panel connectors in the control panel holder; those that do not require the installation of an FDPI-02 module (available separately). For further information, see the hardware description and *FDPI-02 diagnostics and panel interface user's manual* ([3AUA0000113618](#) [English]).

The maximum allowed length of the cable chain is 100 m (328 ft).

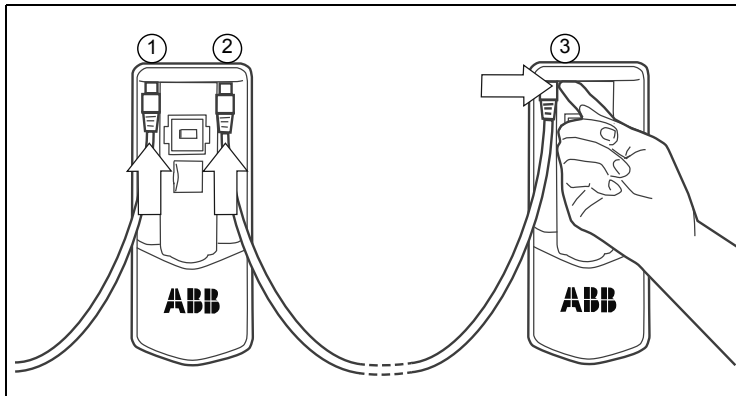
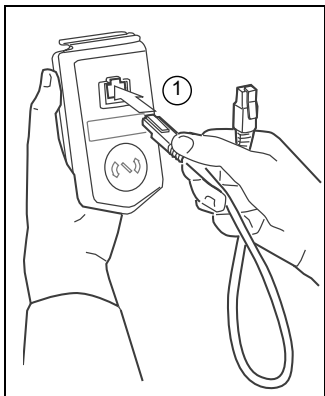
1. Connect the panel to one drive using an Ethernet (for example Cat 5e) cable.
  - Use Menu - Settings - Edit texts - Drive to give a descriptive name to the drive
  - Use parameter 49.01\* to assign the drive with a unique node ID number
  - Set other parameters in group 49\* if necessary
  - Use parameter 49.06\* to validate any changes.

\*The parameter group is 149 with supply (line-side), brake or DC/DC converter units. Repeat the above for each drive.
2. With the panel connected to one unit, link the units using Ethernet cables.
3. Switch on the bus termination on the drive that is farthest from the control panel in the chain.
  - With drives that have the panel mounted on the front cover, move the terminating switch into the outer position.
  - With an FDPI-02 module, move termination switch S2 into the TERMINATED position.

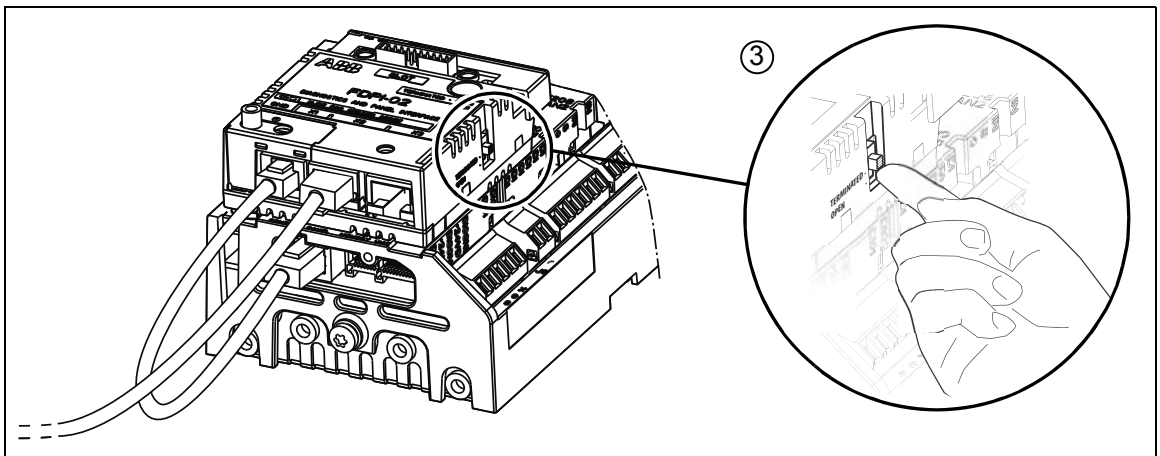
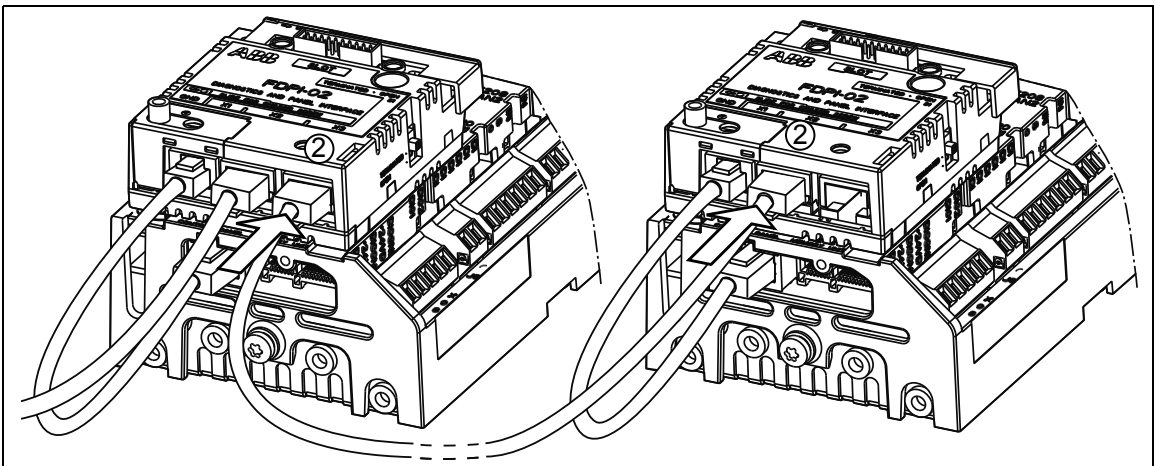
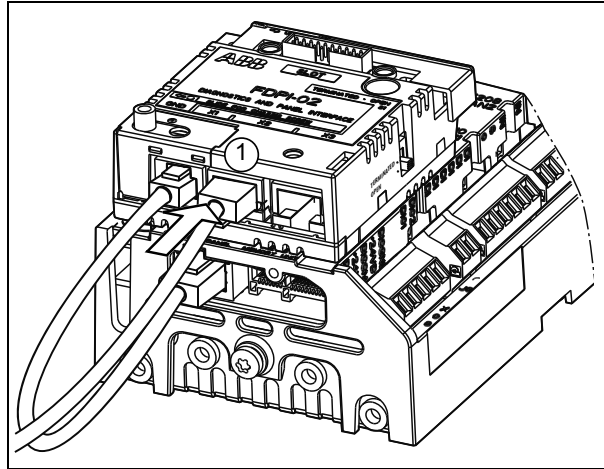
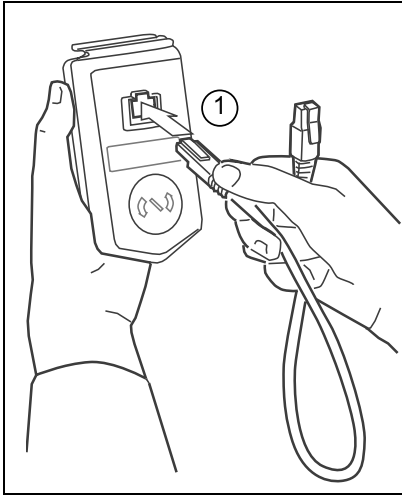
Make sure that bus termination is off on all other drives.
4. On the control panel, switch on the panel bus functionality (Options - Select drive - Panel bus). The drive to be controlled can now be selected from the list under Options - Select drive.

If a PC is connected to the control panel, the drives on the panel bus are automatically displayed in the Drive composer tool.

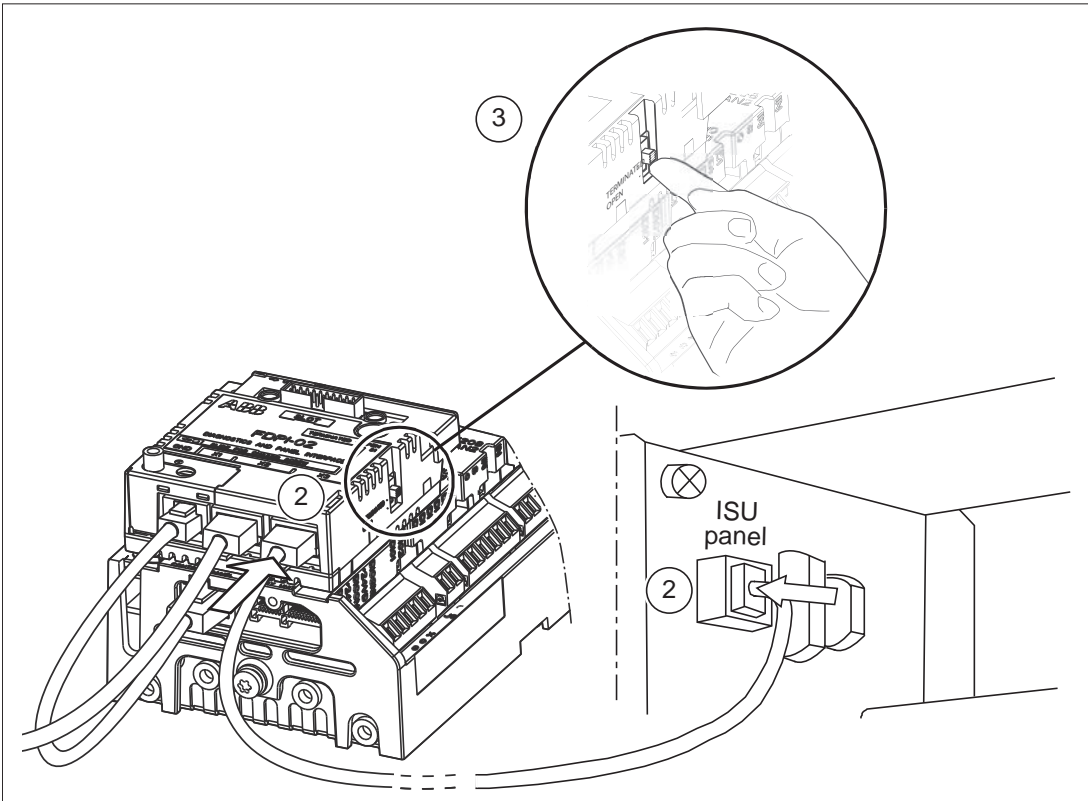
With twin connectors in the control panel holder:



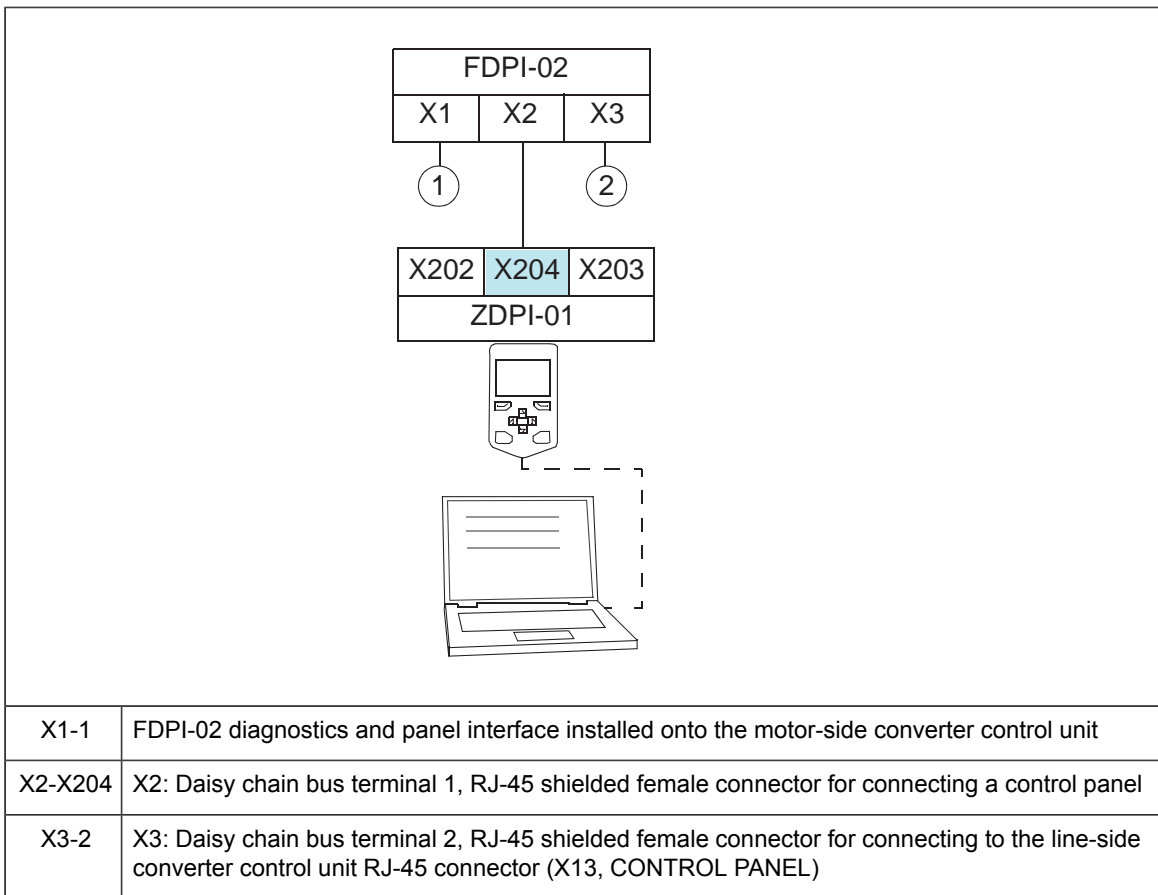
With FDPI-02 modules:



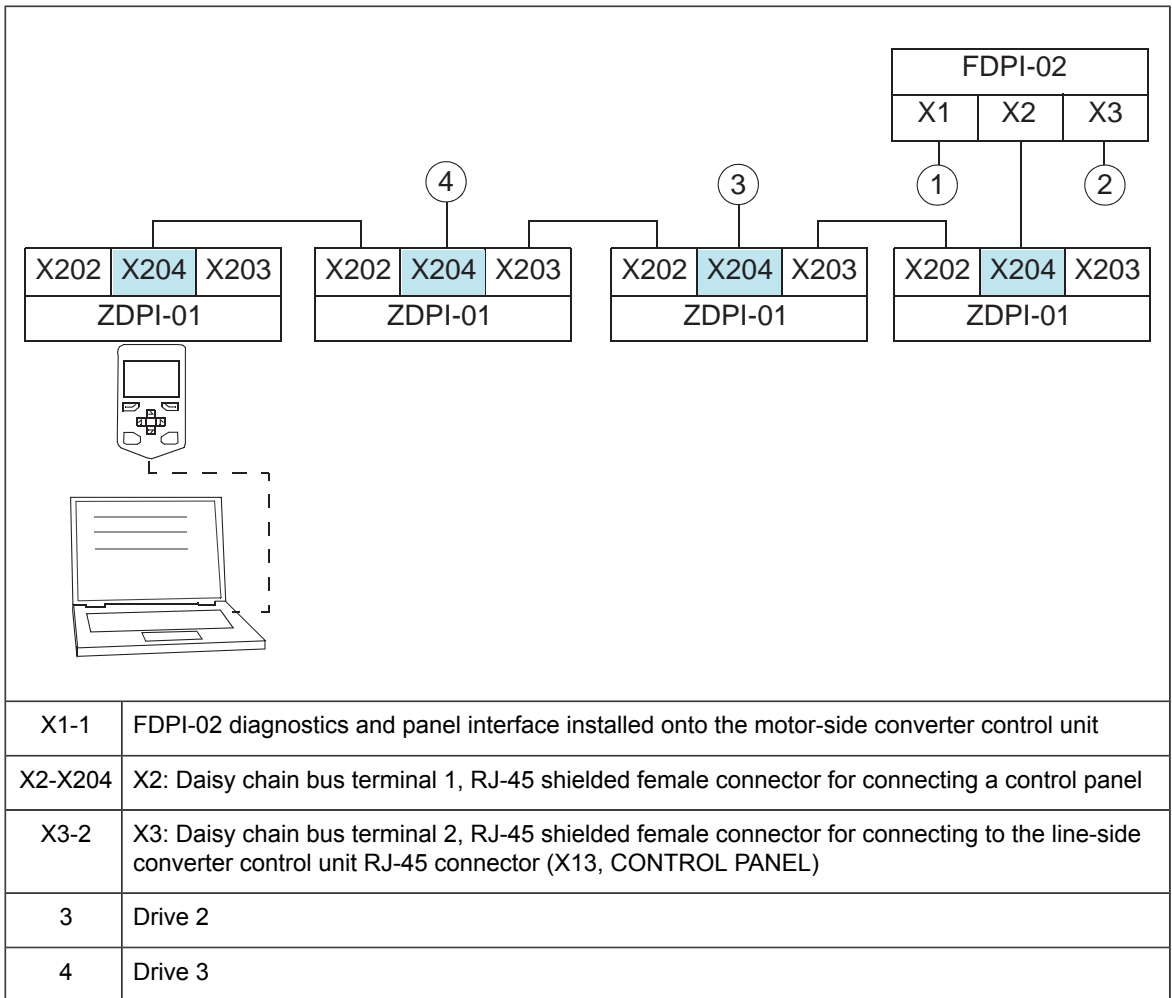
With FDPI-02 module ACS880-14 and ACS880-34:



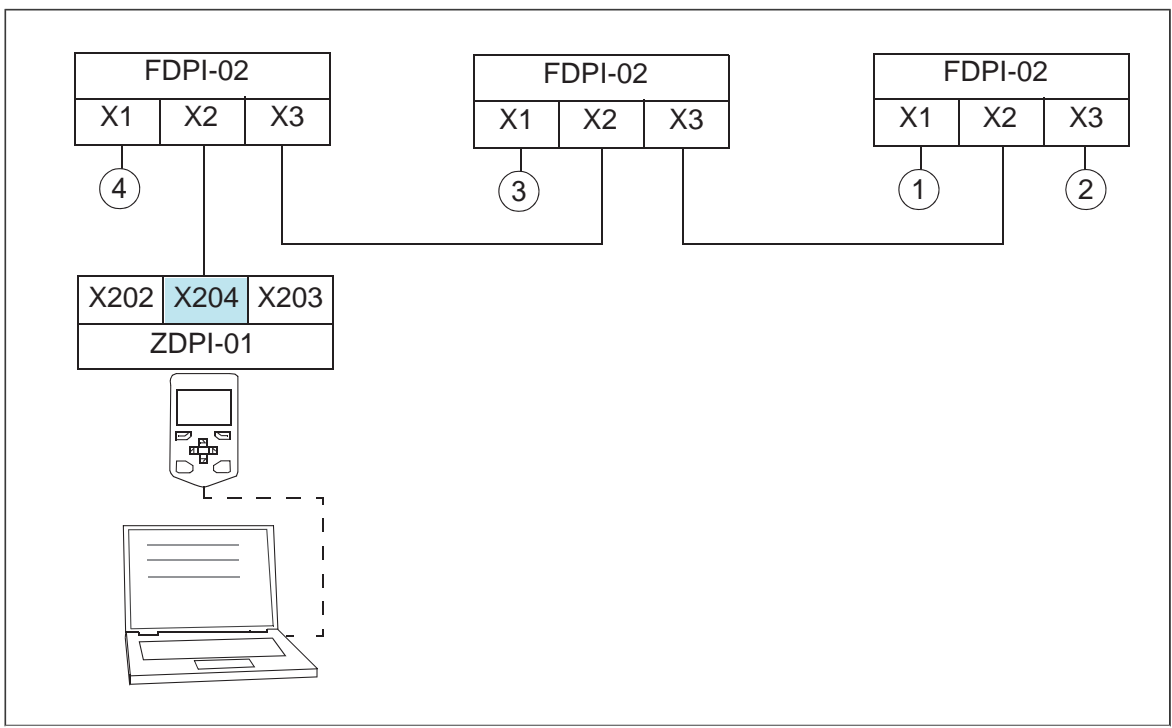
■ Panel bus wiring with FDPI-02 – single drive



■ Panel bus wiring with FDPI-02 and ZDPI-01 – several drives



■ Panel bus wiring with FDPI-02 – several drives



X1-1	FDPI-02 diagnostics and panel interface installed onto the motor-side converter control unit
X2-X204	X2: Daisy chain bus terminal 1, RJ-45 shielded female connector for connecting a control panel
X3-2	X3: Daisy chain bus terminal 2, RJ-45 shielded female connector for connecting to the line-side converter control unit RJ-45 connector (X13, CONTROL PANEL)
3	Drive 2
4	Drive 3

## Connecting a PC

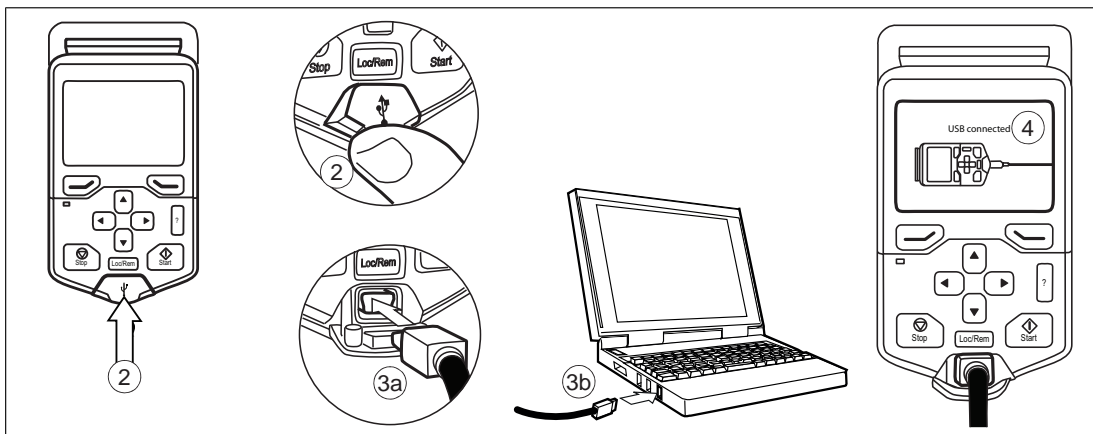


### WARNING!

Do not connect the PC directly to the control panel connector of the control unit as this can cause damage.

A PC (with eg, the Drive composer PC tool) can be connected as follows:

1. Connect an ACx-AP-x control panel to the unit either
  - by inserting the control panel into the panel holder or platform, or
  - by using an Ethernet (eg, Cat 5e) networking cable.
2. Remove the USB connector cover on the front of the control panel.
3. Connect an USB cable (Type A to Type Mini-B) between the USB connector on the control panel (3a) and a free USB port on the PC (3b).
4. The panel will display an indication whenever the connection is active.
5. See the documentation of the PC tool for setup instructions.



## Installing option modules

### ■ Installing the FSO-xx safety functions module

Install the FSO safety functions module in Slot 2 of the control unit as described below.

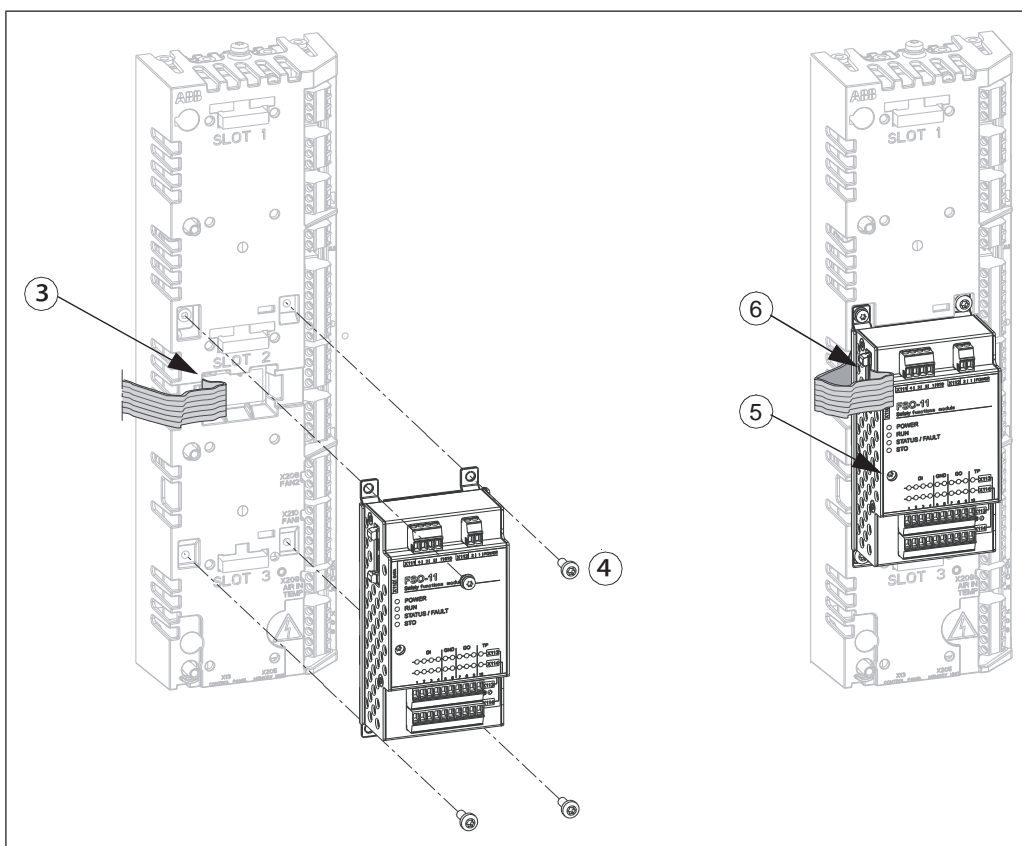


### WARNING!

Obey the safety instructions of the drive. If you ignore them, injury or death, or damage to the equipment can occur.

1. Stop the drive and do the steps in section [Electrical safety precautions \(page 18\)](#) before you start the work.
2. If the bottom plate of the FSO-xx module looks different from that in the drawing below, remove the bottom plate and attach the alternative bottom plate from the FSO package to module.
3. Connect the FSO-xx data cable to connector X12 on the control unit.
4. Attach the FSO-xx module to Slot 2 with four screws.
5. Tighten the FSO module electronics grounding screw to 0.8 N·m. Note: The screw tightens the connections and grounds the module. It is essential for fulfilling the EMC requirements and for proper operation of the module.
6. Connect the FSO-xx data cable to FSO-xx connector X110.
7. Connect the Safe torque off four-wire cable to connector X111 on the module and to connector XSTO on the drive module control unit.
8. Connect the external +24 V power supply cable to connector X112.
9. Connect the other wires as shown in *FSO-12 safety functions module user's manual* ([3AXD50000015612](#) [English]) or *FSO-21 safety functions module user's manual* ([3AXD50000015614](#) [English]).

#### Installation on the external control unit



#### ■ Installing I/O extension, fieldbus adapter and pulse encoder interface modules

See section *Overview of power and control connections* for the available slots for each module.

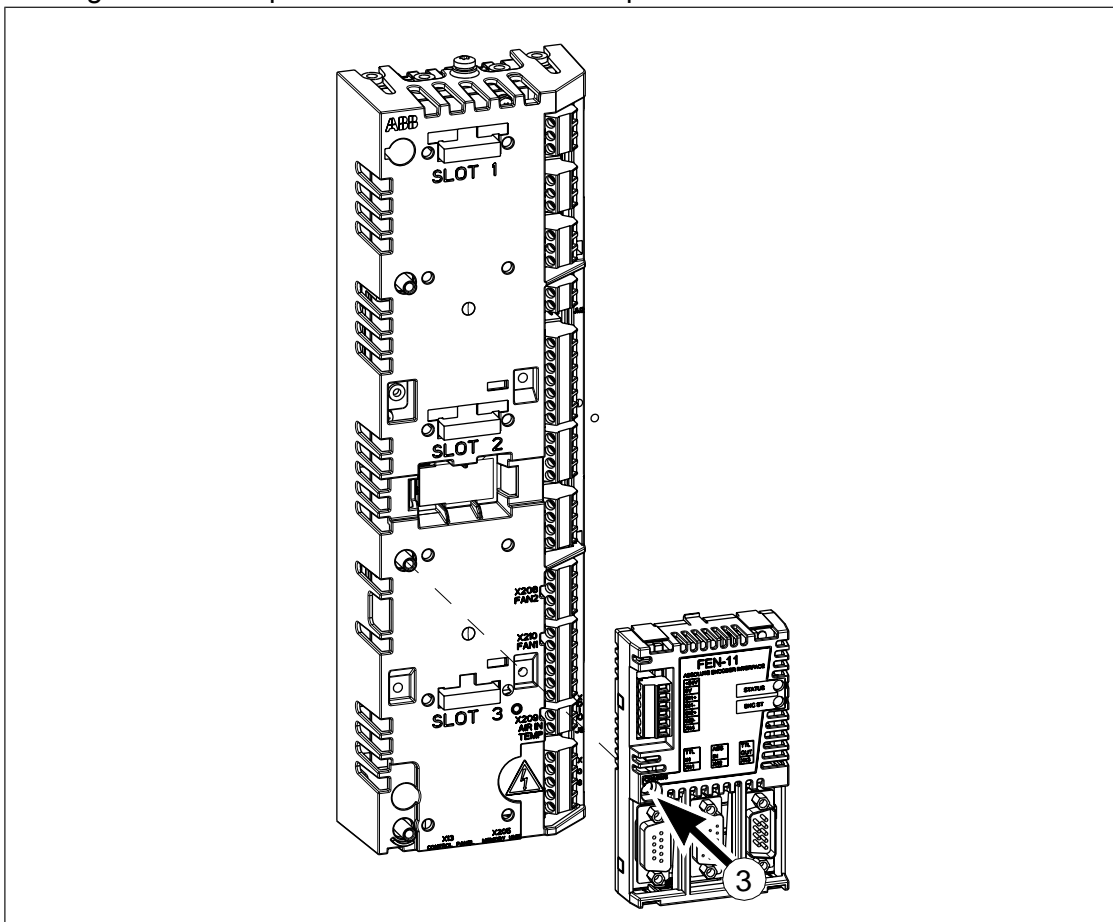


**WARNING!**

Obey the safety instructions of the drive. If you ignore them, injury or death, or damage to the equipment can occur.

1. Stop the drive and do the steps in section *Electrical safety precautions (page 18)* before you start work.
2. Insert the module carefully into its position on the control unit.
3. Tighten the grounding screw torque of 0.8 N·m.

**Note:** The screw tightens the connections and grounds the module. It is essential for fulfilling the EMC requirements and for correct operation of the module.



■ **Wiring the option modules**

See the appropriate option module manual for specific installation and wiring instructions.





## External control unit

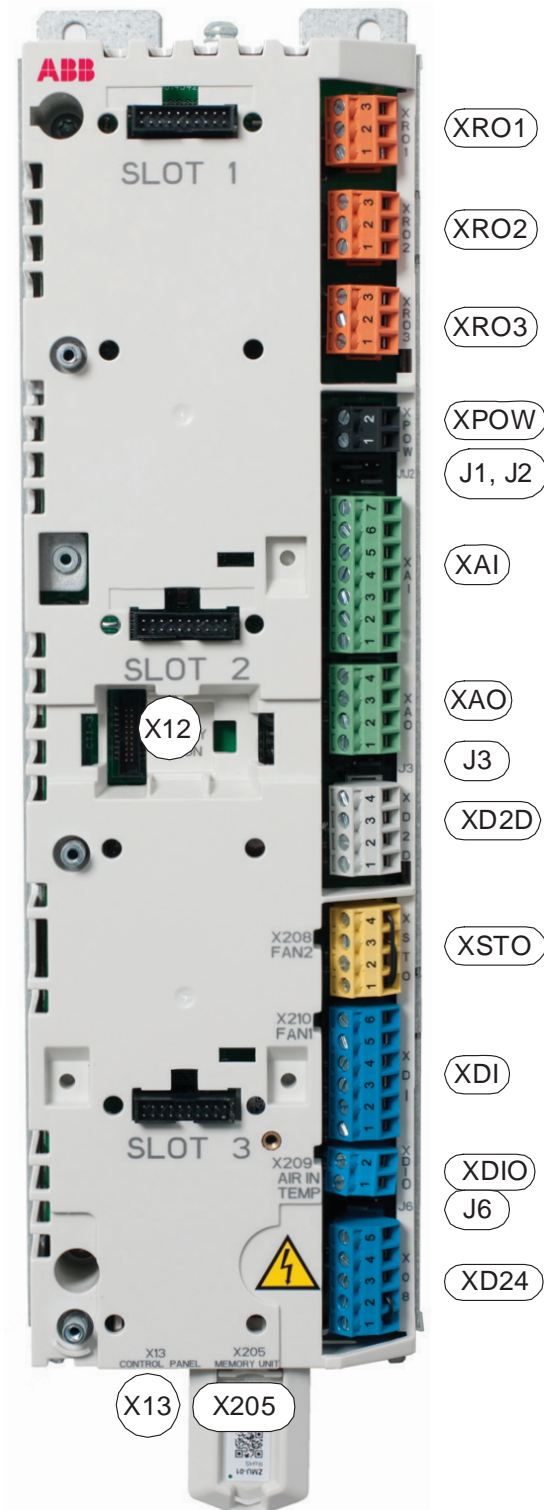
---

### Contents of this chapter

This chapter


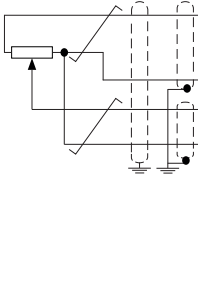
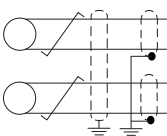
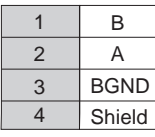
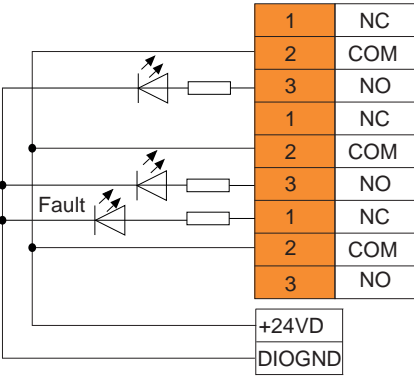
- describes the connections of the control unit(s) used in the drive,
- contains the specifications of the inputs and outputs of the control unit(s).

## ZCU-14 layout



	Description
XPOW	External power input
XAI	Analog inputs
XAO	Analog outputs
XD2D	Drive-to-drive link
XRO1	Relay output RO1
XRO2	Relay output RO2
XRO3	Relay output RO3
XD24	Digital input interlock (DIIL) and +24 V output
XDIO	Digital input/outputs
XDI	Digital inputs
XSTO	Safe torque off connection (inverter unit only).  <b>Note:</b> This connection only acts as a true Safe torque off input when the ZCU is controlling an inverter unit. When the ZCU is controlling a supply unit, de-energizing the inputs will stop the unit but will not constitute a true safety function.
X12	Connection for FSO-xx safety functions module (inverter unit only).
X13	Control panel connection
X202	Option slot 1
X203	Option slot 2
X204	Option slot 3
X205	Memory unit connection (memory unit inserted in the drawing)
J1, J2	Voltage/Current selection jumpers (J1, J2) for analog inputs
J3	Drive-to-drive link termination switch (J3)
J6	Common digital input ground selection jumper (J6).

## Default I/O diagram of the drive control unit (ZCU-1x)

Connection	Term	Description	
<b>XPOW</b> External power input			
	+24VI	24 V DC, 2 A min. (without optional modules)	
	GND		
<b>J1, J2, XAI</b> Reference voltage and analog inputs			
	+VREF	10 V DC, $R_L$ 1...10 kohm	
	-VREF	-10 V DC, $R_L$ 1...10 kohm	
	AGND	AGND	Ground
	AI1+	AI1+	<b>Speed reference</b>
	AI1-	AI1-	0(2)...10 V, $R_{in} > 200$ kohm <sup>1)</sup> selected by switch AI1.
	AI2+	AI2+	By default not in use.
	AI2-	AI2-	0(4)...20 mA, $R_{in} = 100$ ohm <sup>2)</sup>
	AI1: I	AI1: I	AI1/AI2 current/voltage selection
	AI1: U	AI1: U	
	<b>XAO</b> Analog outputs		
	AO1	<b>Motor speed rpm</b>	
	AGND	0...20 mA, $R_L < 500$ ohm	
	AO2	<b>Motor current</b>	
	AGND	0...20 mA, $R_L < 500$ ohm	
<b>XD2D</b> Drive-to-drive link			
	B	Master/follower, drive-to-drive or embedded fieldbus connection <sup>3)</sup>	
	A		
	BGND		
	Shield		
		<b>J3</b> Drive-to-drive link termination <sup>3)</sup>	
<b>XRO1, XRO2, XRO3</b> Relay outputs			
	NC	<b>Ready run</b>	
	COM	250 V AC / 30 V DC	
	NO	2 A	
	NC	<b>Running</b>	
	COM	250 V AC / 30 V DC	
	NO	2 A	
	NC	<b>Fault (-1)</b>	
	COM	250 V AC / 30 V DC	
	NO	2 A	

## 124 External control unit

Connection	Term	Description
<b>XD24</b> Auxiliary voltage output, digital interlock <sup>4)</sup>		
	DIIL	Run enable <sup>4)</sup>
	+24VD	+24 V DC 200 mA
	DICOM	Digital input ground
	+24VD	+24 V DC 200 mA <sup>5)</sup>
	DIOGND	Digital input/output ground
<b>XDIO</b> Digital input/outputs		
	DIO1	Output: Ready run
	DIO2	Output: Running
	<b>J6</b>	Ground selection <sup>6)</sup>
<b>XDI</b> Digital inputs		
	DI1	Stop (0) / Start (1)
	DI2	Forward (0) / Reverse (1)
	DI3	Reset
	DI4	Acc/Dec time select <sup>7)</sup>
	DI5	Constant speed 1 (1 = On) <sup>8)</sup>
	DI6	By default, not in use.
	Safe torque off circuits must be closed for the drive to start. <sup>9)</sup>	
<b>X12</b>	Safety options connection	
<b>X13</b>	Control panel connection	
<b>X205</b>	Memory unit connection	

<sup>1)</sup> Current [0(4)...20 mA,  $R_{in} = 100 \text{ ohm}$ ] or voltage [0(2)...10 V,  $R_{in} > 200 \text{ kohm}$ ] input selected by switch AI1. Change of setting requires reboot of control unit.

<sup>2)</sup> Current [0(4)...20 mA,  $R_{in} = 100 \text{ ohm}$ ] or voltage [0(2)...10 V,  $R_{in} > 200 \text{ kohm}$ ] input selected by switch AI2. Change of setting requires reboot of control unit.

<sup>3)</sup> See section [The XD2D connector \(page 126\)](#)

<sup>4)</sup> See section [DIIL input \(page 126\)](#).

Total load capacity of these outputs is 4.8 W (200 mA at 24 V) minus the power taken by DIO1 and DIO2.

<sup>6)</sup> Determines whether DICOM is separated from DIOGND (ie. common reference for digital inputs floats; in practice, selects whether the digital inputs are used in current sinking or sourcing mode). See also [ZCU-1x ground isolation diagram \(page 130\)](#). DICOM=DIOGND ON: DICOM connected to DIOGND. OFF: DICOM and DIOGND separate.

<sup>7)</sup> 0 = Acceleration/deceleration ramps defined by parameters 23.12/23.13 in use. 1 = Acceleration/deceleration ramps defined by parameters 23.14/23.15 in use.

<sup>8)</sup> Constant speed 1 is defined by parameter 22.26.

<sup>9)</sup> See chapter [The Safe torque off function \(page 215\)](#).

The wire size accepted by all screw terminals (for both stranded and solid wire) is 0.5 ... 2.5 mm<sup>2</sup> (24...12 AWG). The torque is 0.5 N·m (5 lbf·in).

## Additional information on the connections

### ■ External power supply for the control unit (XPOW)

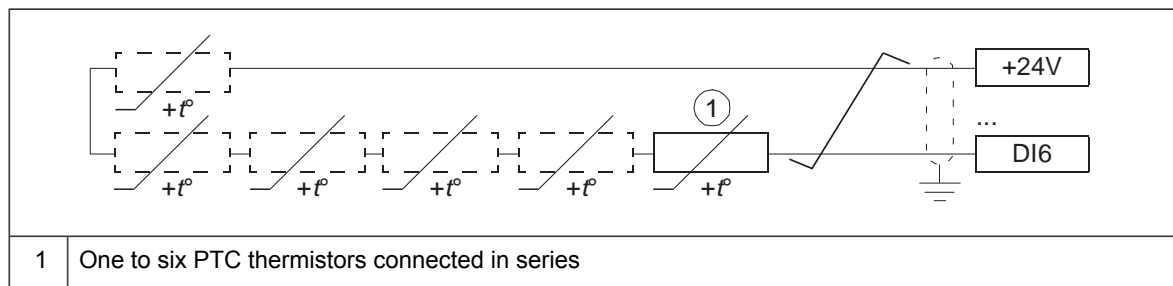
The control unit is powered from a 24 V DC, 2 A supply through terminal block XPOW.

Using an external supply is recommended if

- the control unit needs to be kept operational during input power breaks, for example, because of continuous fieldbus communication
- immediate restart is needed after a power break (that is, no control unit power-up delay is allowed).

### ■ DI6 as a PTC sensor input

PTC sensors can be connected to this input for motor temperature measurement as follows. The sensor can alternatively be connected to FEN-xx encoder interface module. At the sensor end of the cable, leave the shields unconnected or ground them indirectly via a high-frequency capacitor with a few nanofarads, for example 3.3 nF / 630 V. The shield can also be grounded directly at both ends if they are in the same ground line with no significant voltage drop between the end points. See the firmware manual of the inverter unit for parameter settings.

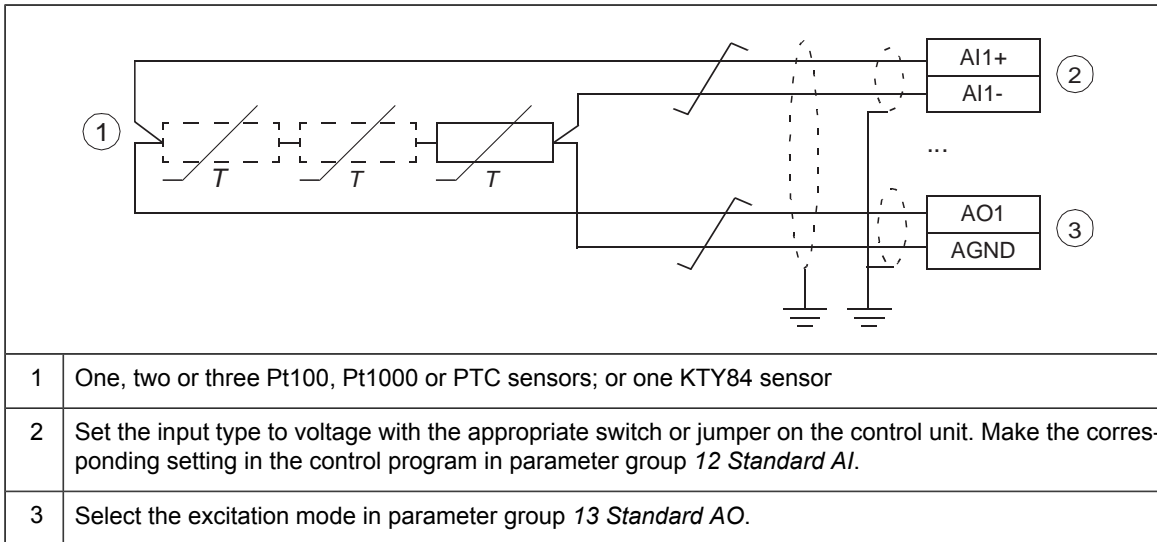


#### WARNING!

As the inputs pictured above are not insulated according to IEC 60664, the connection of the motor temperature sensor requires double or reinforced insulation between motor live parts and the sensor. If the assembly does not fulfill the requirement, protect the I/O board terminals against contact and do not connect them to other equipment, or isolate the temperature sensor from the I/O terminals. Make sure that the voltage does not exceed the maximum allowed voltage over the PTC sensor.

### ■ AI1 or AI2 as a Pt100, Pt1000, PTC or KTY84 sensor input

Sensors for motor temperature measurement can be connected between an analog input and output, an example connection is shown below. (Alternatively, you can connect the KTY to an FIO-11 or FAIO-01 analog I/O extension module or FEN-xx encoder interface module.) At the sensor end of the cable, leave the shields unconnected or ground them indirectly via a high-frequency capacitor with a few nanofarads, for example 3.3 nF / 630 V. The shield can also be grounded directly at both ends if they are in the same ground line with no significant voltage drop between the end points.

**WARNING!**

As the inputs pictured above are not insulated according to IEC/EN 60664, the connection of the motor temperature sensor requires double or reinforced insulation between motor live parts and the sensor. If the assembly does not fulfill the requirement, protect the I/O board terminals against contact and do not connect them to other equipment, or isolate the temperature sensor from the I/O terminals. Make sure that the current does not exceed the maximum allowed current through the Pt100/Pt1000 sensor.

### ■ DIIL input

The DIIL input is used for the connection of safety circuits. The input is parametrized to stop the unit when the input signal is lost.

**Note:** This input is NOT SIL or PL certified.

### ■ The XD2D connector

The XD2D connector provides an RS-485 connection that can be used for

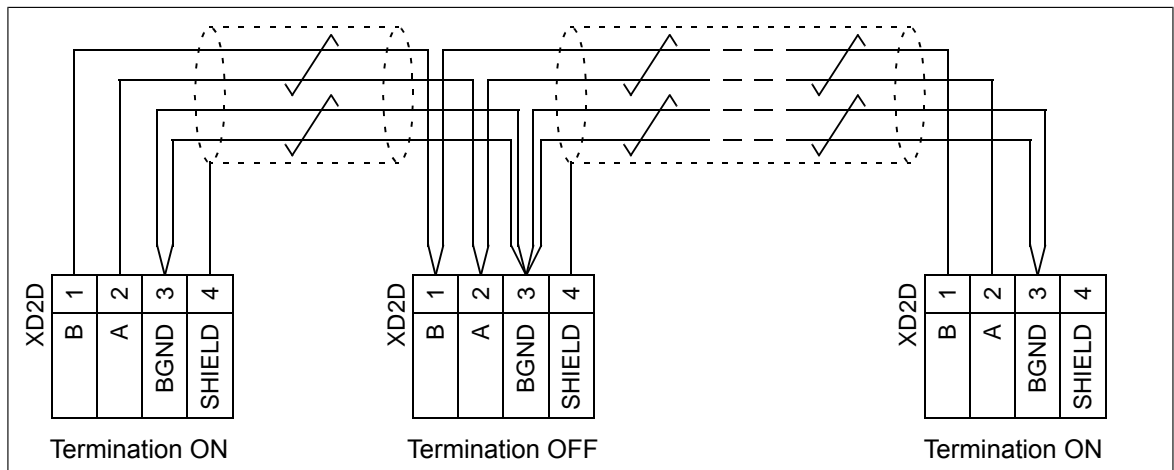
- basic master/follower communication with one master drive and multiple followers,
- fieldbus control through the embedded fieldbus interface (EFB), or
- drive-to-drive (D2D) communication implemented by application programming.

See the firmware manual of the drive for the related parameter settings.

Enable bus termination on the units at the ends of the drive-to-drive link. Disable bus termination on the intermediate units.

Use shielded twisted-pair cable with a twisted pair for data and a wire or another pair for signal ground (nominal impedance 100 to 165 ohm, for example Belden 9842) for the wiring. For best immunity, ABB recommends high quality cable. Keep the cable as short as possible. Avoid unnecessary loops and parallel runs near power cables such as motor cables.

The following diagram shows the wiring between control units.

**ZCU-14**

- **Safe torque off (XSTO)**

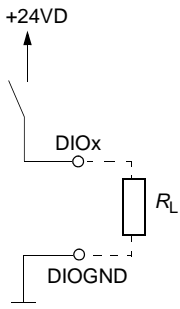
See chapter [The Safe torque off function \(page 215\)](#).

**Note:** The XSTO input only acts as a true Safe torque off input on the inverter control unit. De-energizing the IN1 and/or IN2 terminals of other units (supply, DC/DC converter, or brake unit) will stop the unit but not constitute a true safety function.

- **FSO-xx safety functions module connection (X12)**

See the user manual of the FSO-xx module.

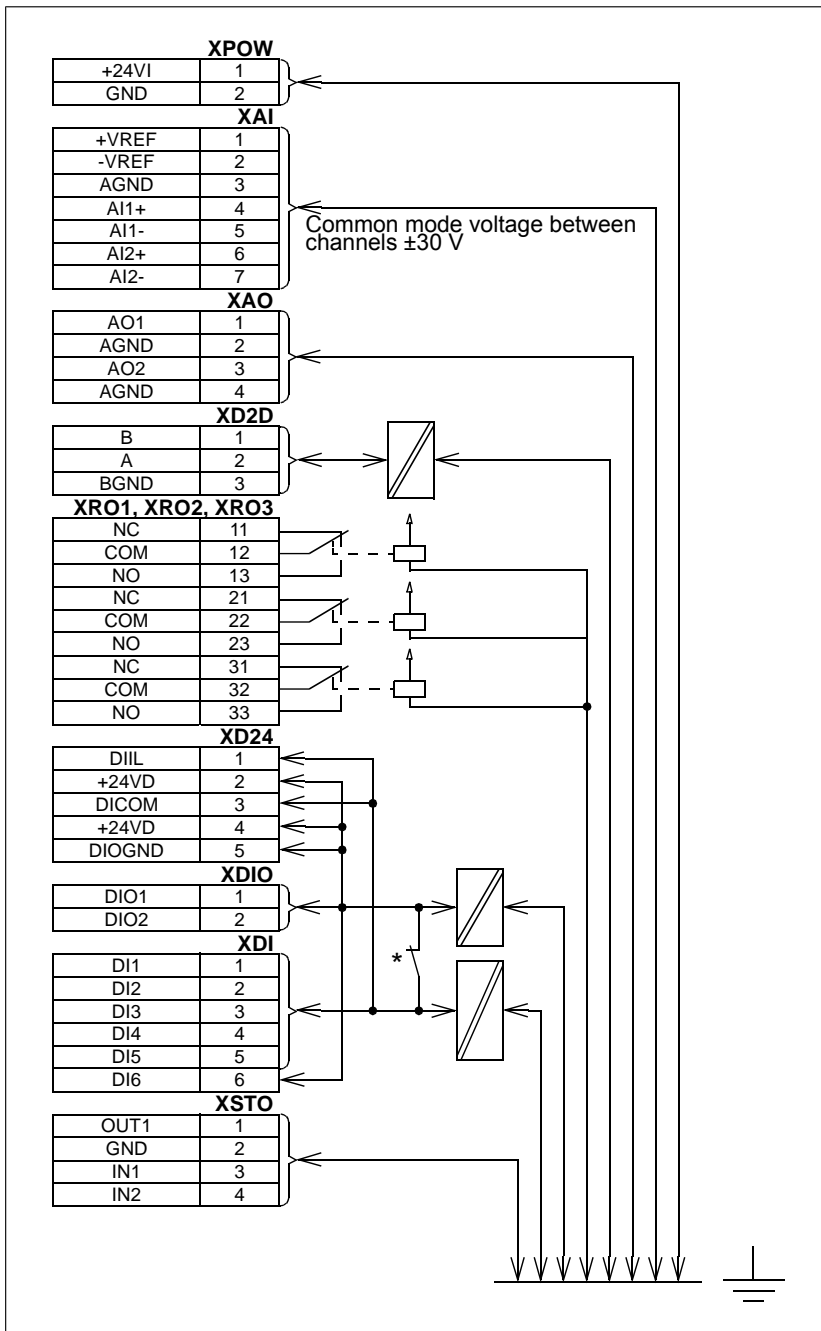
## Connector data

Power supply (XPOW)	Connector pitch 5 mm, wire size 2.5 mm <sup>2</sup> 24 V (±10%) DC, 2 A External power input.
Relay outputs RO1...RO3 (XRO1...XRO3)	Connector pitch 5 mm, wire size 2.5 mm <sup>2</sup> 250 V AC / 30 V DC, 2 A Protected by varistors
+24 V output (XD24:2 and XD24:4)	Connector pitch 5 mm, wire size 2.5 mm <sup>2</sup> Total load capacity of these outputs is 4.8 W (200 mA / 24 V) minus the power taken by DIO1 and DIO2.
Digital inputs DI1...DI6 (XDI:1...XDI:6)	Connector pitch 5 mm, wire size 2.5 mm <sup>2</sup> 24 V logic levels: "0" < 5 V, "1" > 15 V $R_{in}$ : 2.0 kohm Input type: NPN/PNP (DI1...DI5), PNP (DI6) Hardware filtering: 0.04 ms, digital filtering up to 8 ms DI6 (XDI:6) can alternatively be used as an input for a PTC sensor. "0" > 4 kohm, "1" < 1.5 kohm. $I_{max}$ : 15 mA (DI1...DI5), 5 mA (DI6)
Start interlock input DIIL (XD24:1)	Connector pitch 5 mm, wire size 2.5 mm <sup>2</sup> 24 V logic levels: "0" < 5 V, "1" > 15 V $R_{in}$ : 2.0 kohm Input type: NPN/PNP Hardware filtering: 0.04 ms, digital filtering up to 8 ms
Digital inputs/outputs DIO1 and DIO2 (XDIO:1 and XDIO:2) Input/output mode selection by parameters. DIO1 can be configured as a frequency input (0...16 kHz with hardware filtering of 4 microseconds) for 24 V level square wave signal (sinusoidal or other wave form cannot be used). DIO2 can be configured as a 24 V level square wave frequency output. See the firmware manual, parameter group 111/11.	Connector pitch 5 mm, wire size 2.5 mm <sup>2</sup> <u>As inputs</u> : 24 V logic levels: "0" < 5 V, "1" > 15 V. $R_{in}$ : 2.0 kohm. Filtering: 1 ms. <u>As outputs</u> : Total output current from +24VD is limited to 200 mA 
Reference voltage for analog inputs +VREF and -VREF (XAI:1 and XAI:2)	Connector pitch 5 mm, wire size 2.5 mm <sup>2</sup> 10 V ±1% and -10 V ±1%, $R_{load}$ 1...10 kohm Maximum output current: 10 mA
Analog inputs AI1 and AI2 (XAI:4 ... XAI:7). Current/voltage input mode selection by jumpers	Connector pitch 5 mm, wire size 2.5 mm <sup>2</sup> Current input: -20...20 mA, $R_{in}$ = 100 ohm Voltage input: -10...10 V, $R_{in}$ > 200 kohm Differential inputs, common mode range ±30 V Sampling interval per channel: 0.25 ms Hardware filtering: 0.25 ms, adjustable digital filtering up to 8 ms Resolution: 11 bit + sign bit Inaccuracy: 1% of full scale range



Analog outputs AO1 and AO2 (XAO)	<p>Connector pitch 5 mm, wire size 2.5 mm<sup>2</sup>  0...20 mA, <math>R_{load} &lt; 500</math> ohm  Frequency range: 0...300 Hz  Resolution: 11 bit + sign bit  Inaccuracy: 2% of full scale range</p>
XD2D connector	<p>Connector pitch 5 mm, wire size 2.5 mm<sup>2</sup>  Physical layer: RS-485  Transmission rate: 8 Mbit/s  Cable type: Shielded twisted-pair cable with a twisted pair for data and a wire or another pair for signal ground (nominal impedance 100 ... 165 ohm, for example Belden 9842)  Maximum length of link: 50 m (164 ft)  Termination by jumper</p>
Safe torque off connection (XSTO)	<p>Connector pitch 5 mm, wire size 2.5 mm<sup>2</sup>  Input voltage range: -3...30 V DC  Logic levels: "0" &lt; 5 V, "1" &gt; 17 V.</p> <p><b>Note:</b> For the unit to start, both connections must be "1". This applies to all control units (including drive, inverter, supply, brake, DC/DC converter etc. control units), but true Safe torque off functionality is only achieved through the XSTO connector of the drive/inverter control unit.</p> <p>EMC (immunity) according to IEC 61326-3-1</p>
Control panel connection (X13)	<p>Connector: RJ-45  Cable length &lt; 3 m</p>
<p>The terminals of the control unit fulfill the Protective Extra Low Voltage (PELV) requirements. The PELV requirements of a relay output are not fulfilled if a voltage higher than 48 V is connected to the relay output.</p>	

■ ZCU-1x ground isolation diagram



\* Ground selector (J6) settings

All digital inputs share a common ground (DICOM connected to DIOGND). This is the default setting.

Ground of digital inputs DI1...DI5 and DIIL (DICOM) is isolated from DIO signal ground (DIOGND). Isolation voltage 50 V.

# 10

## Installation example of the standard drive module configuration in Rittal VX25 enclosure

---

### Contents of this chapter

In this chapter, the drive module is installed in a 800 mm wide Rittal VX25 enclosure in a bookshelf way of mounting. The module is placed in an upright position on the cabinet bottom with its front facing the cabinet door. Available alternative ABB parts are also given. For control cable installation, see chapter [Electrical installation \(page 99\)](#).

For instructions on how to install the drive module in a 800 mm wide Rittal TS 8 enclosure, see [revision B](#) of this manual.

### Limitation of liability

The installation must always be designed and made according to applicable local laws and regulations. ABB does not assume any liability whatsoever for any installation which breaches the local laws and/or other regulations. Furthermore, if the recommendations given by ABB are not followed, the drive may experience problems that the warranty does not cover.

### Safety

---



**WARNING!**

Obey the safety instructions of the drive. If you ignore them, injury or death, or damage to the equipment can occur.

---

## Required parts

Drive module standard parts		
<ul style="list-style-type: none"> <li>• Drive module and LCL filter module</li> <li>• Fastening brackets (2 pcs)</li> <li>• Pedestal guide plates (2 pcs)</li> <li>• Telescopic extraction/installation ramp</li> <li>• Fastening screws and insulators in a plastic bag</li> <li>• External control unit</li> </ul>		
Rittal parts / Alternative ABB parts		
Rittal part code	Qty (pcs)	Description
8806.000	1	Enclosure without bottom plates and side panels. Includes supports for installing air baffles.
7967.000 (one set = four pieces)	1	Spacers for roof plates / ABB roof
8100.743	1	Punched section with mounting flange, inner mounting level for 800 mm horizontal
Contact ABB for the suitable filter	4	Air filter. Remove the filter mats.
Alternative ABB parts for Rittal parts		
ABB air inlet kit 800 mm 3AUA0000117005 (IP20) 3AUA0000117009 (IP42)	2	See section <a href="#">Air inlet kits (page 174)</a>
ABB air outlet kit 800 mm 3AUA0000125203 (IP20 ) 3AUA0000114968 (IP42)	2	See section <a href="#">Air outlet kits (page 176)</a>
Customer-made parts (not ABB or Rittal products)		
Air baffles	4	See section <a href="#">Air baffles (page 210)</a>
Bottom plate	1	See section <a href="#">Bottom plate (page 209)</a>

## Required tools

- Set of screw drivers (Torx and Pozidriv)
- Set of metric magnetic-end hexagon sockets
- Torque wrench
- Step drill bit for drilling the holes in the clear plastic shroud for input power cables

## Overall flowchart of the installation process

Step	Task	For instructions, see
1	Install the Rittal parts, drive bottom guide plate and loose drive options in the drive module cubicle	<a href="#">Installing the drive module and LCL filter module into an enclosure (page 133)</a>
2	Install the auxiliary components (such as mounting plates, switches, busbars etc.)	The component manufacturer's instructions <a href="#">Preventing the recirculation of hot air (page 60)</a>
3	Attach the drive module and LCL filter module into the enclosure	<a href="#">Installing the drive module and LCL filter module into an enclosure (page 133)</a>

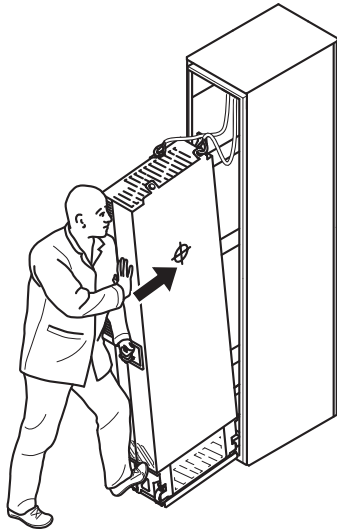
Step	Task	For instructions, see
4	Connect the power cables and clear plastic shrouds to the drive module. Connect the power supply cable to the LCL filter cooling fan.	<a href="#">Connecting the motor cables and installing the shrouds (page 134)</a> <a href="#">Connecting the input cables and installing the shrouds (page 135)</a> <a href="#">Connecting the power cables (page 101)</a>
5	Install the air baffles	<a href="#">Installing the air baffles (page 136)</a>
6	Install the external control unit	<a href="#">Attaching the external control unit (page 109)</a>
7	Connect the control cables	<a href="#">Connecting the control cables to the terminals of the external control unit (page 112)</a>
8	Install the remaining parts, for example, air baffles, cabinet doors, side plates, etc.	The component manufacturer's instructions

## Installing the drive module and LCL filter module into an enclosure

See [Installing the drive module and LCL filter module into a Rittal VX25 enclosure \(page 247\)](#)

Step	Tasks
<b>Mechanical accessories</b>	
1	Attach the plinth to the floor.
2	Attach the enclosure frame to the plinth.
3	Make the bottom plate with 360-degree grounding entries for power cables. Attach the bottom plate to the enclosure frame.
4	Attach the punched section to the back of enclosure frame.
5	Attach the mounting brackets to the punched section.
<b>LCL filter module</b>	
6	Install the pedestal to the LCL filter module.
7	Install the cooling fan to the LCL filter module.
8	Attach the LCL filter module pedestal guide plate to the enclosure bottom plate.
9	Attach the drive module pedestal guide plate to the enclosure bottom plate.
10	Attach the extraction/installation ramp to the LCL filter module pedestal guide plate.
11	To prevent the LCL filter module from falling, attach its lifting lugs with chains to the enclosure frame.


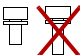
134 Installation example of the standard drive module configuration in Rittal VX25 enclosure

12	<p>Push the LCL filter module carefully into the enclosure along the extraction/installation ramp. Work preferably with help from another person as shown below. Keep a constant pressure with one foot on the base of the module to prevent the module from falling on its back.</p> 
13	Unfasten the extraction/installation ramp and attach the LCL filter module to bottom plate.
<b>Drive module</b>	
14	Attach the extraction/installation ramp to the drive module pedestal guide plate.
15	Remove the sheeting from the clear plastic shrouds of the drive module from both sides.
16	Install the top metallic shroud to the drive module.
17	Install the back shrouds to the drive module.
18	To prevent the drive module from falling, attach its lifting lugs with chains to the enclosure frame.
19	Push the drive module carefully into the enclosure along the extraction/installation ramp. Work preferably with help from another person as shown above. Keep a constant pressure with one foot on the base of the module to prevent the module from falling on its back.
20	Unfasten the extraction/installation ramp and attach the drive module to the bottom plate.
<b>LCL filter module and drive module attachments and intermediate electrical connections</b>	
21	Attach the LCL filter module and drive module to the punched section.
22	Attach the LCL filter module to the side of drive module from top. Reinstall the cover.
23	Attach the drive module and LCL filter module to the bottom plate.
24	Connect the LCL filter busbars to the drive module busbars with the connecting busbars.
25	Attach the LCL filter module to the drive module side from bottom.
26	Connect the LCL filter fan power supply cable to connector FAN3:LCL.
<b>Air baffles</b>	
-	After the electrical installation has been done, install the air baffles. For instructions, see section <a href="#">Installing the air baffles (page 136)</a> .

## Connecting the motor cables and installing the shrouds


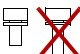
See [Connecting the motor cables and installing the shrouds \(page 252\)](#)

Step	Tasks (motor cables)
1	Install the grounding terminal to the drive module base.
2	Run the motor cables to the enclosure. Ground the cable shields 360 degrees at the enclosure entry.

3	Connect the twisted shields of the motor cables to the grounding terminal.
4	<p>Screw in and tighten the insulators to the drive module by hand. Install the T3/W2 connection terminal to the insulators.</p>  <p><b>WARNING!</b> Do not use longer screws or bigger tightening torque than given in the installation drawing. They can damage the insulator and cause dangerous voltage to be present at the module frame.</p> 
5	Connect the phase T3/W2 conductors to the T3/W2 terminal.
6	Install the T2/V2 connection terminal to the insulators. See the warning in step 4.
7	Connect the phase T2/V2 conductors to the T2/V2 connection terminal.
8	Install the T1/U2 connection terminal to the insulators. See the warning in step 4.
9	Connect the phase T1/U2 conductors to the T1/U2 terminal.
10	Remove the plastic sheeting from the motor cable clear plastic shroud from both sides.
11	Install the shroud on the motor cable connections,
12	Install the lower front cover to the drive module.
13	Drill holes for the power cables to the bottom clear plastic shrouds.
14	Remove the plastic sheeting from the bottom clear plastic shrouds.
15	Install the bottom first shroud on the motor cable entry.
16	Install the second shroud on the motor cable entry.

## Connecting the input cables and installing the shrouds

See [Connecting the input power cables and installing the shrouds \(page 255\)](#)

Step	Tasks (input cables)
1	Ground the input cable shields (if present) 360 degrees at the enclosure entry.
2	Connect the twisted shields of the input cables and separate ground cable (if present) to the enclosure grounding busbar.
3	<p>Step drill carefully sufficiently big holes to the entry clear plastic shroud for the cables to be connected. Align the holes in the vertical direction according to the alignment holes in the shroud. Smooth the hole edges.</p> <p>Remove the plastic sheeting from both sides of the shroud.</p> <p>Attach the cables firmly to the enclosure frame to prevent chafing against the hole edges.</p>
4	Put the conductors of the input cables through the drilled holes in the clear plastic shroud.
5	<u>For drive modules without option +H370:</u> Connect the input cable conductors to the drive module L1/U1, L2/V1 and L3/W1 connection busbars, Go to step 12.
<b>Tasks with option +H370: Do steps 6 to 11.</b>	
6	<p>Screw in and tighten the insulators to the drive module by hand. Install the L1/U1 connection terminal to the insulators.</p>  <p><b>WARNING!</b> Do not use longer screws or bigger tightening torque than given in the installation drawing. They can damage the insulator and cause dangerous voltage to be present at the module frame.</p> 
7	Connect the L1/U1 conductors to the L1/U1 connection terminal.

8	Install the L2/V1 connection terminal to the insulators. See the warning in step 5.
9	Connect the L2/V1 conductors to the L2/V1 connection terminal.
10	Install the L3/W1 connection terminal to the insulators. See the warning in step 5.
11	Connect the L3/W1 conductors to the L3/W1 connection terminal.
12	Install the side clear plastic shroud and the upper front cover of the drive module.
13	Install the entry clear plastic shroud. and motor cable shroud .
14	Install the top clear plastic shroud to the drive module.

## Installing the air baffles

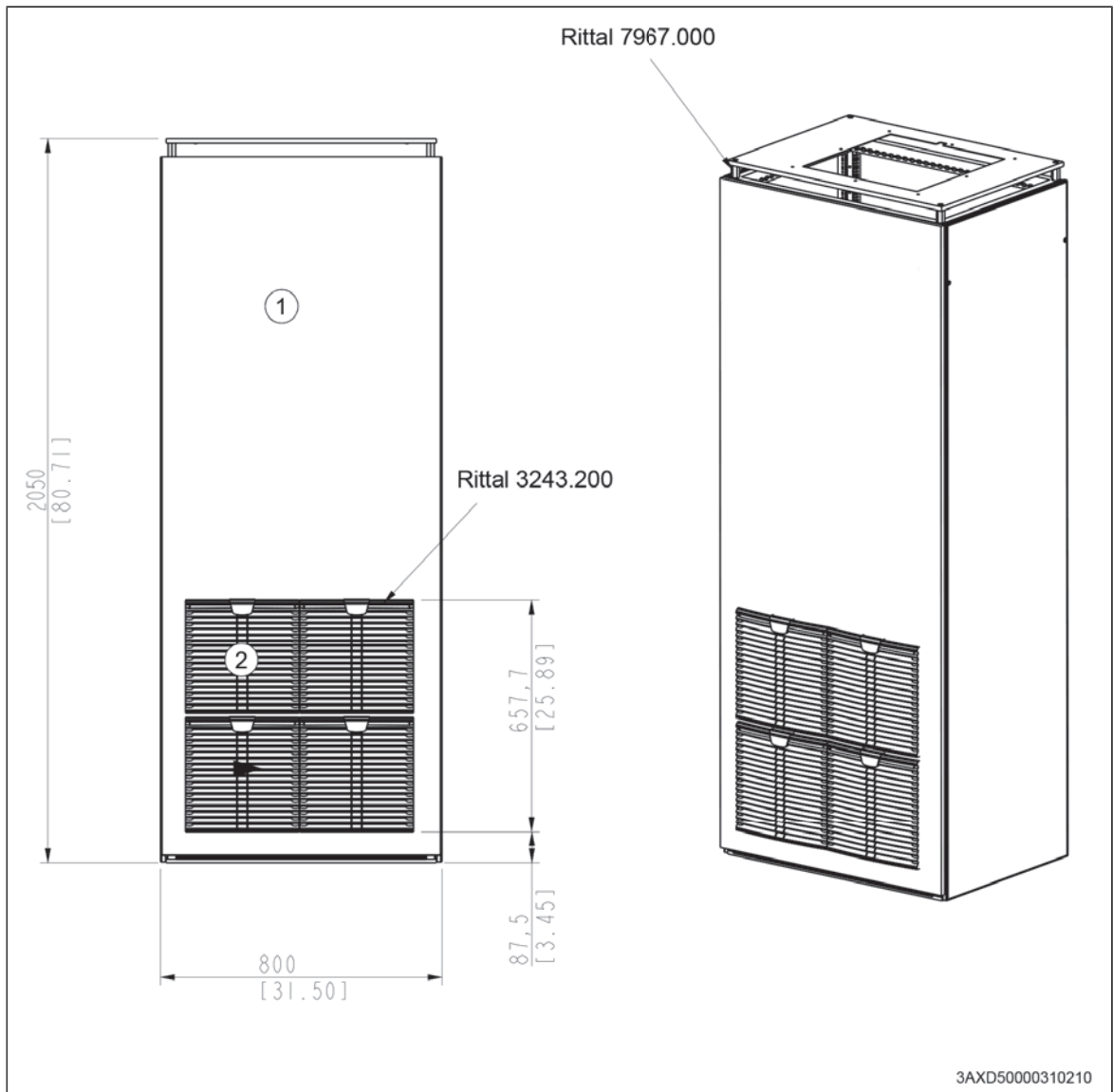
See:

- [Step-by-step drawings for an installation example of standard drive configuration in Rittal VX25 800 mm wide enclosure \(page 245\)](#)
  - [Air baffles \(page 210\)](#)
  - [Air baffles for option +H381 in 800 mm wide Rittal VX25 enclosure \(page 211\)](#)
-



## Installing the roof and door (Rittal parts)

This drawing shows a layout tested by ABB.



3AXD50000310210

1	Door
2	Install these gratings as close to each other as possible. Remove the filter mats.

## Removing the protective covering from the drive module and LCL filter module air outlet



**WARNING!**

Remove the protective covering from the top of the drive module after the installation. If the covering is not removed, the cooling air cannot flow freely through the module and the drive will run to overtemperature.

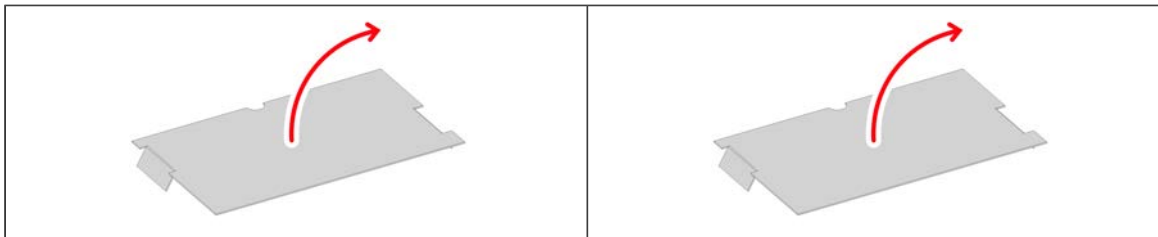
---



**WARNING!**

Remove the protective covering from the top of the LCL filter module after the installation. If the covering is not removed, the cooling air cannot flow freely through the module and the drive will run to overtemperature.

---



# 11

## Installation example with full cabling panels (option +H381)

---

### Contents of this chapter

In this chapter, the drive module and LCL filter module are installed in a 800 mm wide Rittal VX25 enclosure in a bookshelf way. The modules are placed in an upright position on the enclosure bottom with the front facing the enclosure door. Space for the additional components can be made by connecting two or more VX25 enclosures together. Available alternative ABB parts are also given.

### Limitation of liability

The installation must always be designed and made according to applicable local laws and regulations. ABB does not assume any liability whatsoever for any installation which breaches the local laws and/or other regulations. Furthermore, if the recommendations given by ABB are not followed, the drive may experience problems that the warranty does not cover.

### Safety

---



**WARNING!**

Obey the safety instructions of the drive. If you ignore them, injury or death, or damage to the equipment can occur. If you are not a qualified electrical professional, do not do installation or maintenance work.

---

## Required parts

Drive module standard parts		
<ul style="list-style-type: none"> <li>• Drive module and LCL filter module</li> <li>• Top guide plate</li> <li>• Fastening brackets (2 pcs)</li> <li>• Grounding busbar</li> <li>• Pedestal guide plates (2 pcs)</li> <li>• Telescopic extraction and insertion ramp</li> <li>• Fastening screws in a plastic bag</li> <li>• External control unit</li> </ul>		
Drive module options		
Option code	Qty (pcs)	Description
+H381	1	Full power cabling panels
Rittal parts and alternative ABB parts		
Rittal part code	Qty (pcs)	Description
VX 8806.000	1	Enclosure frame: Frame, rear door, roof plate, plinth.
VX 8106.245	1	Side panels for the enclosure
SZ/DK 7967.000 (one set = four pieces) + additional spacers	1	Spacers for roof plate. Alternative ABB roof (3AUA0000125203 [IP20], AUA0000114968 [IP42]), see <a href="#">Air outlet kits (page 176)</a> .
VX 8617.140 (one set = four pieces)	1	Punched section without mounting flange, for 800 mm horizontal
SK 3243.200 / ABB 3AUA0000117002 (IP20) ABB 3AUA0000117007 (IP42)	4 / 2	Air filter 323 mm × 323 mm. Remove the filter mat according to the manufacturer's instructions.  Alternative ABB air filters (3AUA0000117002 [IP20], 3AUA0000117007 [IP42]), see <a href="#">Air inlet kits (page 174)</a> .
Customer-made parts (not ABB or Rittal products)		
Air baffles	4	See <a href="#">Air baffles for option +H381 in 800 mm wide Rittal VX25 enclosure (page 211)</a>
Enclosure bottom plate	1	See <a href="#">Bottom plate (page 209)</a>

## Required tools

- Set of screw drivers (Torx and Pozidriv)
- Set of metric magnetic-end hexagon sockets
- Torque wrench with a 500 mm (20 in) or 2 × 250 mm (2 × 10 in) long extension bar

## Overall flowchart of the installation process

Step	Task	For instructions, see
1	Install the Rittal parts and drive module mechanical accessories into the enclosure	<i>Installing the mechanical accessories into a enclosure (page 141)</i>
2	Connect the power cables to the cabling panels	<i>Connecting the power cables (page 143)</i>
3	Install the drive module into the enclosure	<i>Installing the drive module into the enclosure (page 146)</i>
4	Install the external control unit	<i>Attaching the external control unit (page 109)</i>
5	Connect the control cables	<i>Connecting the external control unit to the drive module (page 107)</i>
6	Install the remaining parts, for example, enclosure doors, side plates, etc.	The component manufacturer's instructions

## Installing the mechanical accessories into a enclosure

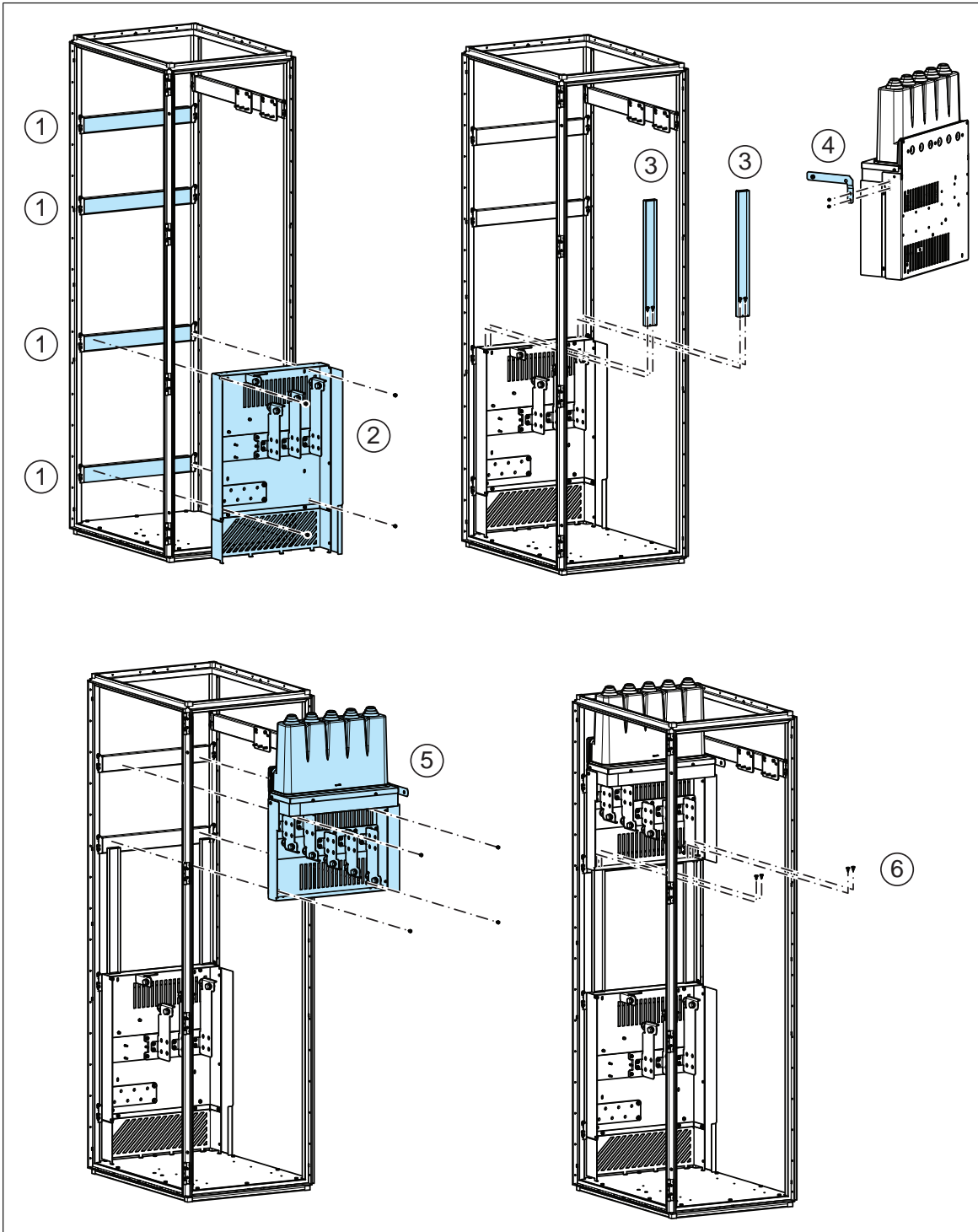
See *Step-by-step drawings for an installation example of standard drive configuration in Rittal VX25 800 mm wide enclosure (page 245)* for these steps:

1. Attach the plinth to the floor.
2. Attach the enclosure frame to the plinth.
3. Make the bottom plate with 360-degree grounding entries for power cables. Attach the bottom plate to the enclosure frame.
4. Attach the punched section to the back of enclosure frame.
5. Attach the mounting brackets to the punched section.

To install the full cabling panels to the enclosure frame (see the drawings on the next page):

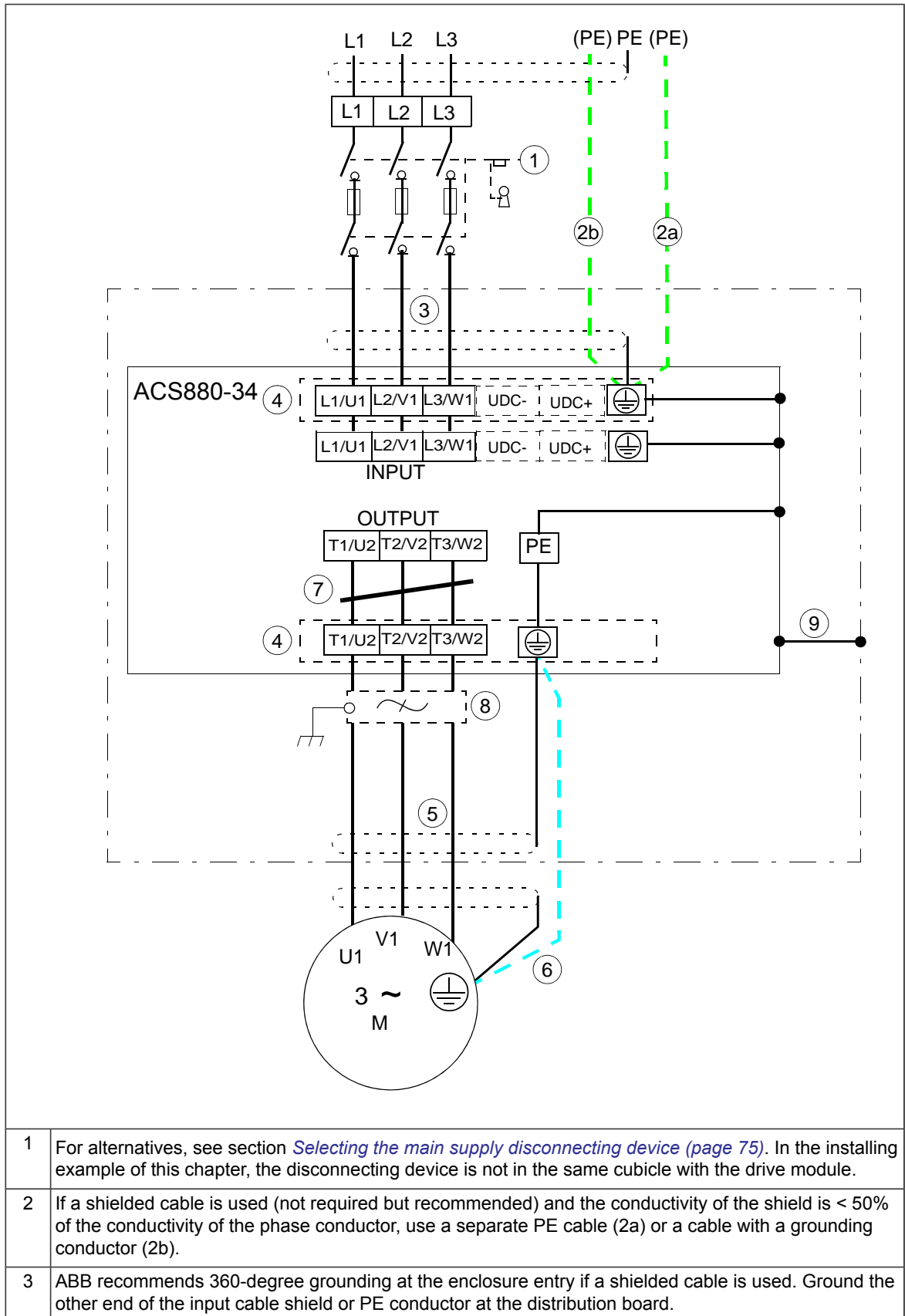
1. Install the Rittal punched sections VX 8100.742 to which the output cabling panel and the input cabling panel will be attached.
  2. Attach the output cabling panel to the punched sections.
  3. Install the side guides to the output cabling panel (2 screws for each guide).
  4. Attach the grounding busbar to the input cabling panel.
  5. Attach the input cabling panel to the punched sections.
  6. Attach the input cabling panel to the side guides (2 screws for each side guide).
  7. Install the telescopic extraction and insertion ramp as shown in chapter *Step-by-step drawings for an installation example of standard drive configuration in Rittal VX25 800 mm wide enclosure (page 245)*.
-

142 Installation example with full cabling panels (option +H381)



## Connecting the power cables

### ■ Connection diagram



4	Input and output power cabling panels (option +H381)
5	ABB recommends 360-degree grounding at the enclosure entry
6	Use a separate grounding cable if the conductivity of the cable shield is < 50% of the conductivity of the phase conductor and there is no symmetrically constructed grounding conductor in the cable (see section <a href="#">Recommended power cable types</a> )
7	Common mode filter (option)
8	du/dt filter (option)
9	The drive module frame must be connected to the enclosure frame. See <a href="#">Grounding of mounting structures (page 46)</a> and section <a href="#">Grounding the drive module and the LCL filter module (page 73)</a> .
<p><b>Note:</b> If there is a symmetrically constructed grounding conductor in the motor cable in addition to the conductive shield, connect the grounding conductor to the grounding terminal at the drive and motor ends.</p> <p>Do not use an asymmetrically constructed motor cable. Connecting its fourth conductor at the motor end increases bearing currents and causes extra wear.</p>	

### ■ Power cable connection procedure



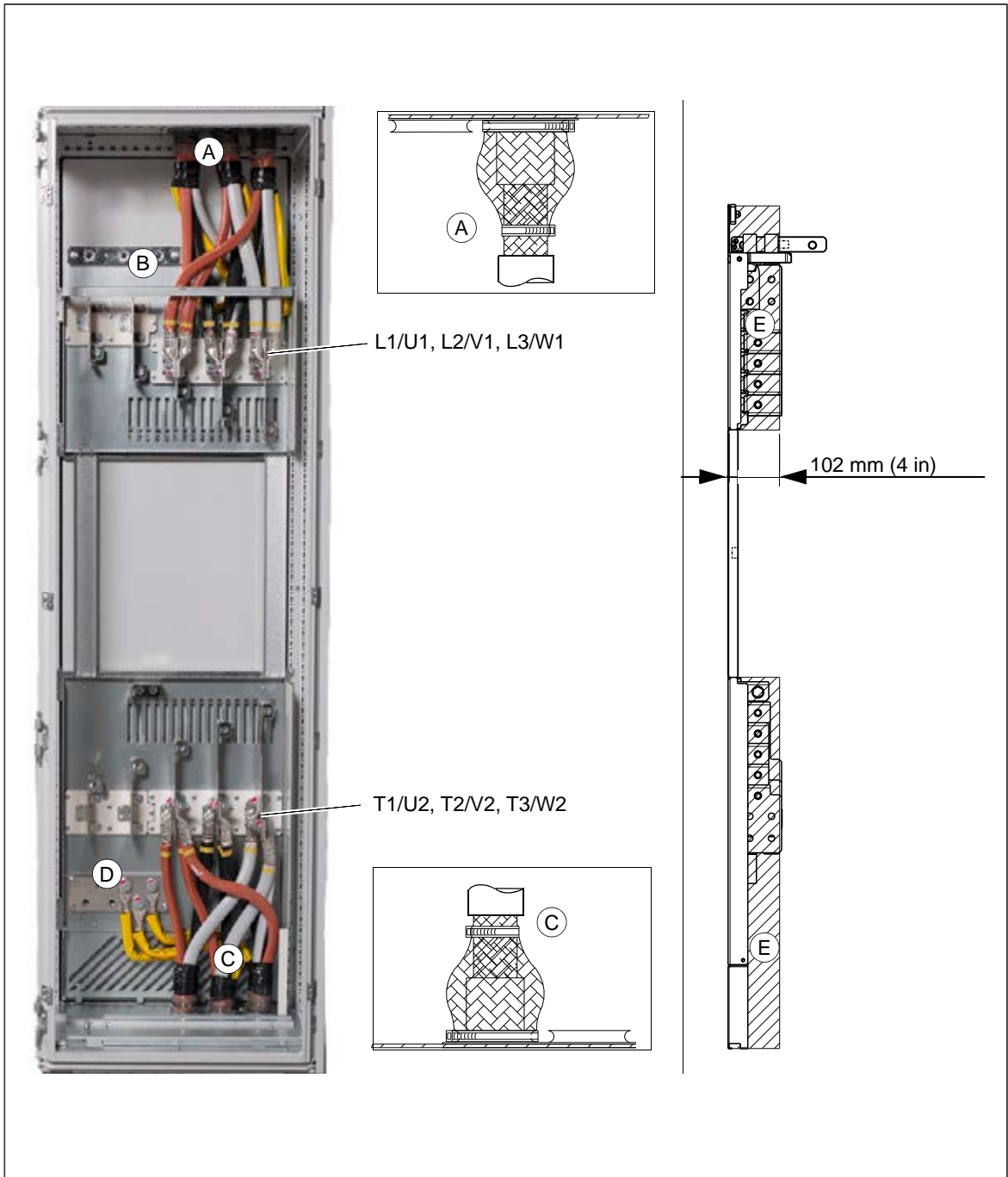
#### **WARNING!**

Obey the safety instructions of the drive. If you ignore them, injury or death, or damage to the equipment can occur.

1. Run the motor cables from the motor to the enclosure. Ground the cable shields 360° at the entry plate.
2. Twist the cable shields of the motor cables into bundles and connect them and any separate ground conductors or cables to the ground busbar of the output power cabling panel.
3. Connect the phase conductors of the motor cables to terminals T1/U2, T2/V2 and T3/W2 of the output cabling panel. For the tightening torques, see Technical data.
4. Make sure that all power is disconnected and reconnection is not possible. Use proper safe disconnect procedures according to local codes.
5. Twist the cable shields of the input cables into bundles and connect them and any separate ground conductors or cables to grounding busbar of the input cabling panel.
6. Connect the phase conductors of the input cables to terminals L1/U1, L2/V1 and L3/W1 of the input cabling panel. For the tightening torques, see Technical data.
7. Brake chopper option: Connect the conductors to the UDC+ and UDC- terminals. For the tightening torques, see Technical data.



An example installation is shown below.



View without enclosure side plate in place.

A	360-degree grounding at the entry plate for the input power cables
B	Grounding busbar of the input power cabling panel
C	360-degree grounding at the entry plate for the output power cables
D	Grounding busbar of the output power cabling panel
E	Allowed space for power cables.

**Note:** The input and output power cables must fit inside the area marked with diagonal lines to prevent chafing of the cables when the drive module is inserted into the enclosure.

## Installing the drive module into the enclosure

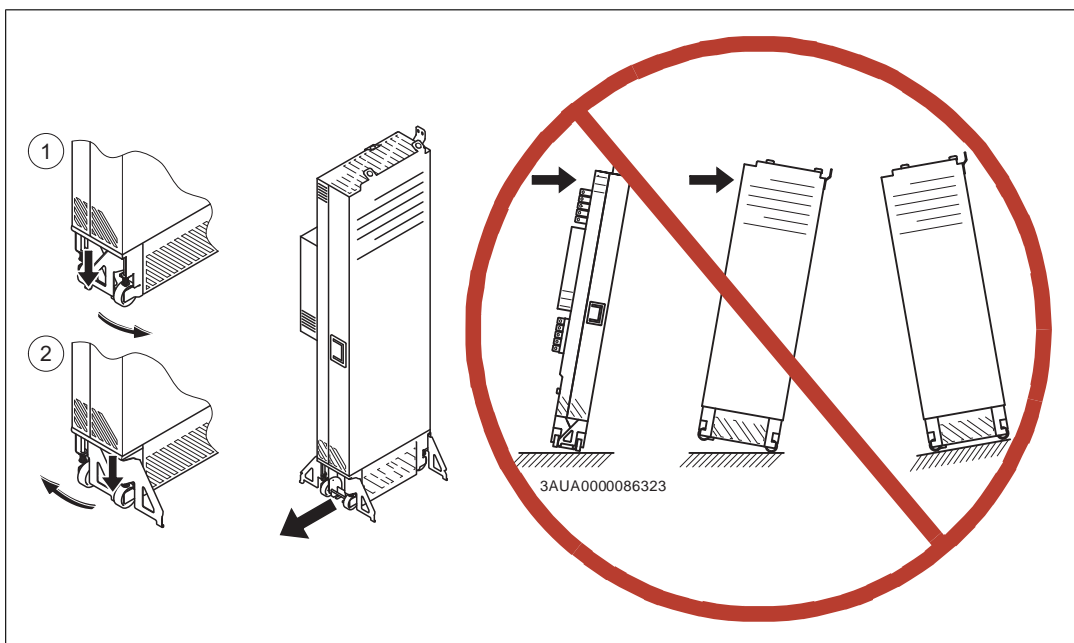


### WARNING!

Obey the safety instructions of the drive. If you ignore them, injury or death, or damage to the equipment can occur.

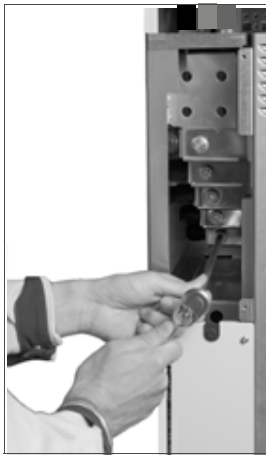
Handle the drive module carefully. Make sure that the module does not fall down when moving it on the floor and during installation and maintenance work: Open the support legs by pressing each leg a little down and turning it aside (1, 2). When ever possible secure the module also with chains from top.

Do not tilt the drive module. It is heavy and its center of gravity is high. The module will overturn from a sideways tilt of 5 degrees. Do not leave the module unattended on a sloping floor.



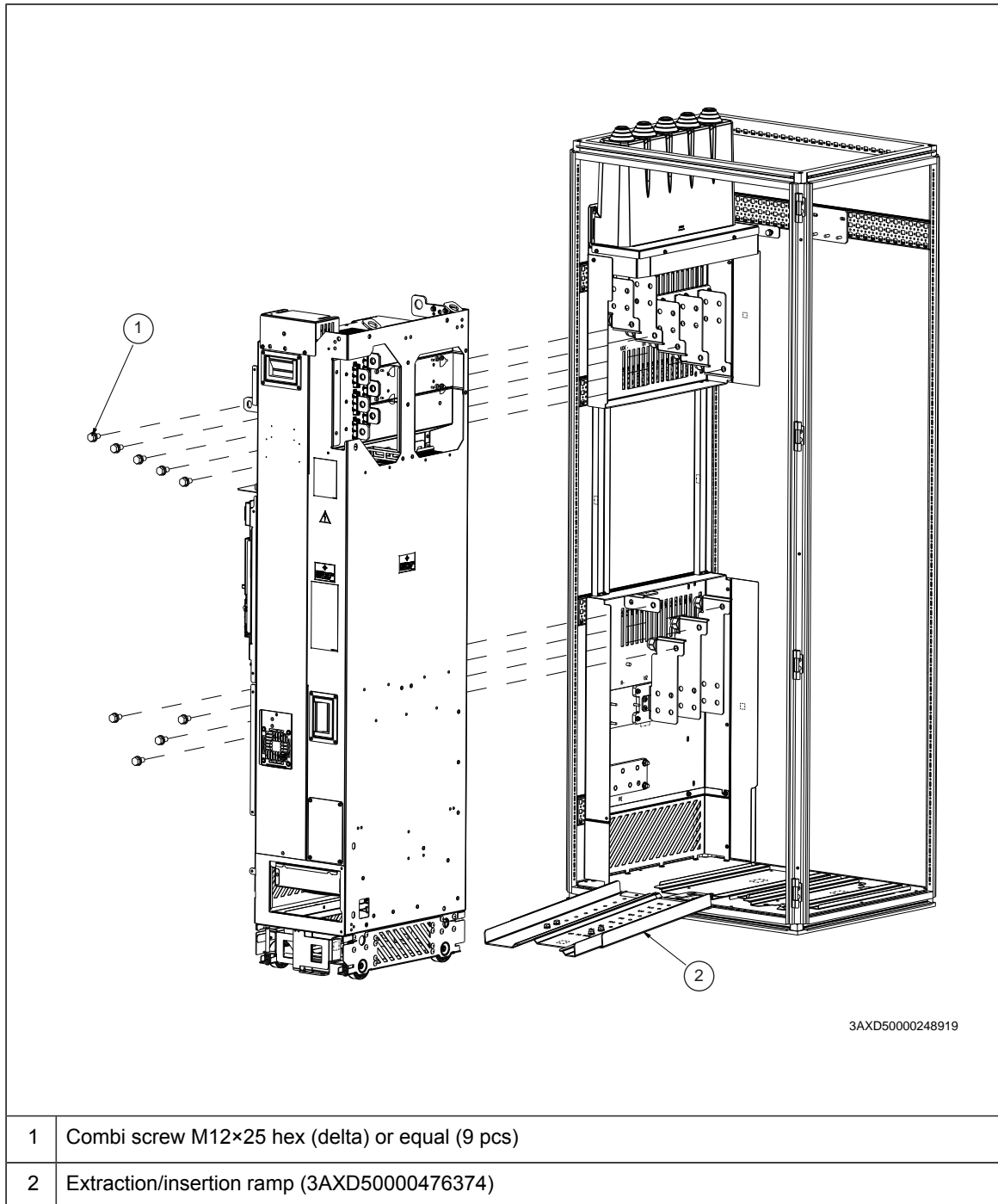
## ■ Installation procedure

1. Install the drive module and the LCL filter module into the Rittal enclosure as shown in [Step-by-step drawings for an installation example of standard drive configuration in Rittal VX25 800 mm wide enclosure \(page 245\)](#).
2. Attach the grounding busbar that has been previously attached to the input cabling panel to the drive module.
3. Remove the upper and lower left-hand side front covers of the drive module (M4×8 combi screws, 2 N·m [1.48 lbf·ft]).
4. Connect the busbars of the drive module to the busbars of the cabling panels (M12 combi screw, 70 N·m [52 lbf·ft]).



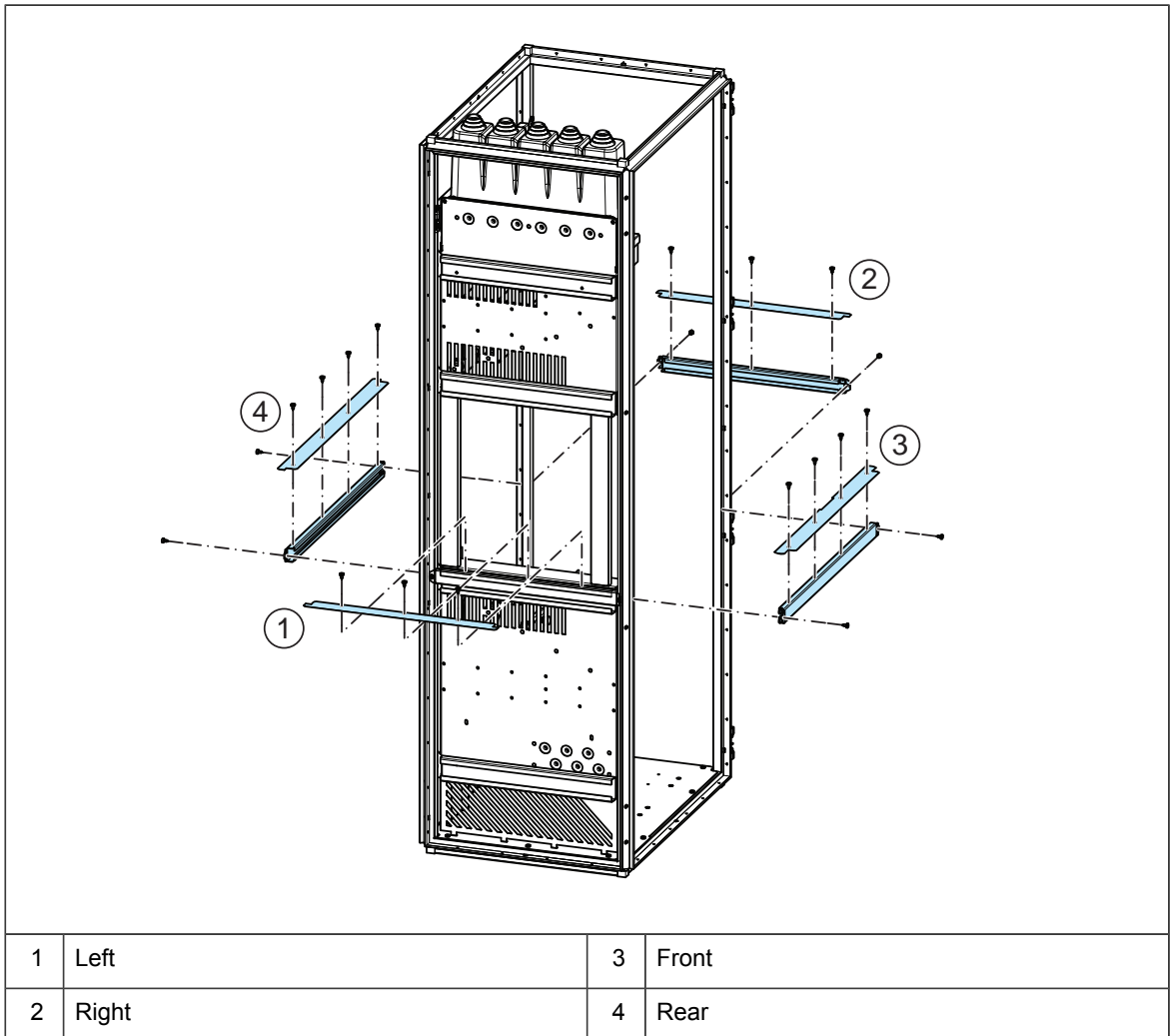
5. Attach the enclosure roof on the spacers.
  6. Attach the side panels.
  7. Remove the filter mats from the air filters according to Rittal's instructions. Install the filters to the enclosure door.
  8. Put back the removed front covers of the drive module.
  9. Connect the control cables (see section [Connecting the control cables to the terminals of the external control unit \(page 112\)](#)).
-

### Assembly drawing of connecting the drive module to the cabling panels



## Installing air baffles (non-ABB parts)

See dimension drawings for the air baffle measurements.



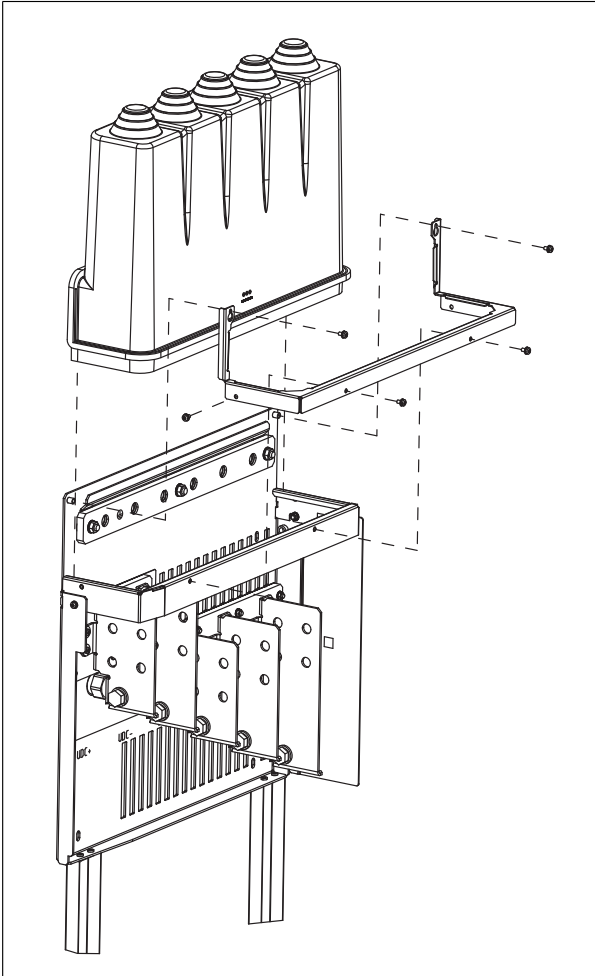
## Miscellaneous

### ■ Installing the rubber grommet

To get IP20 degree of protection for the drive module, install the input power cables through the rubber grommet. Install the grommet as follows:

1. Cut adequate holes into the grommet for the input power cables.
2. Put the cables through the grommet.
3. Attach the grommet to the input cabling panel with five M4x8 Torx T20 screws as shown below.

150 Installation example with full cabling panels (option +H381)



# 12

## Installation checklist

---

### Contents of this chapter

This chapter contains a checklist of the mechanical and electrical installation of the drive.

### Checklist

Examine the mechanical and electrical installation of the drive before start-up. Go through the checklist together with another person.



#### **WARNING!**

Obey the safety instructions of the drive. If you ignore them, injury or death, or damage to the equipment can occur. If you are not a qualified electrical professional, do not do installation or maintenance work.



#### **WARNING!**

Stop the drive and do the steps in section [Electrical safety precautions \(page 18\)](#) before you start the work.

<b>Make sure that ...</b>	<input checked="" type="checkbox"/>
The ambient operating conditions meet the drive ambient conditions specification, and enclosure rating (IP code or UL enclosure type).	<input type="checkbox"/>
The supply voltage matches the nominal input voltage of the drive. See the type designation label.	<input type="checkbox"/>
The insulation resistance of the input power cable, motor cable and motor is measured according to local regulations and the manuals of the drive.	<input type="checkbox"/>
The drive cabinet is attached to the floor, and if necessary due to vibration etc, also by its top to the wall or roof.	<input type="checkbox"/>
The drive module is fastened properly to the enclosure.	<input type="checkbox"/>

---

152 Installation checklist

<b>Make sure that ...</b>	<input checked="" type="checkbox"/>
The cooling air flows freely in and out of the drive. Air recirculation inside the cabinet is not possible (air baffle plates are on place, or there is another air guiding solution).	<input type="checkbox"/>
<u>If the drive is connected to a network other than a symmetrically grounded TN-S system:</u> You have done all the required modifications (for example, you may need to disconnect the EMC filter or ground-to-phase varistor). See the electrical installation instructions.	<input type="checkbox"/>
The enclosures of the equipment in the cabinet have proper galvanic connection to the cabinet protective earth (ground) busbar; The connection surfaces at the fastening points are bare (unpainted) and the connections are tight, or separate grounding conductors have been installed.	<input type="checkbox"/>
The main circuit connections inside the drive cabinet correspond to the circuit diagrams.	<input type="checkbox"/>
The control unit has been connected. See the circuit diagrams.	<input type="checkbox"/>
Appropriate AC fuses and main disconnecting device are installed.	<input type="checkbox"/>
There is an adequately sized protective earth (ground) conductor(s) between the drive and the switchboard, the conductor is connected to correct terminal, and the terminal is tightened to the correct torque. Proper grounding has also been measured according to the regulations.	<input type="checkbox"/>
The input power cable is connected to the correct terminals, the phase order is correct, and the terminals are tightened to the correct torque.	<input type="checkbox"/>
There is an adequately sized protective earth (ground) conductor between the motor and the drive, and the conductor is connected to the correct terminal, and the terminal is tightened to the correct torque. Proper grounding has also been measured according to the regulations.	<input type="checkbox"/>
The motor cable is connected to the correct terminals, the phase order is correct, and the terminals are tightened to the correct torque.	<input type="checkbox"/>
The motor cable is routed away from other cables.	<input type="checkbox"/>
No power factor compensation capacitors are connected to the motor cable.	<input type="checkbox"/>
The control cables are connected to the correct terminals, and the terminals are tightened to the correct torque.	<input type="checkbox"/>
<u>If a drive bypass connection will be used:</u> The direct-on-line contactor of the motor and the drive output contactor are either mechanically and/or electrically interlocked, that is, they cannot be closed at the same time. A thermal overload device must be used for protection when bypassing the drive. Refer to local codes and regulations.	<input type="checkbox"/>
There are no tools, foreign objects or dust from drilling inside the drive.	<input type="checkbox"/>
The area in front of the drive is clean: the drive cooling fan cannot draw any dust or dirt inside.	<input type="checkbox"/>
Cover(s) of the motor connection box are in place. Cabinet shrouds are in place and doors are closed.	<input type="checkbox"/>
The motor and the driven equipment are ready for power-up.	<input type="checkbox"/>



# 13

## Start-up

---

### Contents of this chapter

This chapter describes the start-up procedure of the drive.

### Start-up procedure

1. Only qualified electrical professionals are allowed to start-up the drive.
2. Make sure that the installation of the drive module has been checked according to the checklist in chapter *Installation checklist*, and that the motor and driven equipment are ready for start.
3. Perform the start-up tasks instructed by the cabinet-installer of the drive module.
4. Switch the power on, setup the drive control program, and perform the first start of the drive and motor. See *Quick start-up guide for ACS880 drives with primary control program* ([3AUA0000098062](#) [English]) or *ACS880 primary control program firmware manual* ([3AUA0000085967](#) [English]). If you need more information on the use of the control panel, see *ACx-AP-x Assistant control panels user's manual* ([3AUA0000085685](#) [English]).
  - For drives with resistor braking (option +D150): See also section *Start-up in Resistor braking*.
  - For drives with ABB du/dt filter: Check that bit 13 of parameter *95.20 HW options word 1* is switched on.
  - For drives with ABB sine filter: Check that parameter *95.15 Special HW settings* is set to ABB sine filter. For other sine filters: See *Sine filter hardware manual* ([3AXD5000016814](#) [English]).
5. For drives with ABB motors in explosive atmospheres: See also *ACS880 drives with ABB motors in explosive atmospheres* ([3AXD5000019585](#) [English]).



6. For drive modules in which the Safe torque off function is in use: Test and validate the operation of the Safe torque off function. See [Validation test procedure \(page 223\)](#).
7. For drive modules with an FSO-xx safety functions module (options +Q972 and Q973): Test and validate the operation of the safety functions. See the delivery-specific circuit diagrams and *FSO-12 safety functions module user's manual* ([3AXD50000015612](#) [English]) or *FSO-21 safety functions module user's manual* ([3AXD50000015614](#) [English]).



# 14

## Fault tracing

---

### Contents of this chapter

This chapter describes the fault tracing possibilities of the drive.

### LEDs

The table below describes the LEDs of the drive module with option +J410.

Where	LED	Color	When the LED is lit
Control panel mounting platform	POWER	Green	Control unit is powered and +15 V is supplied to the control panel
	FAULT	Red	Drive in fault state

### Warning and fault messages

See the firmware manual for the descriptions, causes and remedies of the control program warning and fault messages.

---



# 15

## Maintenance

---

### Contents of this chapter

This chapter contains maintenance instructions of the drive modules.

### Maintenance intervals

The tables below show the maintenance tasks which can be done by the end user. The complete maintenance schedule is available on the Internet ([www.abb.com/drivesservices](http://www.abb.com/drivesservices)). For more information, consult your local ABB Service representative ([www.abb.com/searchchannels](http://www.abb.com/searchchannels)).

The maintenance and component replacement intervals are based on the assumption that the equipment is operated within the specified ratings and ambient conditions. ABB recommends annual drive inspections to ensure the highest reliability and optimum performance.

**Note:** Long term operation near the specified maximum ratings or ambient conditions may require shorter maintenance intervals for certain components. Consult your local ABB Service representative for additional maintenance recommendations.

#### ■ Descriptions of symbols

Action	Description
I	Inspection (visual inspection and maintenance action if needed)
P	Performance of on/off-site work (commissioning, tests, measurements or other work)
R	Replacement

#### ■ Recommended annual maintenance actions by the user

ABB recommends these annual inspections to ensure the highest reliability and optimum performance.

---

Recommended annual actions by the user	Annually
<b>Connections and environment</b>	
Quality of supply voltage	P
<b>Spare parts</b>	
Spare parts	I
DC circuit capacitors reforming, spare modules and spare capacitors	P
<b>Inspections by the user</b>	
Tightness of terminals	I
Dustiness, corrosion and temperature	I
Heat sink cleaning	I

■ **Recommended maintenance intervals after start-up**

Component	Years from start-up						
	3	6	9	12	15	18	21
<b>Cooling</b>							
<b>Main cooling fan</b>							
Main cooling fan (R10 and R11)			R			R	
<b>Auxiliary cooling fan</b>							
Circuit board compartment cooling fans (R10 and R11) LONG-LIFE			R			R	
<b>Aging</b>							
ZCU control unit battery (real-time clock)		R		R		R	
Control panel battery (real-time clock)			R			R	
4FPS10000239703							

■ **Recommended functional safety actions**

Functional safety actions	
Safety function test interval	I
Safety component expiry (Mission time $T_M$ ) 20 years	R

**Cleaning the interior of the cabinet**



**WARNING!**

Obey the safety instructions of the drive. If you ignore them, injury or death, or damage to the equipment can occur. If you are not a qualified electrical professional, do not do installation or maintenance work.



**WARNING!**

Use a vacuum cleaner with antistatic hose and nozzle, and wear a grounding wristband. Using a normal vacuum cleaner creates static discharges which can damage circuit boards.

1. Stop the drive and do the steps in section [Electrical safety precautions \(page 18\)](#) before you start the work.
2. Open the cabinet door.
3. Clean the interior of the cabinet. Use a vacuum cleaner and a soft brush.
4. Clean the air inlets of the fans and air outlets of the modules (top).
5. Clean the air inlet gratings (if any) on the door.
6. Close the door.

## Cleaning the interior of the heatsink

The module heatsink fins pick up dust from the cooling air. The drive runs into overtemperature warnings and faults if the heatsink is not clean.



### WARNING!

Obey the safety instructions of the drive. If you ignore them, injury or death, or damage to the equipment can occur.

---

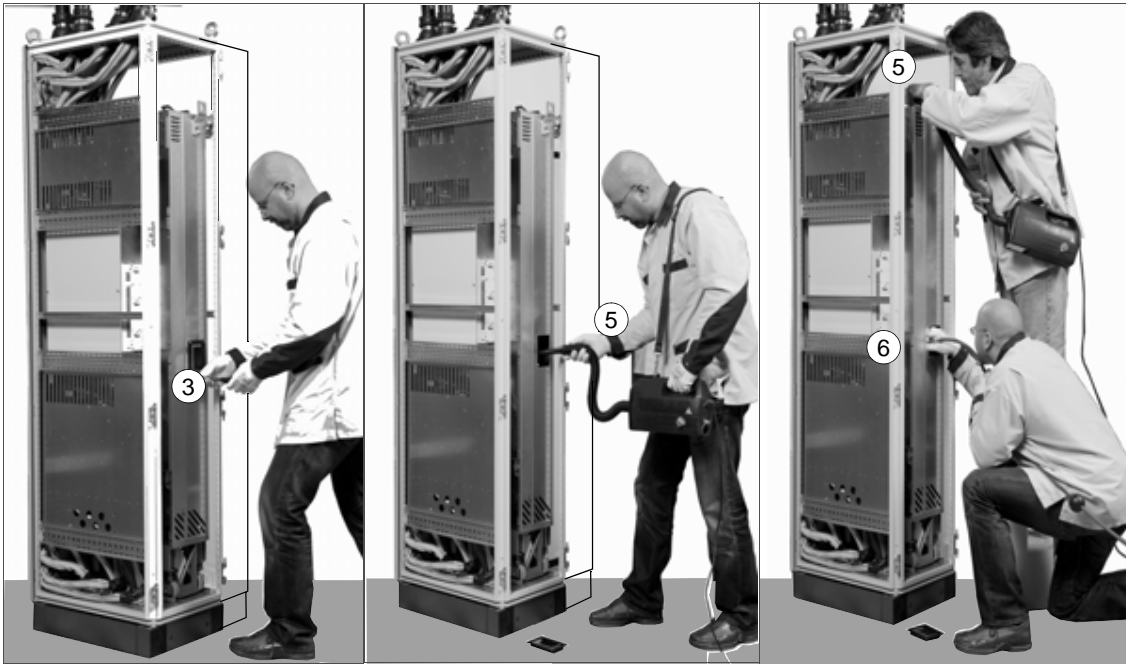


### WARNING!

Use a vacuum cleaner with antistatic hose and nozzle, and wear a grounding wristband. Using a normal vacuum cleaner creates static discharges which can damage circuit boards.

---

1. Stop the drive and do the steps in section [Electrical safety precautions \(page 18\)](#) before you start the work.
  2. Make sure that the drive is disconnected from the power line and all other precautions described under [Grounding \(page 21\)](#) have been taken into consideration.
  3. Undo the attaching screws of the handle plate of the drive module.
  4. Remove the handle plate.
  5. Vacuum the interior of the heatsink from the opening.
  6. Blow clean compressed air (not humid or oily) upwards from the opening and, at the same time, vacuum from the top of the drive module.  
**Note:** If there is a risk of dust entering adjoining equipment, perform the cleaning in another room.
  7. Reinstall the cover plate.
-



## Cleaning the interior of the LCL filter

Clean the interior of the LCL filter in the same way as the heatsink in section [Cleaning the interior of the heatsink \(page 159\)](#).

## Fans

The lifespan of the cooling fans of the drive depends on the running time, ambient temperature and dust concentration. See the firmware manual for the actual signal which indicates the running time of the cooling fan. Reset the running time signal after fan replacement.

Replacement fans are available from ABB. Do not use other than ABB specified spare parts.

### ■ Replacing the auxiliary cooling fans of the drive module



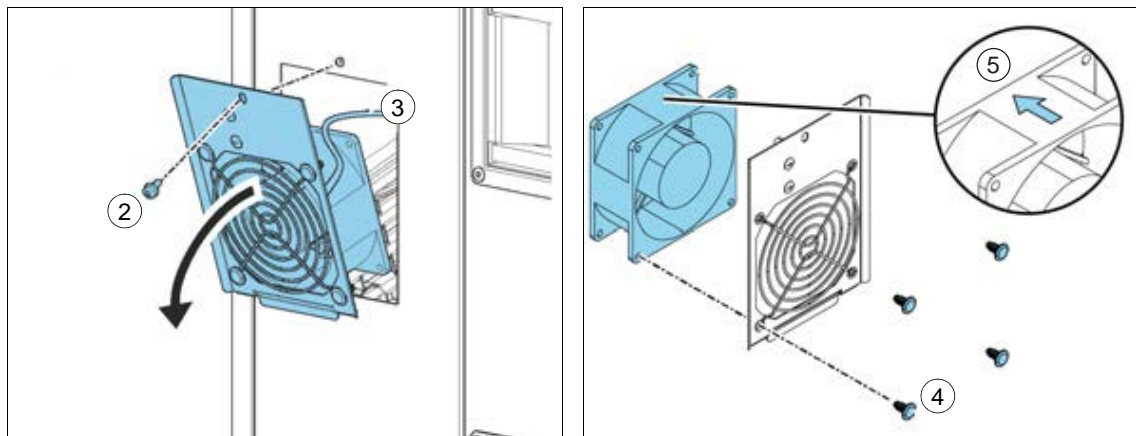
#### **WARNING!**

Obey the safety instructions of the drive. If you ignore them, injury or death, or damage to the equipment can occur.

#### Fan in the front panel:

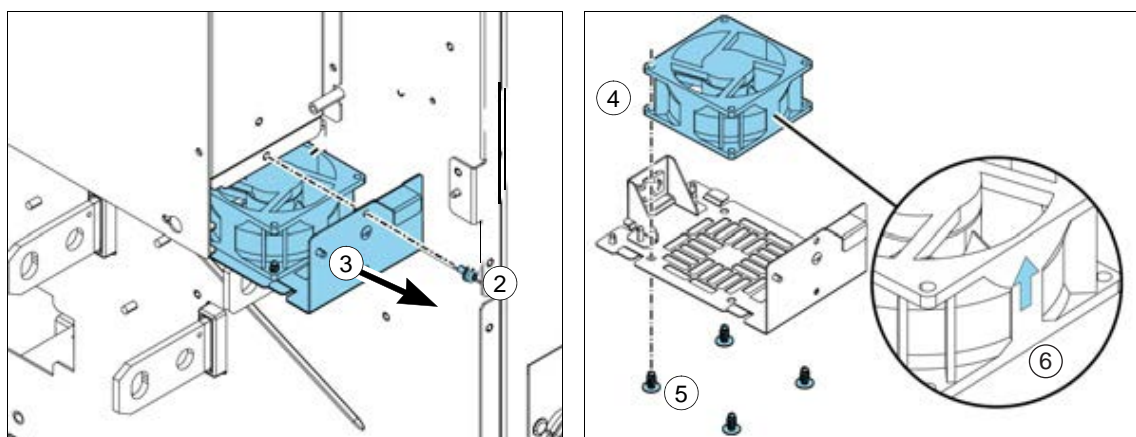
1. Stop the drive and do the steps in section [Electrical safety precautions \(page 18\)](#) before you start the work.
2. Undo the mounting screw of the fan cassette.
3. Unplug the power supply cable of the fan.
4. Undo the mounting screws of the fan.
5. Install the new fan in reverse order. Make sure that the arrow in the fan points to the drive module.
6. Reset the counter (if used) in group 5 in the primary control program.





#### Fan at the bottom of the circuit board compartment:

1. Stop the drive and do the steps in section *Electrical safety precautions (page 18)* before you start the work.
2. Undo the mounting screw of the fan cassette.
3. Pull the fan cassette out:
4. Unplug the power supply cable of the fan.
5. Undo the mounting screws of the fan.
6. Install the new fan in reverse order. Make sure that the arrow in the fan points up.
7. Reset the counter (if used) in group 5 in the primary control program.



#### ■ Replacing the drive module main cooling fans



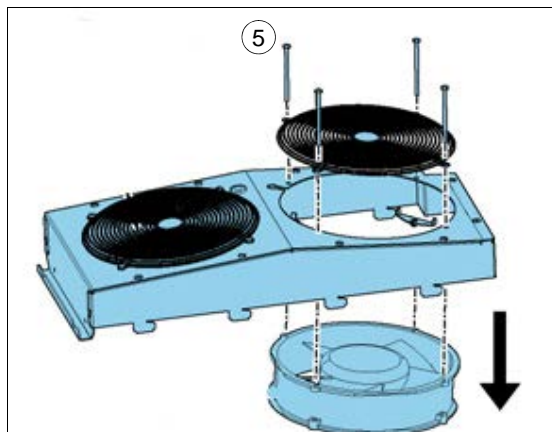
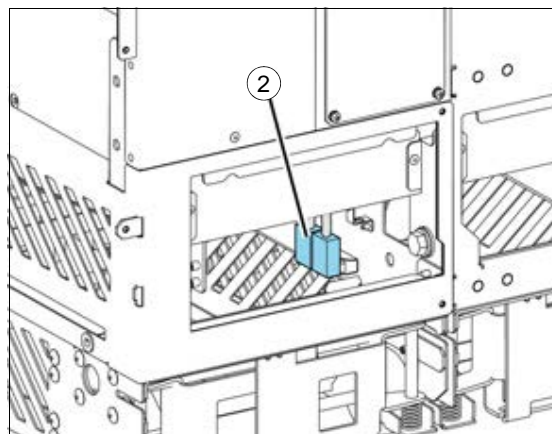
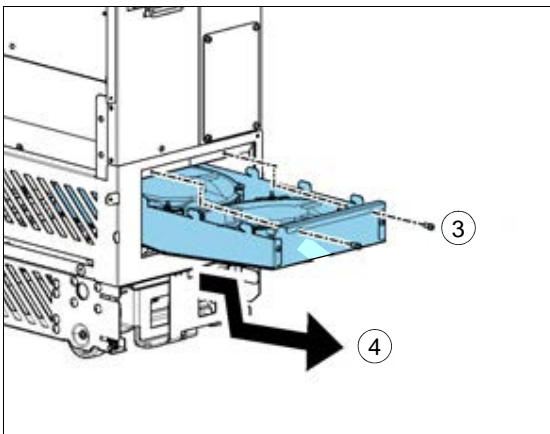
#### **WARNING!**

Obey the safety instructions of the drive. If you ignore them, injury or death, or damage to the equipment can occur.

1. Stop the drive and do the steps in section *Electrical safety precautions (page 18)* before you start the work.
2. Disconnect the power supply wires of the fans from the connector. FAN1:PWR1 and FAN2:PWR2.

3. Undo the mounting screws of the fan cassette.
4. Pull the fan cassette out.
5. Undo the mounting screws of the fan(s).
 

**Note:** 690 V drive modules have only one fan in the cassette.
6. Install the new fans in reverse order. For 690 V drive modules, connect the fan power supply to connector FAN1:PWR1. For other drive modules, connect the power supply wires to both FAN1:PWR1 and FAN2:PWR2.
7. Reset the counter (if used) in group 5 in the primary control program.



### ■ Replacing the LCL filter module cooling fan

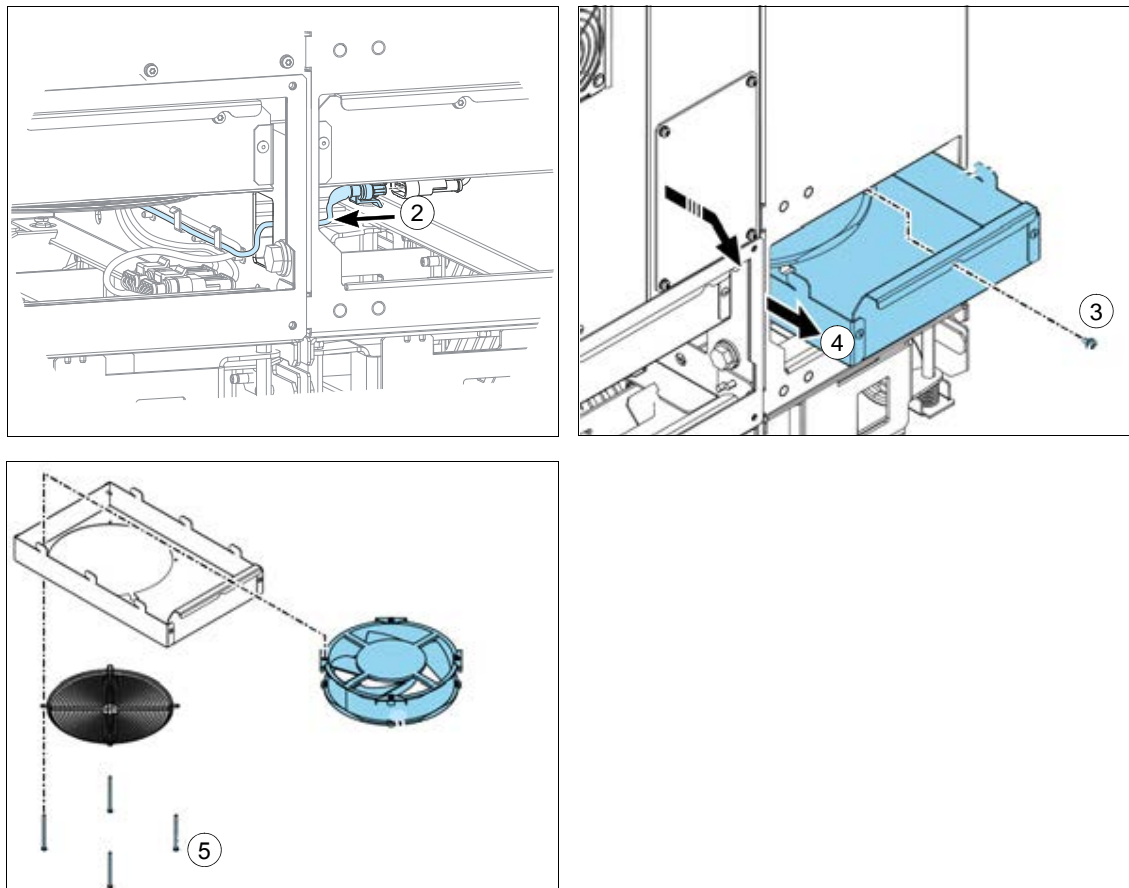


**WARNING!**

Obey the safety instructions of the drive. If you ignore them, injury or death, or damage to the equipment can occur.

1. Stop the drive and do the steps in section *Electrical safety precautions (page 18)* before you start the work.
2. Disconnect the power supply wire of the fan from connector FAN3:LCL.
3. Undo the attaching screw of the fan cassette.
4. Pull the fan cassette out.

5. Undo the mounting screws of the fan. The finger guard of the fan is attached by the same screws and is removed at the same time. Keep the finger guard for reuse
6. Install the new fan in reverse order. Make sure that the arrow in the fan points up.



## Replacing the standard drive module

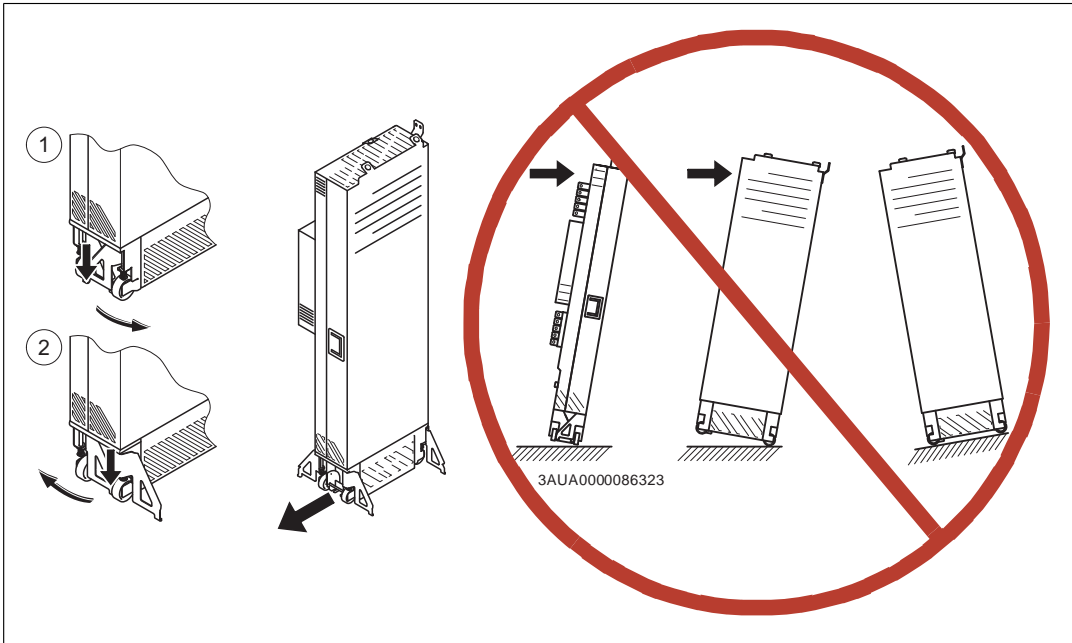


### WARNING!

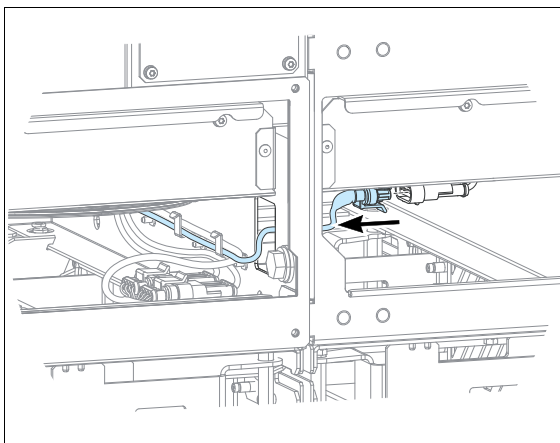
Obey the safety instructions of the drive. If you ignore them, injury or death, or damage to the equipment can occur.

Handle the drive module carefully:

- Use safety shoes with a metal toe cap to prevent foot injury.
- Lift the drive module only by the lifting lugs.
- Make sure that the module does not topple over when you move it on the floor: To open the support legs, press each leg a little down and turn it aside (1, 2). Whenever possible secure the module also with chains.
- Do not tilt the drive module. It is heavy and its center of gravity is high. The module overturns from a sideways tilt of 5 degrees. Do not leave the module unattended on a sloping floor

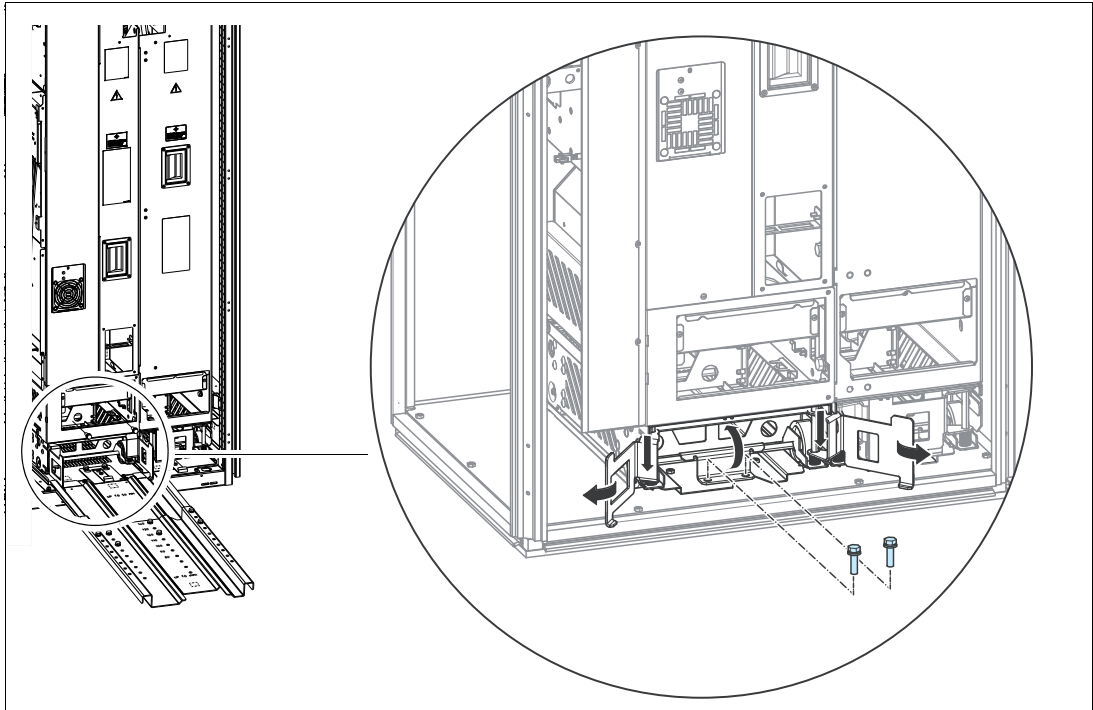


1. Stop the drive and do the steps in section *Electrical safety precautions (page 18)* before you start the work.
2. Remove the clear plastic shrouds on the power cables and parts in front of the drive module (if present).
3. Disconnect the power cables.
4. Disconnect the cables between the drive module and the control unit. See section *Connecting the external control unit to the drive module (page 107)*.
5. Disconnect the cooling fan power supply cable from the LCL filter module. Pull the cable inside the drive module.

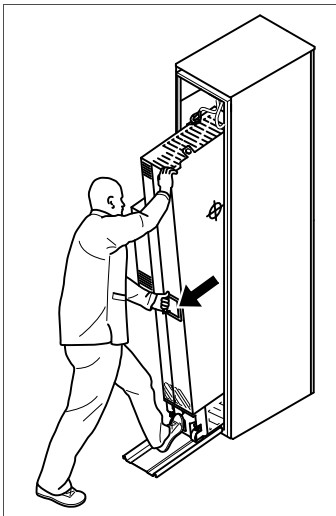


6. Remove the screws that attach the drive module to the cabinet at the top and behind the front support legs.
7. Remove the screws that connect the drive module to the LCL filter module from top and at the side.
8. To prevent the drive module from falling, attach its top lifting lugs with chains to the cabinet frame.
9. To open the support legs 90 degrees, press each leg a little down and turn it aside.

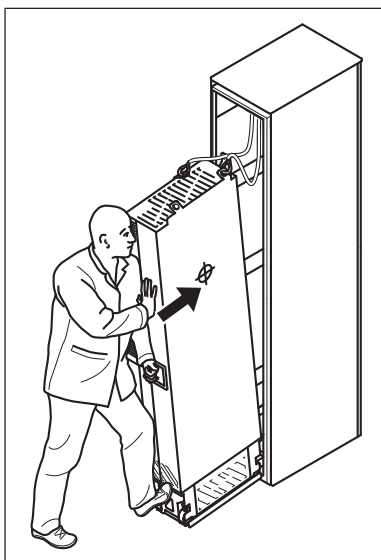
10. Adjust the extraction/installation ramp to the correct height and attach it to the cabinet base with the two mounting screws.



11. Pull the drive module carefully out of the cabinet preferably with help from another person.



12. Install the new module in reverse order.



## Replacing the LCL filter module

Replace the LCL filter module in the same way as the drive module.

## Replacing the drive module with option +H381



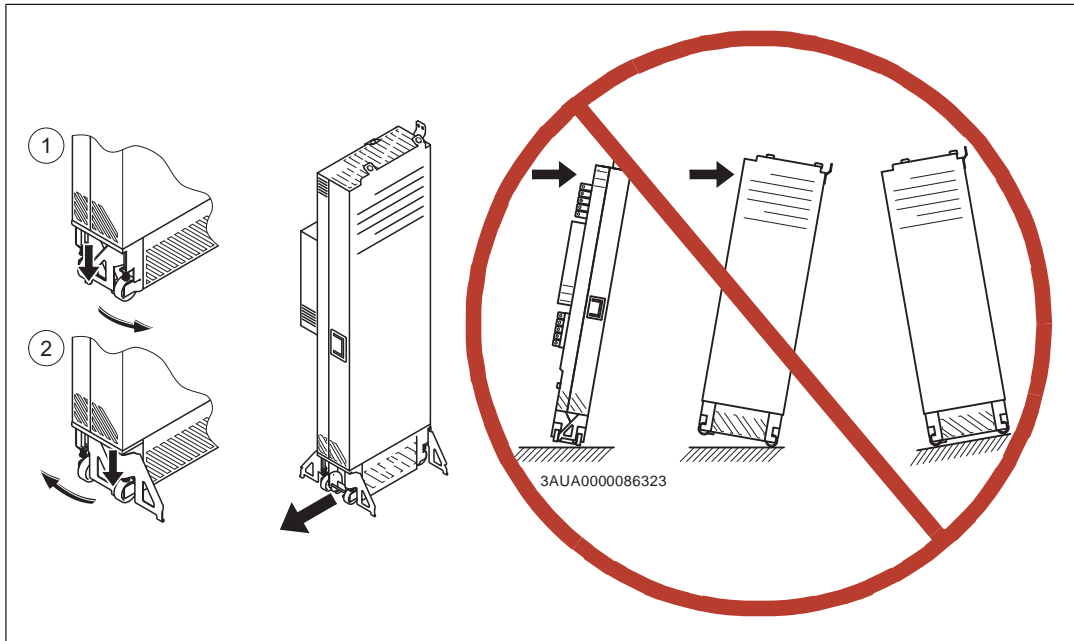
### **WARNING!**

Obey the safety instructions of the drive. If you ignore them, injury or death, or damage to the equipment can occur.

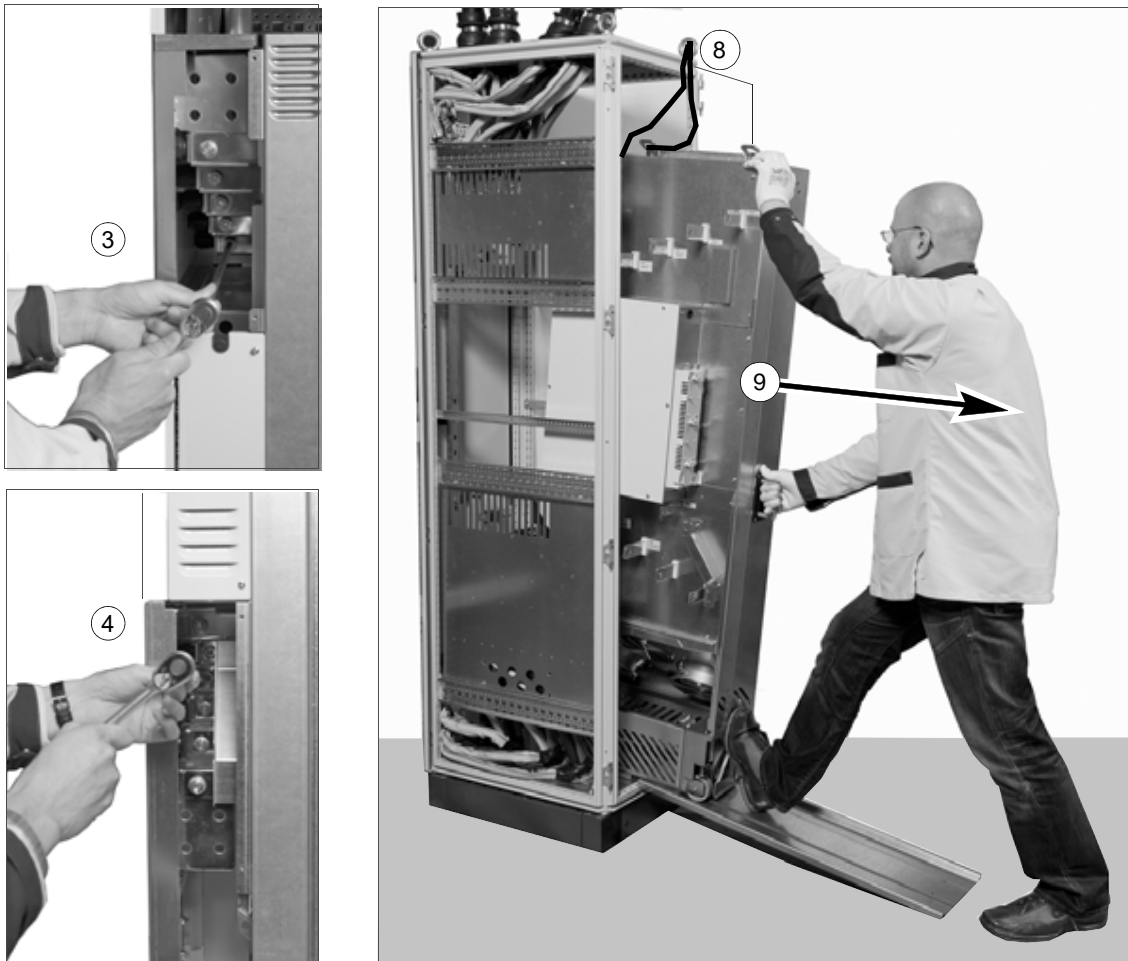
Handle the drive module carefully:

- Use safety shoes with a metal toe cap to prevent foot injury.
- Lift the drive module only by the lifting lugs.

- Make sure that the module does not topple over when you move it on the floor:  
To open the support legs, press each leg a little down and turn it aside (1, 2). Whenever possible secure the module also with chains.
- Do not tilt the drive module. It is heavy and its center of gravity is high. The module overturns from a sideways tilt of 5 degrees. Do not leave the module unattended on a sloping floor



1. Stop the drive and do the steps in section [Electrical safety precautions \(page 18\)](#) before you start the work.
2. To remove the left-hand side upper and lower front covers of the drive module, undo the fastening screws. M4×10 combi screws, 2 N·m (18 lbf·in).
3. Disconnect the drive module busbars from the input cabling panel. Combi screw M12, 70 N·m (52 lbf·ft).
4. Disconnect the drive module busbars from the output cabling panel. Combi screw M12, 70 N·m (52 lbf·ft).
5. Remove the front air baffle.
6. See [Step-by-step drawings for an installation example of standard drive configuration in Rittal VX25 800 mm wide enclosure \(page 245\)](#):
  - Disconnect the drive module from the LCL filter module.
  - Undo the screws that attach the drive module to the enclosure frame.
  - Attach the extraction ramp to the enclosure base with two screws.
7. Disconnect the power supply cable and the fiber optic cables from the external control unit and coil them on the top of the drive module.
8. To prevent the drive module from falling, attach its top lifting lugs with chains to the enclosure frame.
9. Pull the drive module carefully out of the enclosure preferably with help from another person.
10. Install the new module in reverse order.



## Replacing the LCL filter module with option +H381

See [Step-by-step drawings for an installation example of standard drive configuration in Rittal VX25 800 mm wide enclosure \(page 245\)](#):

1. Disconnect the LCL filter module from the drive module.
2. Undo the screws that attach the LCL filter module to the enclosure frame.
3. Attach the extraction ramp to the enclosure base with two screws.
4. To prevent the LCL filter module from falling, attach its top lifting lugs with chains to the enclosure frame.
5. Pull the LCL filter module carefully out of the enclosure preferably with help from another person.
6. Install the new module in reverse order.



## Capacitors

The DC link of the drive contains several electrolytic capacitors. Operating time, load, and surrounding air temperature have an effect on the life of the capacitors. Capacitor life can be extended by decreasing the surrounding air temperature.

Capacitor failure is usually followed by damage to the unit and an input cable fuse failure, or a fault trip. If you think that any capacitors in the drive have failed, contact ABB.

### ■ Reforming the capacitors

The capacitors must be reformed if the drive has not been powered (either in storage or unused) for a year or more. The manufacturing date is on the type designation label. For information on reforming the capacitors, see *Capacitor reforming instructions* ([3BFE64059629](https://library.abb.com/en) [English]) in the ABB Library (<https://library.abb.com/en>).

## Control panel

For detailed information on the control panel, see *ACx-AP-x assistant control panels user's manual* ([3AUA0000085685](https://library.abb.com/en) [English]).

### ■ Cleaning the control panel

Use a soft damp cloth to clean the control panel. Avoid harsh cleaners which could scratch the display window.

### ■ Replacing the battery

The instructions below describe how to replace the battery that powers the real-time clock of the control panel.

1. Turn the lid on the back of the control panel counter-clockwise until the lid opens.
  2. Remove the battery gently.
  3. Replace the battery with a new CR2032 battery. The battery holder has grip nails. First slide the battery and then press on the other side. The battery will snap in.
  4. Make sure that the battery polarity shows positive on the upside.
  5. Put the lid back and tighten it by turning it clockwise.
  6. Dispose of the old battery according to local disposal rules or applicable laws.
-



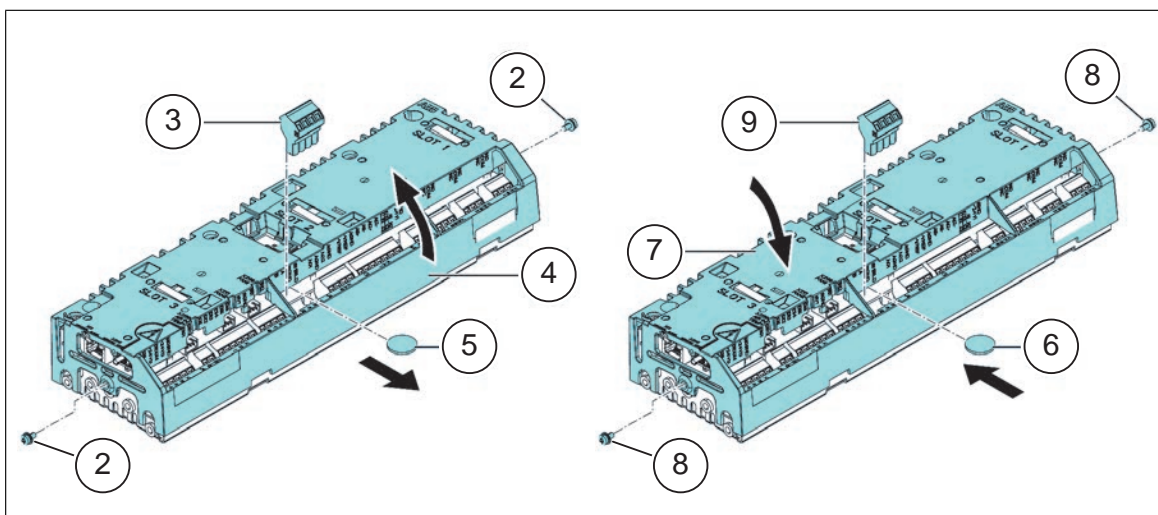
## Replacing the ZCU-14 control unit battery



### WARNING!

Obey the safety instructions of the drive. If you ignore them, injury or death, or damage to the equipment can occur. If you are not a qualified electrical professional, do not do installation or maintenance work.

1. Stop the drive and do the steps in section [Electrical safety precautions \(page 18\)](#) before you start the work.
2. Remove the M4×8 (T20) screws at the ends of the control unit.
3. To see the battery, remove the XD2D terminal block.
4. Carefully lift the edge of the control unit cover on the side with the I/O terminal blocks.
5. Carefully pull the battery out of the battery holder.
6. Carefully put a new CR2032 battery into the battery holder.
7. Close the control unit cover.
8. Tighten the M4×8 (T20) screws.
9. Install the XD2D terminal block.



## Replacing the ZCU-12 control unit battery

Contact ABB service center for instructions on how to replace the control unit battery.

## Memory unit

When a drive module is replaced, the parameter settings can be retained by transferring the memory unit from the defective drive module to the new module. One memory unit is located in the external control unit, see [Overview of power and control connections](#), another on the line-side converter control unit.

### ■ Replacing the memory unit of ZCU-14

After replacing a control unit, you can retain the existing parameter settings by transferring the memory unit from the defective control unit to the new control unit. After power-up, the drive will scan the memory unit. This can take several minutes.



#### **WARNING!**

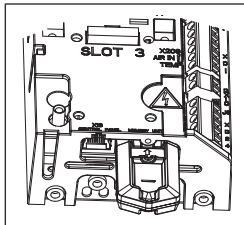
Do not remove or insert the memory unit when the control unit is powered.



#### **WARNING!**

Obey the safety instructions of the drive. If you ignore them, injury or death, or damage to the equipment can occur.

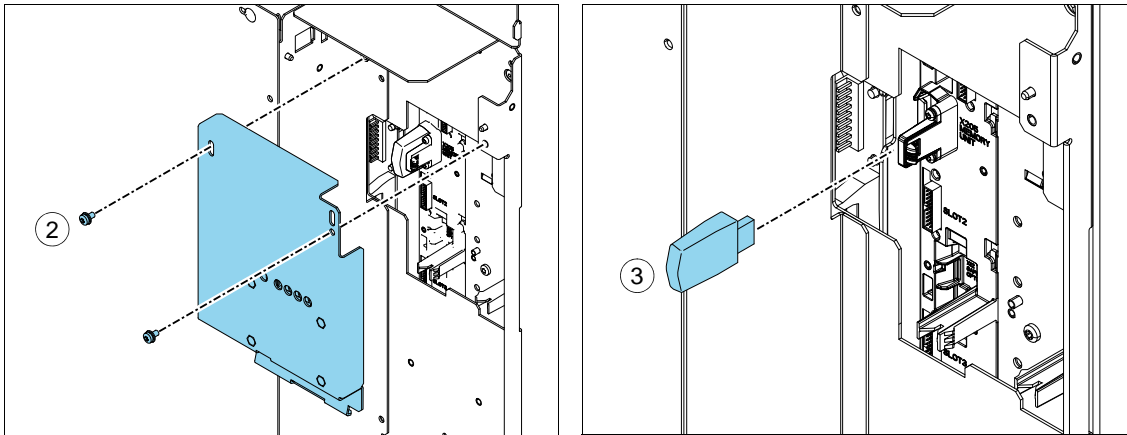
1. Stop the drive and do the steps in section [Electrical safety precautions \(page 18\)](#) before you start the work.
2. Pull the clip of the memory unit forward.



3. Take the unit off.
4. Replace the unit in reverse order.

### ■ Replacing the memory unit of the line-side converter control unit (ZCU-12)

1. Stop the drive and do the steps in section [Electrical safety precautions \(page 18\)](#) before you start the work.
2. Remove the cover on the memory unit.
3. Pull the memory unit out.
4. Install the new memory unit in reverse order.



## Functional safety components

The mission time of functional safety components is 20 years which equals the time during which failure rates of electronic components remain constant. This applies to the components of the standard Safe torque off circuit as well as any modules, relays and, typically, any other components that are part of functional safety circuits.

The expiry of mission time terminates the certification and SIL/PL classification of the safety function. The following options exist:

- Renewal of the whole drive and all optional functional safety module(s) and components.
- Renewal of the components in the safety function circuit. In practice, this is economical only with larger drives that have replaceable circuit boards and other components such as relays.

Note that some of the components may already have been renewed earlier, restarting their mission time. The remaining mission time of the whole circuit is however determined by its oldest component.

Contact your local ABB service representative for more information.

# 16

## Ordering information



---

### Contents of this chapter

This chapter gives ordering information on additional components available from ABB for the drive module installation.

**Note:** This chapter only lists the installation accessories available from ABB. All other parts must be sourced from a third party by the system integrator.

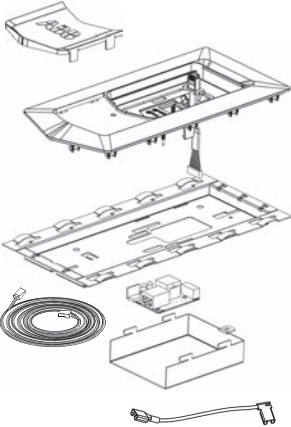
### ACS-AP-W and ACS-AP-I control panel

Type	Description	Ordering code	Illustration
ACS-AP-W	Control panel with Bluetooth	3AXD50000025965	
ACS-AP-I	Control panel	3AUA0000088311	

### Control panel mounting platforms

The control panel can be mounted on the cabinet door with the help of a door mounting kit.

---

Type	Description	Ordering code	Illustration
DPMP-01	Door mounting kit for flush mounting. Includes a control panel mounting platform, an IP54 cover and a 3- meter panel connection cable.	3AUA0000108878	
DPMP-04	Control panel mounting platform	3AXD50000217717	

## Brake choppers and resistors

See section *Resistor braking*.

## Output (du/dt) filters

See section *du/dt filters (page 243)*.

## Sine filters

See section *Sine filters (page 244)*.

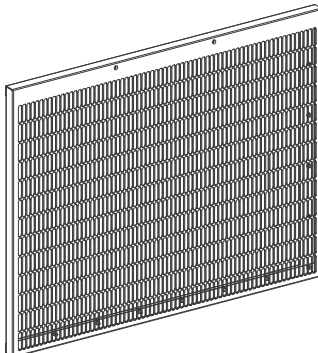
## EMC filter ARFI-10

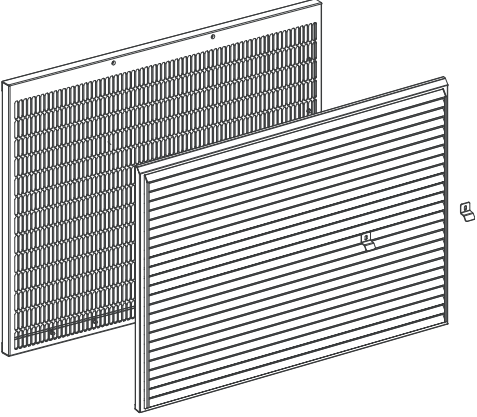
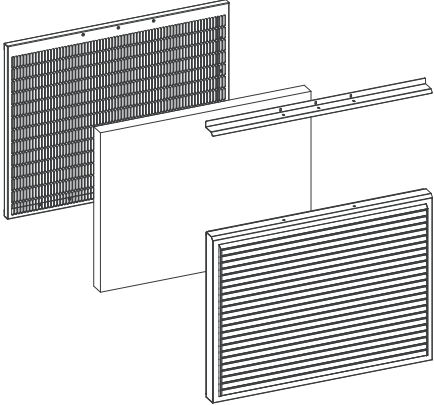
Ordering code: 68241561

## Cabinet ventilation

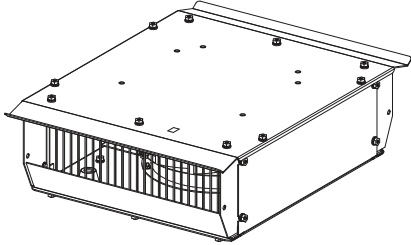
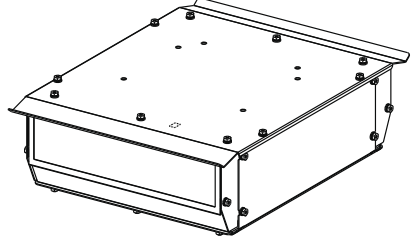
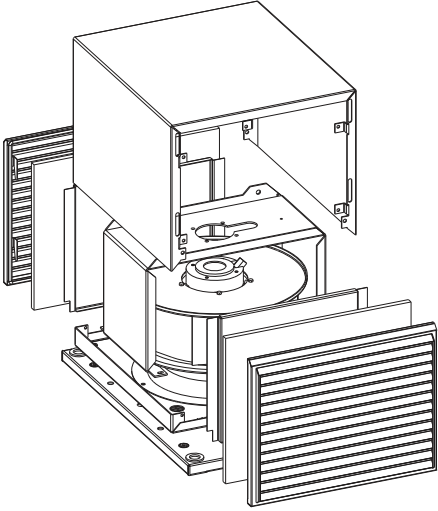
### ■ Air inlet kits

Mounting screws are included.

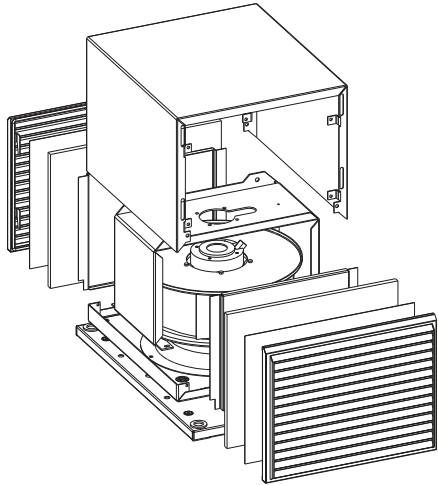
Enclosure width / Degree of protection	Kit code	Ordering code	Illustration
800 mm / IP20	A-8-X-023	3AUA0000117005	 <p>Instruction code: 3AUA0000116887</p>

Enclosure width / Degree of protection	Kit code	Ordering code	Illustration
800 mm / IP42	A-8-X-026	3AUA0000117009	 <p data-bbox="999 759 1382 786">Instruction code: 3AUA0000116875</p>
800 mm / IP54	A-8-X-029	3AXD50000009186	 <p data-bbox="991 1245 1390 1272">Instruction code: 3AXD50000010001</p>

■ Air outlet kits

Enclosure width / Degree of protection	Qty	Kit code	Ordering code	Illustration
800 mm / IP20	2	A-4-X-062	3AUA0000125201	 <p data-bbox="868 651 1262 680">Instruction code: 3AXD50000001982</p> <p data-bbox="874 696 1256 725"><b>Note:</b> Fan to be ordered separately</p>
800 mm / IP42	2	A-4-X-060	3AUA0000114967	 <p data-bbox="874 1010 1256 1039">Instruction code: 3AUA0000115290</p> <p data-bbox="874 1055 1256 1084"><b>Note:</b> Fan to be ordered separately</p>
800 mm / IP54 (IEC)	2	A-4-X-064	3AXD50000009187	 <p data-bbox="868 1630 1262 1659">Instruction code: 3AXD50000010284</p> <p data-bbox="874 1675 1256 1704"><b>Note:</b> Fan to be ordered separately</p>



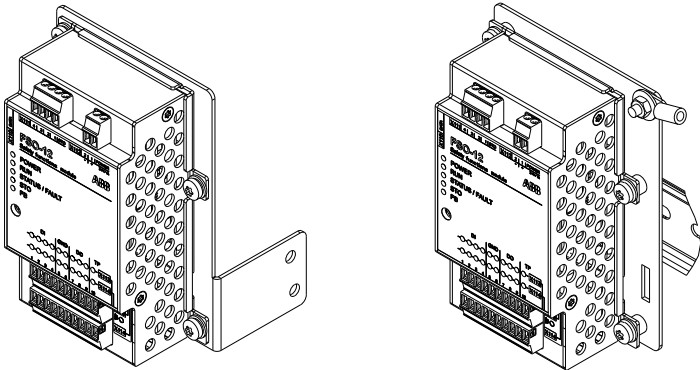
Enclosure width / Degree of protection	Qty	Kit code	Ordering code	Illustration
800 mm / IP54 (UL)	2	A-4-X-067	3AXD50000010362	 <p>Instruction code: 3AXD50000010284</p> <p><b>Note:</b> Fan to be ordered separately</p>

## Cooling fans

Two cooling fans must be installed inside the air outlet compartment to ensure sufficient cooling of the cabinet.

Enclosure width / Degree of protection	Component		Qty	Ordering code
	Name	Data		
800 mm / IP20, IP42	Fan	R2E225-RA92-17 (230 V)	2	3AXD50000000514
	Capacitor	MSB MKP 3,5/603/E1679	2	3AXD50000000882
	Connector	SPB2,5/7 (2.5 mm <sup>2</sup> , 12AWG)	2	3AXD50000000723
	Connector	SC 2,5-RZ/7 (2.5 mm <sup>2</sup> , 12AWG)	2	3AXD50000000724
800 mm / IP54	Fan	RB4C-355/170	2	3AXD50000006934
	Capacitor	MSB MKP 6/603/E1679	2	3AXD50000006959
	Connector	SPB2,5/7 (2.5 mm <sup>2</sup> , 12AWG)	2	3AXD50000000723
	Connector	SC 2,5-RZ/7 (2.5 mm <sup>2</sup> , 12AWG)	2	3AXD50000000724

## F50 accessories kit

Kit code	Ordering code	Illustration
A-X-X-279	3AXD50000025495	 <p data-bbox="727 790 1123 815">Instruction code: 3AXD50000025583</p>

## Control panel mounting platforms

Kit	Ordering code
DPMP-04 control panel mounting platform	3AXD50000217717

## Retrofit accessory kits

Kit	Option code	Ordering code
Common mode filter kit	+E208	3AXD50000026145
Full size cable connection terminals for input power cables	+H370	3AXD50000019542
Full size cable connection terminals for output power cables	1)	3AXD50000019544
For frame R11: IP20 shrouds for covering the input and motor cabling area	2)	3AXD50000019538

1) The drive module is delivered with full size cable connection terminals for output power cables as standard. They can be excluded with option +OH371.

2) The drive module is delivered with IP20 shrouds for covering the input and motor cabling area as standard. The shrouds can be excluded with option +OB051.

# 17

## Technical data

### Contents of this chapter

This chapter contains the technical specifications of the drive, for example, the ratings, sizes and technical requirements, provisions for fulfilling the requirements for CE and other markings.

### Ratings

The nominal rating for the drive modules with 50 Hz and 60 Hz supply are given below.

IEC RATINGS											
ACS880-34-...	Frame size	Input current	Output ratings								
			Nominal use				Light-duty use		Heavy-duty use		
			$I_1$	$I_{max}$	$I_2$	$P_n$	$S_n$	$I_{Ld}$	$P_{Ld}$	$I_{Hd}$	$P_{Hd}$
			A	A	A	kW	kVA	A	kW	A	kW
$U_n = 400\text{ V}$											
246A-3	R11	212	350	246	132	170	234	132	206	110	
293A-3	R11	257	418	293	160	203	278	160	246	132	
363A-3	R11	321	498	363	200	251	345	200	293	160	
442A-3	R11	401	621	442	250	306	420	250	363	200	
505A-3	R11	401	631	505	250	350	480	250	363	200	
585A-3	R11	505	751	585	315	405	556	315	442	250	
650A-3	R11	569	859	650	355	450	618	355	505	250	
$U_n = 500\text{ V}$											
240A-5	R11	169	350	240	132	208	228	132	180	110	
260A-5	R11	205	418	260	160	225	247	160	240	132	

IEC RATINGS										
ACS880-34-...	Frame size	Input current	Output ratings							
			Nominal use				Light-duty use		Heavy-duty use	
			$I_1$	$I_{max}$	$I_2$	$P_n$	$S_n$	$I_{Ld}$	$P_{Ld}$	$I_{Hd}$
A	A	A	kW	kVA	A	kW	A	kW		
361A-5	R11	257	542	361	200	313	343	200	260	160
414A-5	R11	321	614	414	250	359	393	250	361	200
460A-5	R11	404	660	460	315	398	450	315	414	250
503A-5	R11	455	725	503	355	436	492	355	460	315
$U_n = 690 \text{ V}$										
142A-7	R11	123	250	142	132	170	135	132	119	110
174A-7	R11	149	274	174	160	208	165	160	142	132
210A-7	R11	186	384	210	200	251	200	200	174	160
271A-7	R11	232	411	271	250	324	257	250	210	200
330A-7	R11	293	480	330	315	394	320	315	271	250
370A-7	R11	330	520	370	355	442	360	355	330	315
430A-7	R11	375	520	430	400	514	420	400	370	355
3AXD00000588487										

UL (NEC) RATINGS								
ACS880-34-...	Frame size	Input current	Max. current	Output ratings				
				App. power	Light-duty use		Heavy-duty use	
					$S_n$	$I_{Ld}$	$P_{Ld}$	$I_{Hd}$
A	A	kVA	A	hp	A	hp		
$U_n = 480 \text{ V}$								
240A-5	R11	169	350	208	240	200	228	150
260A-5	R11	205	418	225	260	200	240	200
302A-5	R11	239	498	262	302	250	260	200
361A-5	R11	257	542	313	361	300	302	250
414A-5	R11	321	614	359	414	350	361	300
460A-5	R11	404	660	398	450	350	414	350
503A-5	R11	455	725	436	492	400	483	400
$U_n = 575 \text{ V}$								
142A-7	R11	123	250	170	144	150	125	125
174A-7	R11	149	274	208	168	175	144	150
210A-7	R11	186	384	251	192	200	168	175
271A-7	R11	232	411	324	242	250	192	200
330A-7	R11	293	480	394	289	300	242	250
370A-7	R11	330	520	442	336	350	289	300
430A-7	R11	375	520	514	412	450	336	350

$U_n$	Nominal voltage of the drive
-------	------------------------------

$I_1$	Nominal input current (rms) at 40 °C (104 °F)
$S_n$	Apparent power (no overload)
$I_{max}$	Maximum output current. Available for 10 seconds at start, otherwise as long as allowed by drive temperature. 140% ... 200% of $I_{Hd}$ , depending on power rating.
$I_2$	Continuous rms output current. No overload capability at 40 °C (104 °F). This is indicated in the type designation label as output current $I_2$ .
$P_n$	Typical motor power in no-overload use
$I_{Ld}$	Continuous rms output current allowing 10% overload for 1 minute every 5 minutes
$P_{Ld}$	Typical motor power for light-duty use
$I_{Hd}$	Continuous rms output current allowing 50% overload for 1 minute every 5 minutes
$P_{Hd}$	Typical motor power for heavy-duty use

**Note:** To achieve the rated motor power given in the table, the rated current of the drive must be higher than or equal to the rated motor current. The power ratings apply to most IEC 34 motors at the nominal voltage of the drive.

ABB recommends to select the drive, motor and gear combination for the required motion profile with the DriveSize dimensioning tool available from ABB.

■ **When is derating necessary**

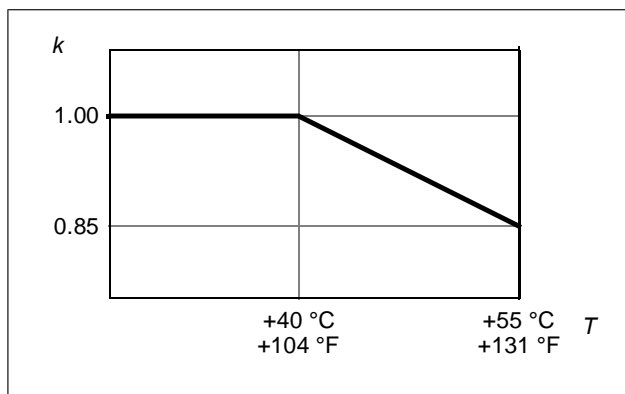
Derate the continuous output current of the drive if

- ambient temperature exceeds +40 °C (+104 °F) or
- drive is installed higher than 1000 m (3280 ft) above sea level
- switching frequency is other than default
- the minimum requirements of motor cable length are not met (see chapter du/dt filters and sine filters)
- DC voltage boost feature is used.

**Note:** The final derating factor is a multiplication of all applicable derating factors.

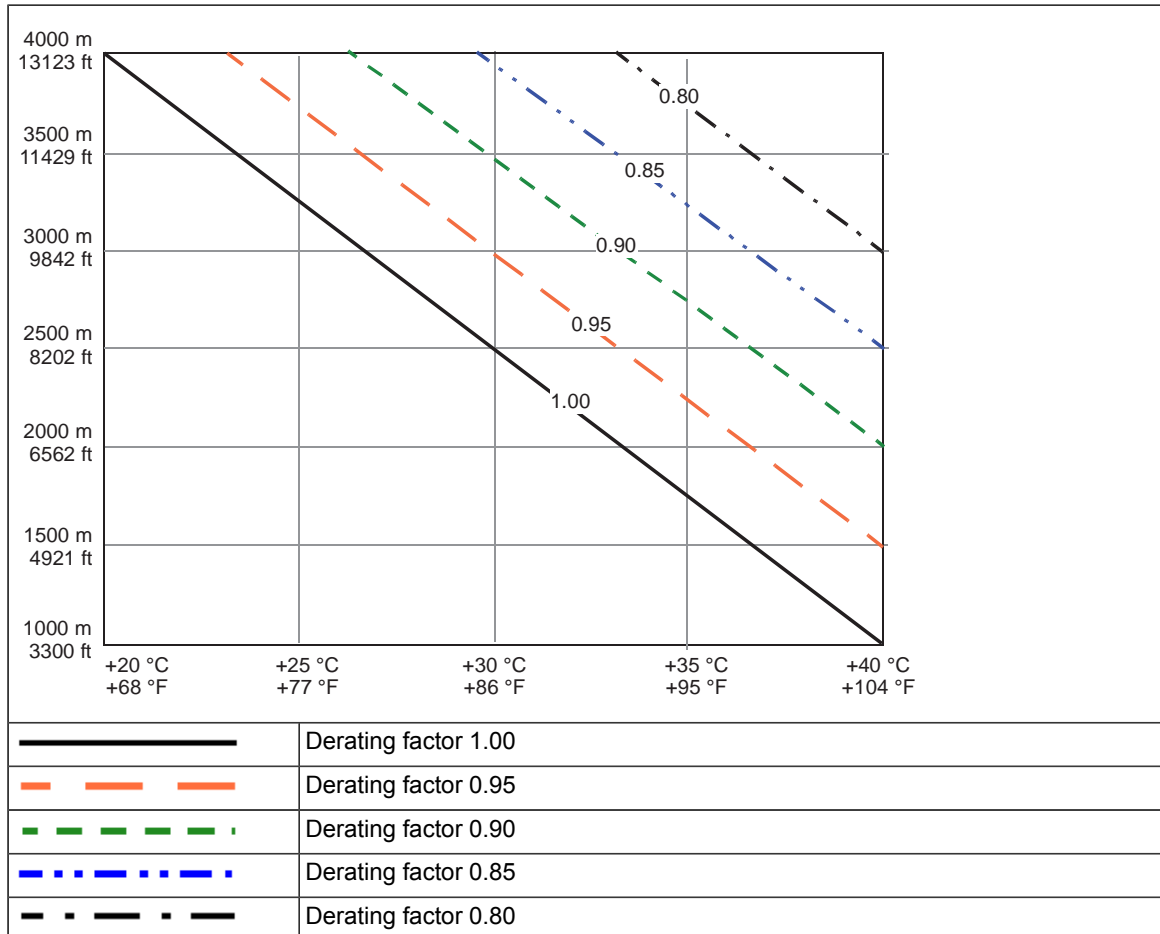
■ **Surrounding air temperature derating**

In the temperature range +40...55 °C (+104...131 °F), the rated output current is derated by 1% for every added 1 °C (1.8 °F) as follows. Calculate the output current by multiplying the current given in the rating table by the derating factor.



### ■ Altitude derating

At altitudes from 1000 to 4000 m (3300 to 13123 ft) above sea level, the derating is 1% for every 100 m (328 ft). If ambient temperature is below +40 °C (+104 °F), the derating can be reduced by 1.5% for every 1 °C reduction in temperature. For a more accurate derating, use the DriveSize PC tool. A few altitude derating curves are shown below.



### ■ Deratings for special settings in the drive control program

Enabling special settings in the drive control program can require output current derating.

#### Ex motor, sine filter, low noise

Table below gives the deratings for these cases:

- drive is used with an ABB motor for explosive atmospheres (Ex) and **EX motor** in parameter *95.15 Special HW settings* is enabled
- sine filter given in the selection table (see section *Sine filters*) is used and **ABB sine filter** in parameter *95.15 Special HW settings* is enabled
- **Low noise optimization** is selected in parameter *97.09 Switching freq mode*.

With other than recommended sine filters (see section [Sine filters \(page 244\)](#)) and non-ABB Ex motors, contact ABB.

ACS880-34-...	Output ratings for special settings											
	Ex motor (ABB Ex motor)				ABB sine filter				Low noise mode			
	Nominal use		Light-duty use	Heavy-duty use	Nominal use		Light-duty use	Heavy-duty use	Nominal use		Light-duty use	Heavy-duty use
	$I_n$	$P_n$	$I_{Ld}$	$I_{Hd}$	$I_n$	$P_n$	$I_{Ld}$	$I_{Hd}$	$I_n$	$P_n$	$I_{Ld}$	$I_{Hd}$
	A	kW	A	A	A	kW	A	A	A	kW	A	A
$U_n = 400\text{ V}$												
246A-3	234	132	222	196	221	132	210	185	217	132	204	180
293A-3	278	160	264	234	264	160	251	221	258	160	243	215
363A-3	345	200	328	278	327	200	310	264	320	200	301	256
442A-3	420	250	399	345	398	250	378	327	390	250	367	317
505A-3	480	315	456	345	455	250	432	327	445	250	419	317
585A-3	556	315	528	420	527	315	500	398	516	315	485	386
650A-3	618	355	587	480	585	355	556	455	573	315	539	441
$U_n = 460\text{ V}$												
302A-5	287	250 hp	287	247	272	250 hp	272	234	266	250 hp	264	277
$U_n = 500\text{ V}$												
240A-5	228	132	217	171	216	132	205	162	212	132	199	157
260A-5	247	160	235	228	234	160	222	216	229	160	216	210
361A-5	343	200	326	247	325	200	309	234	318	200	300	227
414A-5	393	250	373	343	373	250	354	325	365	250	343	315
460A-5	437	315	428	393	414	315	405	373	406	250	393	362
503A-5	478	355	467	437	453	315	443	414	443	315	430	402
$U_n = 690\text{ V}$												
142A-7	125	132	119	105	128	132	122	107	66	75	63	55
174A-7	153	160	145	125	157	160	149	128	81	90	77	66
210A-7	185	200	176	153	189	200	180	157	98	110	93	81
271A-7	238	250	226	185	244	250	231	189	126	132	119	98
330A-7	290	315	282	238	297	315	288	244	154	160	149	126
370A-7	326	355	317	290	333	355	324	297	172	200	167	153
430A-7	378	400	370	326	387	400	378	333	200	200	195	172

$U_n$	Nominal voltage of the drive
$I_n$	Continuous rms output current. No overload capability at 40 °C (104 °F)
$P_n$	Typical motor power in no-overload use
$I_{Ld}$	Continuous rms output current allowing 10% overload for 1 minute every 5 minutes
$P_{Ld}$	Typical motor power for light-duty use
$I_{Hd}$	Continuous rms output current allowing 50% overload for 1 minute every 5 minutes

## High speed mode

The selection **High speed mode** of parameter *95.15 Special HW settings* improves control performance at high output frequencies. ABB recommends it to be selected with output frequency of 120 Hz and above.

This table gives the drive module ratings for 120 Hz output frequency and the maximum output frequency for the drive ratings when **High speed mode** in parameter *95.15 Special HW settings* is enabled: With output frequencies smaller than this recommended maximum output frequency, the current derating is less than the values given in the table. Contact ABB for operation above the recommended maximum output frequency or for the output current derating with output frequencies above 120 Hz and below the maximum output frequency.

ACS880-34-	Deratings with selection High speed mode of parameter <i>95.15 Special HW settings</i>									
	120 Hz output frequency					Maximum output frequency				
	Fre- quency	Nominal use		Light- duty use	Heavy- duty use	Maxim- um fre- quency	Nominal use		Light- duty use	Heavy- duty use
	$f$	$I_n$	$P_n$	$I_{Ld}$	$I_{Hd}$	$f_{max}$	$I_n$	$P_n$	$I_{Ld}$	$I_{Hd}$
	Hz	A	kW	A	A	Hz	A	kW	A	A
$U_n = 400\text{ V}$										
246A-3	120	246	132	234	206	500	201	110	193	170
293A-3	120	293	160	278	246	500	240	132	229	203
363A-3	120	363	200	345	293	500	297	200	284	241
442A-3	120	442	250	420	363	500	362	250	346	299
505A-3	120	505	250	480	363	500	413	250	395	299
582A-3	120	585	315	556	442	500	479	315	458	364
650A-3	120	650	355	618	505	500	532	315	509	416
$U_n = 460\text{ V}$										
302A-5	120	302	250 (hp)	302	260	500	247	200 (hp)	249	214
$U_n = 500\text{ V}$										
240A-5	120	240	132	228	180	500	196	132	188	148
260A-5	120	260	160	247	240	500	213	160	203	198
361A-5	120	361	200	343	260	500	295	250	283	214
414A-5	120	414	250	393	361	500	339	250	324	297
460A-5	120	460	315	450	414	500	376	315	371	341
503A-5	120	503	355	492	460	500	412	315	405	379
$U_n = 690\text{ V}$										
142A-7	120	142	132	135	119	500	82	75	78	68
174A-7	120	174	160	165	142	500	100	110	95	82
210A-7	120	210	200	200	174	500	121	132	115	100
271A-7	120	271	250	257	210	500	156	160	148	121
330A-7	120	330	315	320	271	500	190	200	184	156
370A-7	120	370	355	360	330	500	213	250	207	190
430A-7	120	430	400	420	370	500	247	250	241	213
3AXD00000588487										



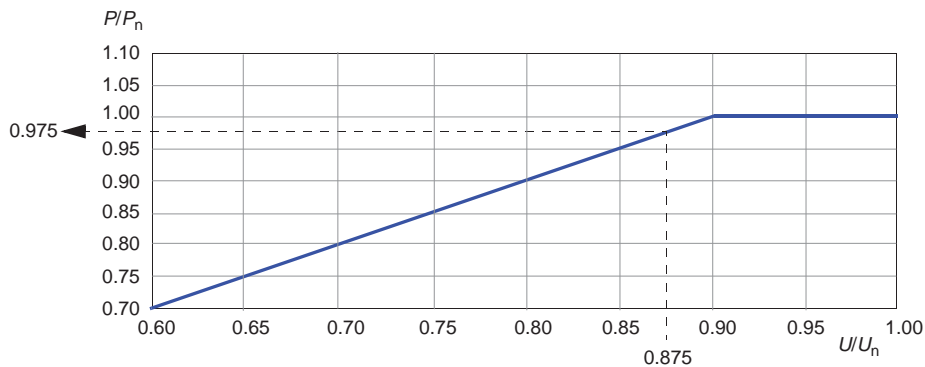
$f$	Output frequency
$f_{max}$	Maximum output frequency with High speed mode
$U_n$	Nominal voltage of the drive
$I_n$	Continuous rms output current. No overload capability at 40 °C (104 °F).
$P_n$	Typical motor power in no-overload use
$I_{Ld}$	Continuous rms output current allowing 10% overload for 1 minute every 5 minutes
$I_{Hd}$	Continuous rms output current allowing 50% overload for 1 minute every 5 minutes

■ **Derating for output voltage boosting**

The drive can output a higher motor voltage than the supply voltage. This can require derating of the drive output power depending on the difference between the supply voltage and the output voltage to the motor for continuous operation.

**400 V and 500 V drive types**

This drawing shows the required derating for -3 and -5 (400 V and 500 V) drive types.



Example 1:  $P_n$  for ACS880-34-650A-3 is 355 kW. The input voltage ( $U$ ) is 350 V.  $\rightarrow U/U_n = 350 \text{ V} / 400 \text{ V} = 0.875$ .  $\rightarrow P/P_n = 0.975$   $\rightarrow$  The derated power  $P = 0.975 \times 355 \text{ kW} = 346 \text{ kW}$ .

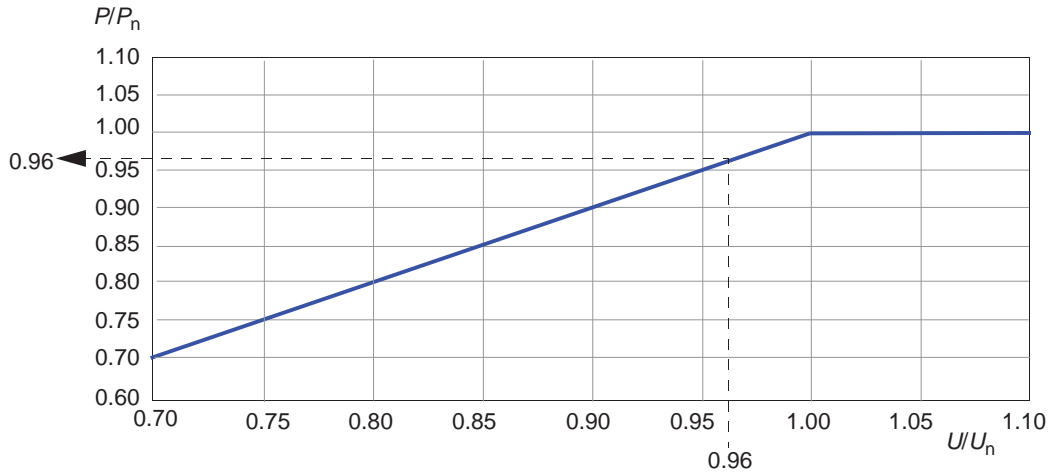
To boost the output voltage to correspond the nominal supply voltage 400 V, increase the DC voltage to  $400 \text{ V} \times \sqrt{2} \times 1.03 = 582.6 \text{ V}$ .

Example 2:  $P_n$  for ACS880-34-503A-5 is 355 kW. The input voltage ( $U$ ) is 450 V.  $\rightarrow U/U_n = 450 \text{ V} / 500 \text{ V} = 0.9$ .  $\rightarrow P/P_n = 1.00$   $\rightarrow$  The derated power  $P = 1.00 \times 355 \text{ kW} = 355 \text{ kW}$ .

To boost the output voltage to correspond the nominal supply voltage 500 V, increase the DC voltage to  $500 \text{ V} \times \sqrt{2} \times 1.03 = 728.3 \text{ V}$ .

**575 V and 690 V drives**

This drawing shows the required derating for -7 (575 V and 690 V) drive types.



**Example 1:**  $P_n$  for ACS880-34-430A-7 is 400 kW. The input voltage ( $U$ ) is 660 V.  $\rightarrow U/U_n = 660 \text{ V} / 690 \text{ V} = 0.96 \rightarrow P/P_n = 0.96 \rightarrow$  The derated power  $P = 0.96 \times 400 \text{ kW} = 384 \text{ kW}$ .

To boost the output voltage to correspond the nominal supply voltage 690 V, increase the DC voltage to  $690 \text{ V} \times \sqrt{2} \times 1.03 = 1005 \text{ V}$ .

$U$	Input voltage of the drive
$U_n$	Nominal supply voltage of the drive. For -3 types $U_n = 400 \text{ V}$ , for -5 types $U_n = 500 \text{ V}$ . For -7 types $U_n = 690 \text{ V}$ but 575 V when $P_n$ refers to nominal power ratings in the UL (NEC) 575 V rating table.
$P$	Derated output power of the drive
$P_n$	Nominal power rating of the drive

For more information, see ACS880-11, ACS880-31, ACS880-14, ACS880-34, ACS880-17, ACS880-37 drives product note on voltage boost ([3AXD50000691838](#) [English]).

## Fuses (IEC)

aR fuses by Cooper Bussmann for protection against short-circuit in the input power cable of drive are listed below.

Ultrarapid (aR) fuses per drive module						
ACS880-34-...	Input current (A)	Fuse				
		A	A <sup>2</sup> s	V	Type Flush End	Size
<i>U<sub>n</sub></i> = 400 V						
246A-3	212	400	74000	690	170M5408	2
293A-3	257	500	145000	690	170M5410	2
363A-3	321	630	210000	690	170M6410	3
442A-3	401	700	300000	690	170M6411	3
505A-3	401	800	465000	690	170M6412	3
585A-3	505	1000	945000	690	170M6414	3
650A-3	569	1000	945000	690	170M6414	3
<i>U<sub>n</sub></i> = 500 V						
240A-5	169	315	42000	690	170M4410	1
260A-5	205	400	74000	690	170M5408	2
361A-5	257	630	210000	690	170M6410	3
414A-5	321	700	300000	690	170M6411	3
460A-5	404	700	300000	690	170M6411	3
503A-5	455	800	465000	690	170M6412	3
<i>U<sub>n</sub></i> = 690 V						
142A-7	123	250	21000	690	170M4409	1
174A-7	149	315	42000	690	170M4410	1
210A-7	186	400	74000	690	170M5408	2
271A-7	232	500	145000	690	170M5410	2
330A-7	293	630	210000	690	170M6410	3
370A-7	330	700	300000	690	170M6411	3
430A-7	375	700	300000	690	170M6411	3

### Note:

- See also sections:
  - [Protecting the drive and the input power cable in short-circuits \(page 91\)](#)
  - [Protecting the drive against thermal overload \(page 91\)](#)
  - [Protecting the input power cable against thermal overload \(page 91\).](#)
- In multicable installations, install only one fuse per phase (not one fuse per conductor).
- Fuses with higher current rating than the recommended ones must not be used. Fuses with lower current rating can be used.
- Fuses from other manufacturers can be used if they agree with the ratings and the melting curve of the fuse does not exceed the melting curve of the fuse mentioned in the table.

## Fuses (UL)

UL fuses by Cooper Bussman for branch circuit protection per NEC per drive module are listed below. Obey local regulations.

ACS880-34-...	Input current (A)	Fuse					
		A	V	Type DIN 43653	Type US Style	Type French Style	Size
$U_n = 500 \text{ V}$							
240A-5	169	315	690	170M4010	170M4610	170M4310	1
260A-5	205	400	690	170M5008	170M5608	170M5308	2
302A-5	249	500	690	170M5010	170M5610	170M5310	2
361A-5	257	630	690	170M6010	170M6610	170M6310	3
414A-5	321	700	690	170M6011	170M6611	170M6311	3
460A-5	404	700	690	170M6011	170M6611	170M6311	3
503A-5	455	800	690	170M6012	170M6612	170M6212	3
$U_n = 690 \text{ V}$							
142A-7	123	250	690	170M4009	170M4609	170M4309	1
174A-7	149	315	690	170M4010	170M4610	170M4310	1
210A-7	186	400	690	170M5008	170M5608	170M5308	2
271A-7	232	500	690	170M5010	170M5610	170M5310	2
330A-7	293	630	690	170M6010	170M6610	170M6310	3
370A-7	330	700	690	170M6011	170M6611	170M6311	3
430A-7	375	700	690	170M6011	170M6611	170M6311	3

### Note:

- See also sections:
  - *Protecting the drive and the input power cable in short-circuits (page 91)*
  - *Protecting the drive against thermal overload (page 91)*
  - *Protecting the input power cable against thermal overload (page 91).*
- In multicable installations, install only one fuse per phase (not one fuse per conductor).
- Fuses with higher current rating than the recommended ones must not be used. Fuses with lower current rating can be used.
- Alternative fuses can be used if they meet certain characteristics. For acceptable fuses, see the technical note ([3AXD50000645015](#)).

## Circuit breakers (UL)

**Note:** Circuit breakers must not be used without fuses. For suitable circuit breakers, contact your local ABB representative.

### Dimensions, weights and free space requirements

Standard drive module configuration drive module + LCL filter module)								
Frame size	Height		Width		Depth		Weight*	
	mm	in	mm	in	mm	in	kg	lb
R11	1741	68.5	713	28.1	512	20.2	365	805

Optional selection +0B051+0H371 (without shrouds and full-size output power cable connection terminals)								
Frame size	Height		Width		Depth		Weight*	
	mm	in	mm	in	mm	in	kg	lb
R11	1462	57.6	305	12.0	506	19.9	161	355

Optional selection +H381 (full power cabling panels)								
Frame size	Height		Width		Depth		Weight*	
	mm	in	mm	in	mm	in	kg	lb
R11	1590	62.62	329	12.9	516	20.3	196	432

\*approximate (depends on the selected options)

Weight of the LCL filter module: 180 kg (396 lb)

Weight of the cabling panels of option +H381: 30 kg (66 lb)

Weight of optional selections										
Frame size	+E208		+H356		+0H371		+H370		+0B051	
	kg	lb	kg	lb	kg	lb	kg	lb	kg	lb
R11	3	7	2	4	-2.9	-6	2.9	6	-1.5	-3

Weight of optional selections										
Frame size	+E208		+H356		+0H371		+H370		+0B051	
	kg	lb	kg	lb	kg	lb	kg	lb	kg	lb
R11	3	7	2	4	-2.9	-6	2.9	6	-1.5	-3

For requirements of free space around the drive module, see [Required free space \(page 62\)](#).

## Losses, cooling data and noise

The air flow direction is from bottom to top.

This table shows typical heat loss values, required air flow and noise at the nominal ratings of the drive. The heat loss values can vary depending on voltage, cable conditions, motor efficiency and power factor. To obtain more accurate values for given conditions, use ABB DriveSize tool (<http://new.abb.com/drives/software-tools/drivesize>).

ACS880-34-	Frame size	Air flow		Heat dissipation	Noise
		m <sup>3</sup> /h	ft <sup>3</sup> /min	W	dB(A)
<i>U<sub>n</sub></i> = 400 V					
246A-3	R11	2100	1279	5280	75
293A-3	R11	2100	1279	6400	75
363A-3	R11	2100	1279	8000	75
442A-3	R11	2100	1279	10000	75
505A-3	R11	2100	1279	10000	75
585A-3	R11	2100	1279	12600	75
650A-3	R11	2100	1279	14200	75
<i>U<sub>n</sub></i> = 500 V					
240A-5	R11	2100	1279	5280	75
260A-5	R11	2100	1279	6400	75
302A-5	R11	2100	1279	8000	75
361A-5	R11	2100	1279	8000	75
414A-5	R11	2100	1279	10000	75
460A-5	R11	2100	1279	12600	75
503A-5	R11	2100	1279	14200	75
<i>U<sub>n</sub></i> = 690 V					
142A-7	R11	2100	1279	5280	75
174A-7	R11	2100	1279	6400	75
210A-7	R11	2100	1279	8000	75
271A-7	R11	2100	1279	10000	75
330A-7	R11	2100	1279	12600	75
370A-7	R11	2100	1279	14200	75
430A-7	R11	2100	1279	16000	75

The cooling air temperature rises 30 °C when it goes through the drive module if the temperature of the input cooling air is 40 °C.

## Typical power cable sizes

The table below gives copper and aluminum cable types with concentric copper shield for the drives with nominal current. See also section *Terminal and entry data for the power cables* (page 191).

IEC <sup>1)</sup>			US <sup>2)</sup>	
ACS880-34-...	Cu cable type	Al cable type	Cu cable type	Al cable type
	mm <sup>2</sup>	mm <sup>2</sup>	AWG/kcmil	AWG/kcmil
$U_n = 400\text{ V}$				
246A-3	2 × (3 × 50)	2 × (3 × 95)	250 MCM or 2 × 1	350 MCM or 2 × 2/0
293A-3	2 × (3 × 70)	2 × (3 × 120)	350 MCM or 2 × 2/0	500 MCM or 2 × 3/0
363A-3	3 × (3 × 50)	3 × (3 × 95)	500 MCM or 2 × 3/0	700 MCM or 2 × 4/0 or 3 × 2/0
442A-3	3 × (3 × 70)	3 × (3 × 120)	700 MCM or 2 × 4/0 or 3 × 2/0	2 × 300 MCM or 3 × 3/0
505A-3	3 × (3 × 70)	3 × (3 × 120)	700 MCM or 2 × 4/0 or 3 × 2/0	2 × 300 MCM or 3 × 3/0
585A-3	3 × (3 × 120)	3 × (3 × 150)	2 × 350 MCM or 3 × 4/0	2 × 500 MCM or 3 × 250 MCM
650A-3	3 × (3 × 120)	3 × (3 × 185)	2 × 400 MCM or 3 × 4/0	2 × 600 MCM or 3 × 300 MCM
$U_n = 500\text{ V}$				
240A-5	1 × (3 × 120)	2 × (3 × 70)	3/0	250 MCM or 2 × 1
260A-5	2 × (3 × 50)	3 × (3 × 70)	250 MCM or 2 × 1	350 MCM or 2 × 2/0
302A-5	2 × (3 × 70)	3 × (3 × 70)	300 MCM or 2 × 1/0	500 MCM or 2 × 3/0
361A-5	2 × (3 × 120)	3 × (3 × 70)	350 MCM or 2 × 2/0	500 MCM or 2 × 3/0
414A-5	3 × (3 × 50)	2 × (3 × 150)	500 MCM or 2 × 3/0	700 MCM or 2 × 4/0 or 3 × 2/0
460A-5	3 × (3 × 70)	3 × (3 × 120)	700 MCM or 2 × 4/0 or 3 × 2/0	2 × 300 MCM or 3 × 3/0
503A-5	3 × (3 × 95)	3 × (3 × 120)	2 × 250 MCM or 3 × 2/0	2 × 400 MCM or 3 × 4/0
$U_n = 690\text{ V}$				
142A-7	1 × (3 × 70)	2 × (3 × 50)	1/0	3/0
174A-7	2 × (3 × 50)	2 × (3 × 50)	2/0	4/0
210A-7	2 × (3 × 50)	2 × (3 × 70)	4/0	300 MCM or 2 × 1/0
271A-7	2 × (3 × 70)	3 × (3 × 50)	300 MCM or 2 × 1/0	400 MCM or 2 × 2/0
330A-7	2 × (3 × 50)	2 × (3 × 120)	400 MCM or 2 × 2/0	600 MCM or 2 × 4/0 or 3 × 1/0
370A-7	3 × (3 × 70)	2 × (3 × 150)	500 MCM or 2 × 3/0	700 MCM or 2 × 4/0 or 3 × 2/0
430A-7	3 × (3 × 70)	2 × (3 × 185)	700 MCM or 2 × 4/0 or 3 × 2/0	2 × 300 MCM or 3 × 3/0

1) The cable sizing is based on max. 9 cables laid on a cable ladder side by side, three ladder type trays one on top of the other, ambient temperature 30 °C (86 °F) PVC insulation, surface temperature 70 °C (158 °F) (EN 60204-1 and IEC 60364-5-52). For other conditions, dimension the cables according to local safety regulations, appropriate input voltage and the load current of the drive.

2) The cable sizing is based on NEC Table 310-16 for copper wires, 75 °C (167 °F) wire insulation at 40 °C (104 °F) ambient temperature. Not more than three current-carrying conductors in raceway or cable or earth (directly buried). For other conditions, dimension the cables according to local safety regulations, appropriate input voltage and the load current of the drive.

## Terminal and entry data for the power cables

Terminal and entry data for the power cables	
Maximum accepted cable size	4 × (3 × 240) mm <sup>2</sup> or 4 × (3 × 500 AWG)
Screw size for connecting busbars to the drive module input and output busbars	M12
Tightening torque	50...75 N·m (37...55 lbf·ft)

### ■ Units with optional cabling panels (+H381)

The maximum accepted cable size is  $4 \times (3 \times 240) \text{ mm}^2$  or  $4 \times (3 \times 500 \text{ AWG})$ . The cabling panels are connected to the drive module busbars with M12 serpress nuts, tightening torque 30 N·m (20 lbf·ft).

Input, motor and brake resistor cable terminal sizes and tightening torques are given below.

L1/U1, L2/V1, L3/W1, T1/U2, T2/V2, T3/W2, UDC+, UDC-				Grounding busbar			
Screw		Tightening torque		Screw		Tightening torque	
		N·m	lbf·ft			N·m	lbf·ft
M12	1/2	50...75	37...55	M10	3/8	30...44	22...32

Two-hole 1/2 inch diameter cable lugs can be used.

### ■ Units without full-size output cable connection terminals (+0H371) and with a common mode filter (+E208)

It is possible to use the maximum cable size ( $4 \times [3 \times 240] \text{ mm}^2$  or  $4 \times [(3 \times 500 \text{ AWG})]$ ) only with special cable lugs and additional insulation. For more information, contact your local ABB representative.

## Terminal data for the control cables

See [Connector data](#).

## Electrical power network specification

Voltage ( $U_1$ )	<p><u>ACS880-34-xxxx-3 drive modules:</u> 380...415 VAC 3-phase +10%...-15%. This is indicated in the type designation label as typical input voltage level 3~400 V AC.</p> <p><u>ACS880-34-xxxx-5 drive modules:</u> 380...500 V AC 3-phase +10%...-15%. This is indicated in the type designation label as typical input voltage levels 3~400/480/500 V AC.</p> <p><u>ACS880-34-xxxx-7 drive modules:</u> 525...690 V AC 3-phase +10%...-15%. This is indicated in the type designation label as typical input voltage levels 3~525/600/690 V AC (600 V AC UL, CSA).</p>
Network type	TN (grounded) and IT (ungrounded) systems
Rated conditional short-circuit current $I_{cc}$ (IEC 61439-1)	Maximum allowable prospective short-circuit current is 65 kA when protected by the fuses given in the fuse table.
Prospective short-circuit current rating $I_{SCCR}$ (UL 61800-5-1)	The drive is suitable for use on a circuit capable of delivering not more than 100,000 rms symmetrical amperes at 600 V maximum when protected by the fuses given in the fuse table.
Frequency ( $f_1$ )	50/60 Hz. Variation $\pm 5\%$ of nominal frequency.
Imbalance	Max. $\pm 3\%$ of nominal phase to phase input voltage
Fundamental power factor ( $\cos \phi_1$ )	1 (at nominal load)



Harmonic distortion	<p>Harmonics are below the limits defined in IEEE 519-2014, and G5/4. The drive complies with IEC 61000-3-2, IEC 61000-3-4 and IEC 61000-3-12.</p> <p>The table below shows typical values of the drive for short-circuit ratio (<math>I_{sc}/I_1</math>) of 20 to 100. The values will be met if the supply network voltage is not distorted by other loads and when the drive operates at nominal load.</p> <table border="1" style="margin-left: auto; margin-right: auto;"> <thead> <tr> <th>Nominal bus voltage V at PCC</th> <th>THDi (%)</th> <th>THDv (%)</th> </tr> </thead> <tbody> <tr> <td style="text-align: center;">V ≤ 690 V</td> <td style="text-align: center;">3*</td> <td style="text-align: center;">&lt; 3**</td> </tr> </tbody> </table> <p>PCC Point on a public power supply system, electrically nearest to a particular load, at which other loads are, or could be, connected. The PCC is a point located upstream of the considered installation.</p> <p>THDi Indicates the total harmonic current distortion of the wave form. This value is defined as the ratio (in %) of the harmonic current to the fundamental (non-harmonic) current measured at a load point at the particular moment when the measurement is taken:</p> $THDi = \frac{\sqrt{\sum_{n=2}^{40} I_n^2}}{I_1} \cdot 100\%$ <p>THDv Indicates the total magnitude of the voltage distortion. This value is defined as the ratio (in %) of the harmonic voltage to the fundamental (non-harmonic) voltage:</p> $THDv = \frac{\sqrt{\sum_{n=2}^{40} U_n^2}}{U_1} \cdot 100\%$ <p><math>I_{sc}/I_1</math> Short-circuit ratio  <math>I_{sc}</math> Maximum short-circuit current at PCC  <math>I_1</math> Continuous rms input current of the drive  <math>I_n</math> Amplitude of the current harmonic n  <math>U_1</math> Supply voltage  <math>U_n</math> Amplitude of the voltage harmonic n</p> <p>* The short-circuit ratio can influence the THDi value                  ** Other loads can influence the THDv value</p>	Nominal bus voltage V at PCC	THDi (%)	THDv (%)	V ≤ 690 V	3*	< 3**
Nominal bus voltage V at PCC	THDi (%)	THDv (%)					
V ≤ 690 V	3*	< 3**					

## Motor connection data

Motor types	Asynchronous AC induction motors, permanent magnet motors, AC induction servomotors and ABB synchronous reluctance motors (SynRM motors)
Voltage ( $U_2$ )	0 to $U_1$ , 3-phase symmetrical. This is indicated in the type designation label as typical output voltage level as 3 0... $U_1$ , $U_{max}$ at the field weakening point.
Frequency ( $f_2$ )	0...500 Hz  <b>Note:</b> Operation above 150 Hz can require type-specific derating. For more information, contact your local ABB representative. <u>For drives with du/dt filter:</u> 120 Hz <u>For drives with sine filter:</u> 120 Hz
Frequency resolution	0.01 Hz

Current	See section <i>Ratings</i> .
Switching frequency	3 kHz (typically)
Maximum recommended motor cable length	<p><u>DTC control</u>: 500 m (1640 ft)  <u>Scalar control</u>: 500 m (1640 ft)</p> <p><b>Note:</b> For restrictions due to EMC compatibility, see section <i>EMC compliance (IEC/EN 61800-3:2004) (page 198)</i>.</p> <p>Longer motor cables cause a motor voltage decrease which limits the available motor power. The decrease depends on the motor cable length and characteristics. Contact ABB for more information. Note that a sine filter (optional) at the drive output also causes a voltage decrease.</p>

## DC connection data

ACS880-34-...	Capacitance (mF)
$U_n = 400 \text{ V}$	
246A-3	10.5
293A-3	10.5
363A-3	10.5
442A-3	10.5
505A-3	10.5
585A-3	14.0
650A-3	14.0
$U_n = 500 \text{ V}$	
240A-5	10.5
260A-5	10.5
302A-5	10.5
361A-5	10.5
414A-5	10.5
460A-5	14.0
503A-5	14.0
$U_n = 690 \text{ V}$	
142A-7	5.3
174A-7	5.3
210A-7	5.3
271A-7	5.3
330A-7	5.3
370A-7	5.3
430A-7	5.3

## Control panel type

ACS-AP-W assistant control panel

## Efficiency

Approximately 96.5% at nominal power level.

## Protection classes for module

Degrees of protection (IEC/EN 60529)	IP20 (standard) IP00 (option +0B051)
Enclosure types (UL 61800-5-1)	UL Type Open
Overvoltage category (IEC/EN 60664-1)	III
Protective class (IEC/EN 61800-5-1)	I

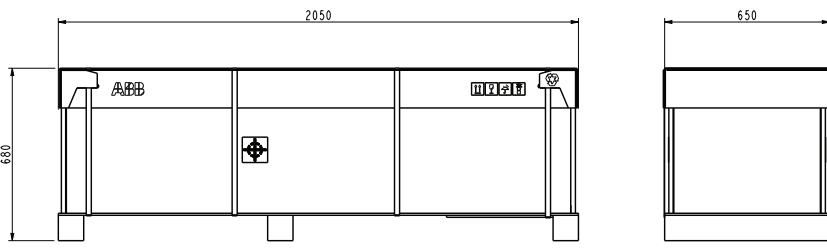
## Ambient conditions

The table shows environmental limits for the drive. The drive must be used in a heated, indoor, controlled environment.

	<b>Operation</b> installed for stationary use	<b>Storage</b> in the protective package	<b>Transportation</b> in the protective package
Installation site altitude	For TN and TT neutral-grounded network systems and IT ungrounded network systems: 0 to 4000 m (13123 ft) above sea level  Above 1000 m [3281 ft]: see <i>When is derating necessary (page 181)</i>	-	-
Surrounding air temperature	-15...+55 °C (5...131 °F). No frost allowed. See <i>When is derating necessary (page 181)</i>	-40...+70 °C (-40...+158 °F)	-40...+70 °C (-40...+158 °F)
Relative humidity	5...95%  No condensation allowed.	Max. 95%	Max. 95%
	Maximum allowed relative humidity is 60% in the presence of corrosive gases.		
<b>Contamination</b>	IEC/EN 60721-3-3:2002	IEC 60721-3-1:1997	IEC 60721-3-2:1997
Chemical gases	Class 3C2	Class 1C2	Class 2C2
Solid particles	Class 3S2. No conductive dust allowed.	Class 1S3. (packing must support this, otherwise 1S2)	Class 2S2
Pollution degree	2		
Atmospheric pressure	70...106 kPa 0.7 ... 1.05 atmospheres	70...106 kPa 0.7 ... 1.05 atmospheres	60...106 kPa 0.6 ... 1.05 atmospheres
Vibration IEC 60068-2-6:2007, EN 60068-2-6:2008	Max. 0.1 mm (0.004 in) (10...57 Hz), max. 10 m/s <sup>2</sup> (33 ft/s <sup>2</sup> ) (57...150 Hz) sinusoidal	Max. 1 mm (0.04 in) (5 ... 13.2 Hz), max. 7 m/s <sup>2</sup> (23 ft/s <sup>2</sup> ) (13.2 ... 100 Hz) sinusoidal	Max. 3.5 mm (0.14 in) (2...9 Hz), max. 15 m/s <sup>2</sup> (49 ft/s <sup>2</sup> ) (9...200 Hz) sinusoidal

Shock IEC 60068-2-27:2008, EN 60068-2-27:2009	Not allowed	With packing max. 100 m/s <sup>2</sup> (330 ft/s <sup>2</sup> ), 11 ms	With packing max. 100 m/s <sup>2</sup> (330 ft/s <sup>2</sup> ), 11 ms
Free fall	Not allowed	100 mm (4 in) for weight over 100 kg (220 lb)	100 mm (4 in) for weight over 100 kg (220 lb)

## Materials

Drive enclosure	<ul style="list-style-type: none"> <li>•PC/ABS 2.5 mm (0.098 in), color NCS 1502-Y (RAL 9002 / PMS 420 C)</li> <li>•hot-dip zinc coated steel sheet 1.5 ... 2.5 mm (0.059 ... 0.098 in), thickness of coating 100 micrometers, color NCS 1502-Y</li> </ul>
Air baffles for Rittal cabinet	See section <a href="#">Material of the air baffles (page 210)</a> .
Package	<p>Plywood and cardboard, bands PP.</p>  <p style="text-align: right;">3AXD50000174287</p>
Disposal	<p>The main parts of the drive can be recycled to preserve natural resources and energy. Product parts and materials should be dismantled and separated.</p> <p>Generally all metals, such as steel, aluminum, copper and its alloys, and precious metals can be recycled as material. Plastics, rubber, cardboard and other packaging material can be used in energy recovery. Printed circuit boards and large electrolytic capacitors need selective treatment according to IEC 62635 guidelines. To aid recycling, plastic parts are marked with an appropriate identification code.</p> <p>Contact your local ABB distributor for further information on environmental aspects and recycling instructions for professional recyclers. End of life treatment must follow international and local regulations.</p>






## Applicable standards




The drive complies with the following standards.

European electrical safety requirements product standards	
IEC/EN 61800-5-1:2007	<i>Adjustable speed electrical power drive systems. Part 5-1: Safety requirements – electrical, thermal and energy</i>
IEC 60204-1:2016 EN 60204-1:2018	<i>Safety of machinery. Electrical equipment of machines. Part 1: General requirements.</i> Provisions for compliance: The final assembler of the machine is responsible for installing: <ul style="list-style-type: none"> <li>•emergency-stop device</li> <li>•supply disconnecting device</li> <li>•IP00 drive module into a cabinet.</li> </ul>
IEC 60529:1989 EN 60529:1991 + A2:2013	<i>Degrees of protection provided by enclosures (IP code)</i>
IEC/EN 61800-3:2004 + A1:2012	<i>Adjustable speed electrical power drive systems. Part 3: EMC requirements and specific test methods</i>
UL 61800-5-1 First edition	<i>UL Standard for Safety, Adjustable Speed Electrical Power Drive Systems – Part 5-1: Safety Requirements – Electrical, Thermal and Energy</i>
CSA C22.2 No. 0-10	<i>General Requirements - Canadian Electrical Code, Part II</i>
CSA C22.2 No. 274-17	<i>Adjustable Speed Drives</i>

## Markings

These markings are attached to the drive:

	CE mark Product complies with the applicable European Union legislation. For fulfilling the EMC requirements, see the additional information concerning the drive EMC compliance (IEC/EN 61800-3).
	TÜV Safety Approved mark (functional safety) Product contains Safe Torque Off and possibly other (optional) safety functions which are certified by TÜV according to the relevant functional safety standards. Applicable to drives and inverters; not applicable to supply, brake or DC/DC converter units or modules.
	UL Listed mark for USA and Canada Product has been tested and evaluated against the relevant North American standards by the Underwriters Laboratories. Valid with rated voltages up to 600 V.
	EAC (Eurasian Conformity) mark Product complies with the technical regulations of the Eurasian Customs Union. EAC mark is required in Russia, Belarus and Kazakhstan.
	Electronic Information Products (EIP) green mark The product complies with <i>the People's Republic of China Electronic Industry Standard</i> (SJ/T 11364-2014). The product does not contain toxic and hazardous substances or elements above the maximum concentration values, and it is an environmentally-friendly product which can be recycled.

	<p>RCM mark Product complies with Australian and New Zealand requirements specific to EMC, telecommunications and electrical safety. For fulfilling the EMC requirements, see the additional information concerning the drive EMC compliance (IEC/EN 61800-3).</p>
	<p>KC mark Product complies with Korea's product safety requirements for electrical and electronic equipment and components that utilize power from 50...1000 V AC.</p>
	<p>WEEE mark At the end of life the product should enter the recycling system at an appropriate collection point and not placed in the normal waste stream.</p>

## EMC compliance (IEC/EN 61800-3:2004)

### ■ Definitions

EMC stands for Electromagnetic Compatibility. It is the ability of electrical/electronic equipment to operate without problems within an electromagnetic environment. Likewise, the equipment must not disturb or interfere with any other product or system within its locality.

*First environment* includes establishments connected to a low-voltage network which supplies buildings used for domestic purposes.

*Second environment* includes establishments connected to a network not supplying domestic premises.

*Drive of category C1:* drive of rated voltage less than 1000 V and intended for use in the first environment.

*Drive of category C2:* drive of rated voltage less than 1000 V and intended to be installed and started up only by a professional when used in the first environment.

**Note:** A professional is a person or organization having necessary skills in installing and/or starting up power drive systems, including their EMC aspects.

*Drive of category C3:* drive of rated voltage less than 1000 V and intended for use in the second environment and not intended for use in the first environment.

*Drive of category C4:* drive of rated voltage equal to or above 1000 V, or rated current equal to or above 400 A, or intended for use in complex systems in the second environment.

### ■ Category C2

The drive complies with the standard with the following provisions:

1. The drive is equipped with EMC filter +E202 / ARFI-10 and common mode filter (+E208).
  2. The motor and control cables are selected as specified in the hardware manual.
  3. The drive is installed according to the instructions given in the hardware manual.
  4. Maximum motor cable length is 150 meters.
-



**WARNING!**

The drive may cause radio interference if used in a residential or domestic environment. The user is required to take measures to prevent interference, in addition to the requirements for CE compliance listed above, if necessary.

---



**WARNING!** Do not install a drive equipped with EMC filter +E202 grounding wire connected on IT (ungrounded) systems. The supply network becomes connected to ground potential through the EMC filter capacitors which may cause danger or damage to the unit.

---

■ **Category C3**

The drive complies with the standard with the following provisions:

1. The drive is equipped with EMC filter +E210.
  2. The motor and control cables are selected as specified in the hardware manual.
  3. The drive is installed according to the instructions given in the hardware manual.
  4. Maximum motor cable length is 100 meters.
- 



**WARNING!**

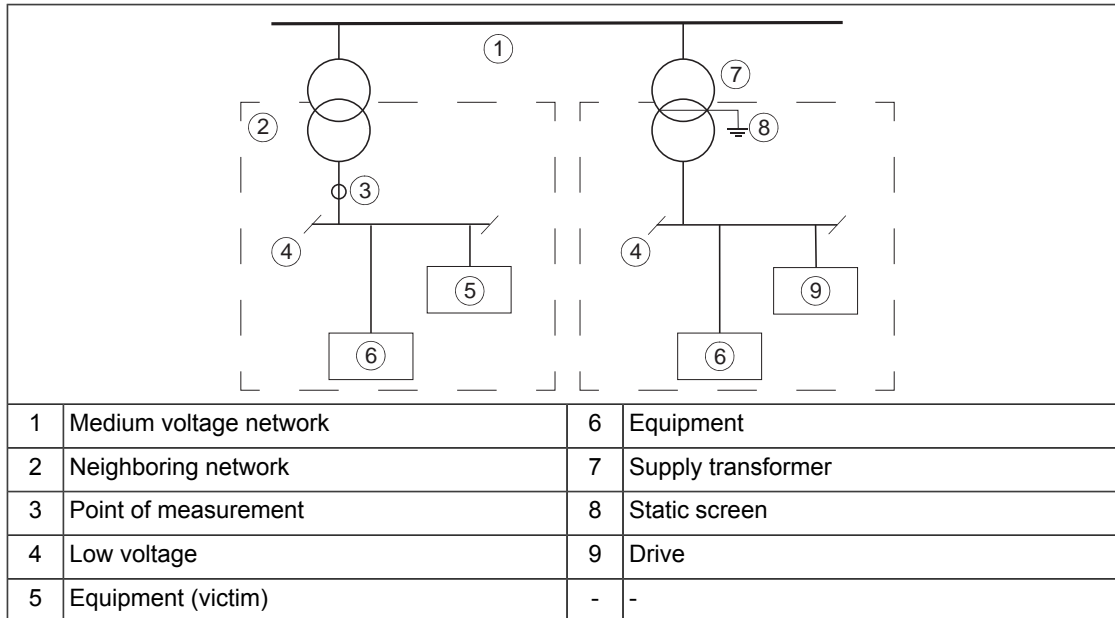
A drive of category C3 is not intended to be used on a low-voltage public network which supplies domestic premises. Radio frequency interference is expected if the drive is used on such a network.

---

■ **Category C4**

The drive complies with the C4 category with these provisions:

1. It is ensured that no excessive emission is propagated to neighboring low-voltage networks. In some cases, the natural suppression in transformers and cables is sufficient. If in doubt, the supply transformer with static screening between the primary and secondary windings can be used.



2. An EMC plan for preventing disturbances is drawn up for the installation. A template is available in *Technical guide No. 3 EMC compliant installation and configuration for a power drive system* ([3AFE61348280](#) (English)).
3. The motor and control cables are selected, and routed according to the electrical planning guidelines of the drive. The EMC recommendations are obeyed.
4. The drive is installed according to its installation instructions. The EMC recommendations are obeyed.



**WARNING!**

A drive of category C4 is not intended to be used on a low-voltage public network which supplies domestic premises. Radio frequency interference is expected if the drive is used on such a network.

**UL and CSA checklist**



**WARNING!**

Operation of this drive requires detailed installation and operation instructions provided in the hardware and software manuals. The manuals are provided in electronic format in the drive package or on the Internet. Keep the manuals with the drive at all times. Hard copies of the manuals can be ordered through the manufacturer.



- Make sure that the drive type designation label includes the applicable marking.
- **DANGER - Risk of electric shock.** After disconnecting the input power, always wait for 5 minutes to let the intermediate circuit capacitors discharge before you start working on the drive, motor or motor cable.
- The drive is to be used in a heated, indoor controlled environment. The drive must be installed in clean air according to the enclosure classification. Cooling air must be clean, free from corrosive materials and electrically conductive dust.
- The maximum surrounding air temperature is 40 °C at rated output current. The output current is derated for 40 ... 55 °C.
- The drive is suitable for use in a circuit capable of delivering not more than 100 kA rms symmetrical amperes, 600 V maximum when protected by the UL fuses given elsewhere in this chapter.
- The cables located within the motor circuit must be rated for at least 75 °C in UL-compliant installations.
- The input cable must be protected with fuses or circuit breakers. These protective devices provide branch circuit protection in accordance with the national regulations (National Electrical Code (NEC) or Canadian Electrical Code). Obey also any other applicable local or provincial codes.



**WARNING!**

The opening of the branch-circuit protective device may be an indication that a fault current has been interrupted. To reduce the risk of fire or electric shock, current-carrying parts and other components of the device should be examined and replaced if damaged.

---

- The drive provides motor overload protection. This feature is not enabled when the drives leaves the ABB factory. For enabling this motor overload protection, see the firmware manual.
- The drive overvoltage category according to IEC 60664-1 is III

## EU Declaration of Conformity (Machinery Directive)

See [The Safe torque off function \(page 215\)](#)

## Disclaimers

### ■ Generic disclaimer

The manufacturer shall have no obligation with respect to any product which (i) has been improperly repaired or altered; (ii) has been subjected to misuse, negligence or accident; (iii) has been used in a manner contrary to the manufacturer's instructions; or (iv) has failed as a result of ordinary wear and tear.

---

■ **Cybersecurity disclaimer**

This product is designed to be connected to and to communicate information and data via a network interface. It is Customer's sole responsibility to provide and continuously ensure a secure connection between the product and Customer network or any other network (as the case may be). Customer shall establish and maintain any appropriate measures (such as but not limited to the installation of firewalls, application of authentication measures, encryption of data, installation of anti-virus programs, etc) to protect the product, the network, its system and the interface against any kind of security breaches, unauthorized access, interference, intrusion, leakage and/or theft of data or information. ABB and its affiliates are not liable for damages and/or losses related to such security breaches, any unauthorized access, interference, intrusion, leakage and/or theft of data or information.

# 18

## Dimension drawings

---

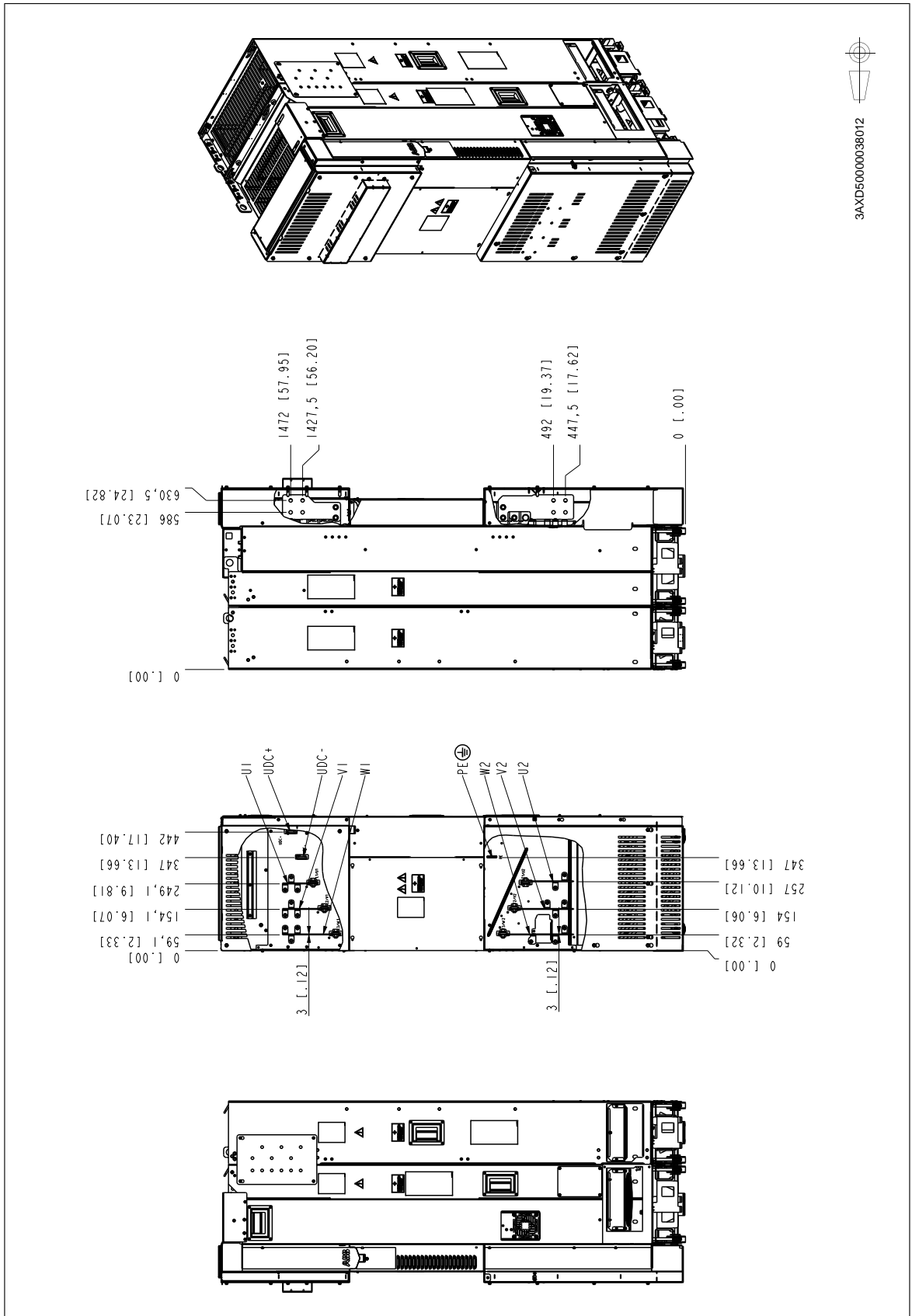
### Contents of this chapter

This chapter contains dimension drawings of the drive modules with optional parts for Rittal VX25 enclosure.

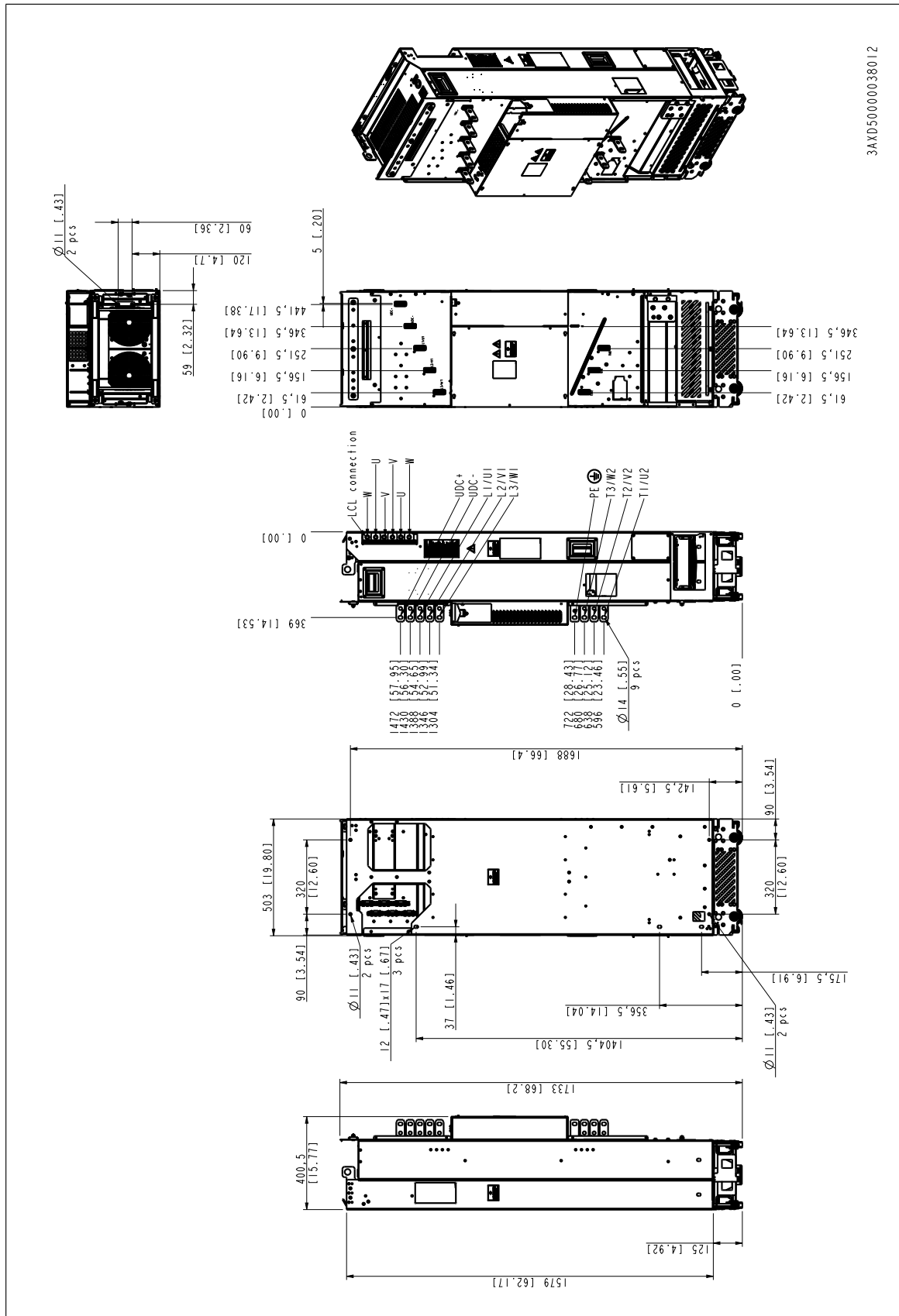
---



# Location of power cable connection terminals with options +H370, +H356



# Drive module with options +0B051+H356+0H371



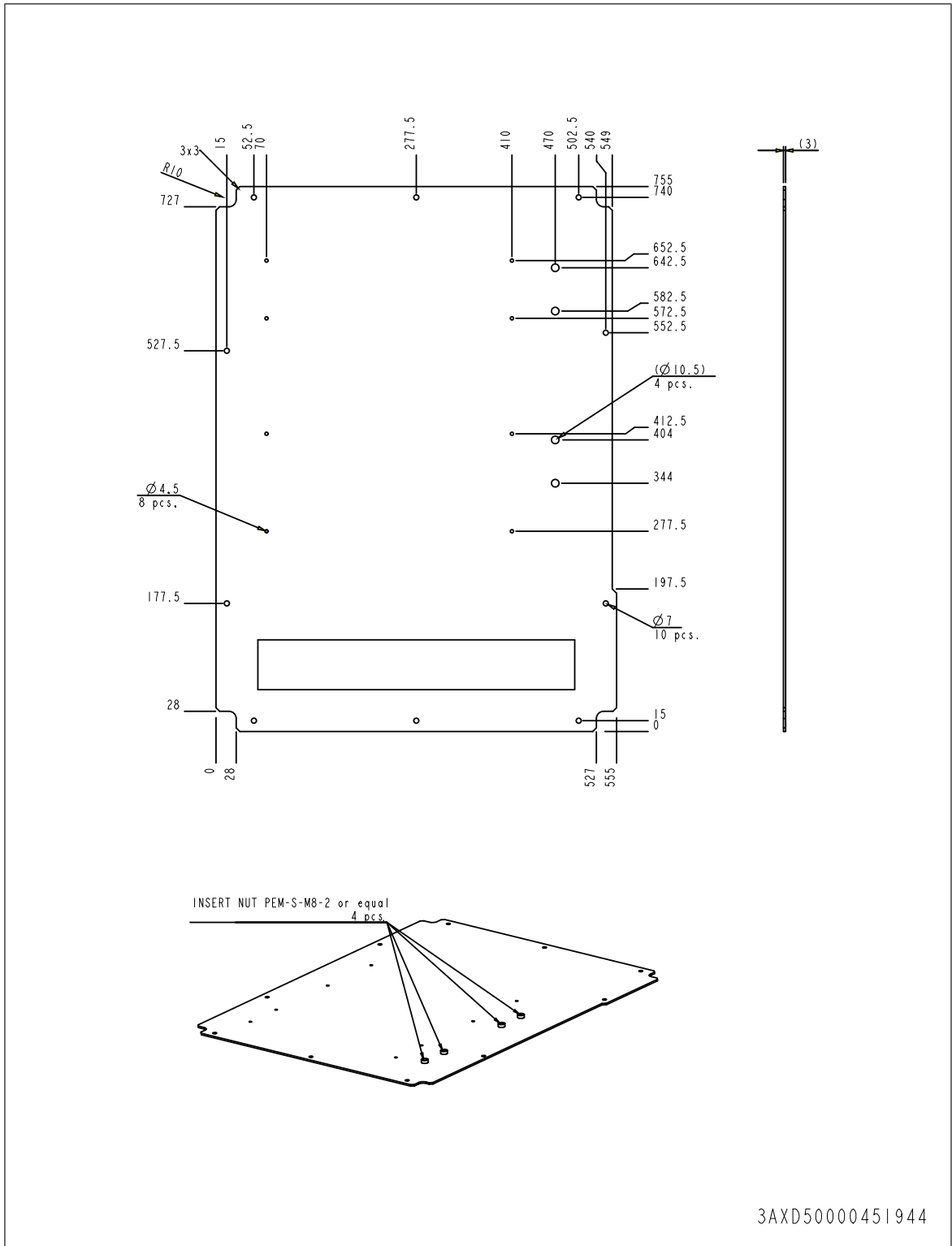






## Bottom plate

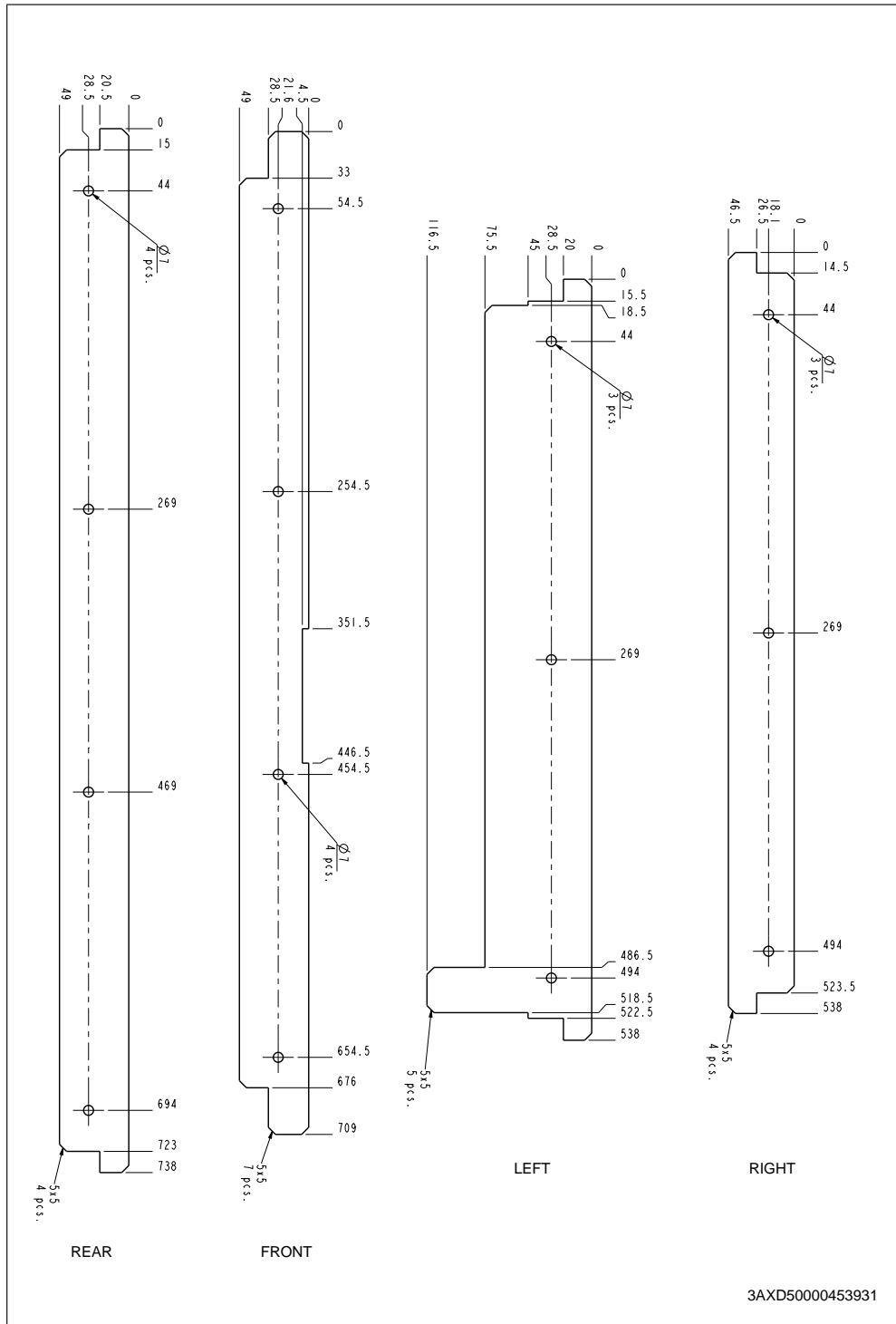
This drawing shows the dimensions of the bottom plate for 800 mm Rittal VX25 enclosure. It is not an ABB product.



## Air baffles

This drawing shows the dimensions of the air baffles around the standard drive module for 800 mm Rittal VX25 enclosure.

These are not ABB products.

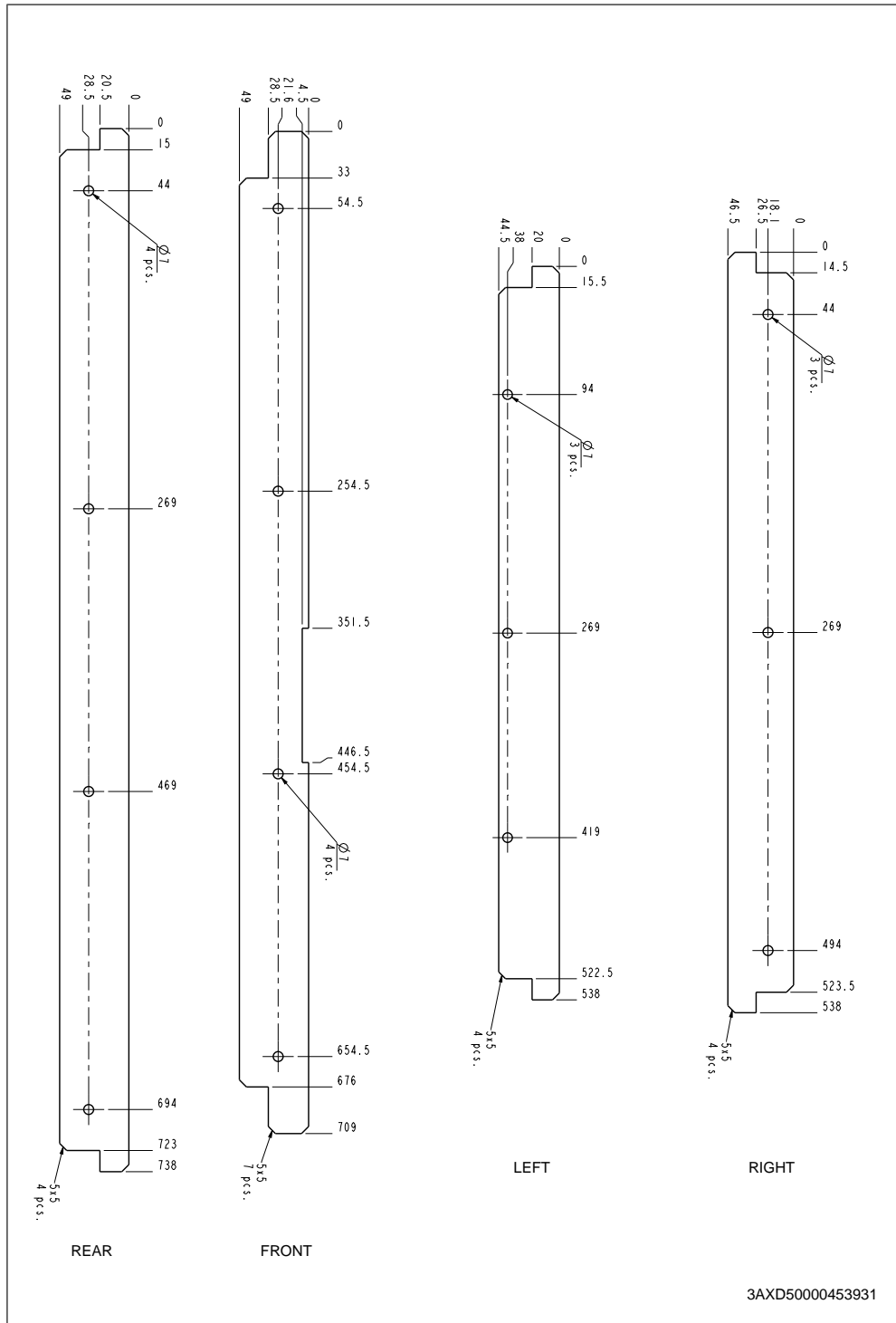


### ■ Material of the air baffles

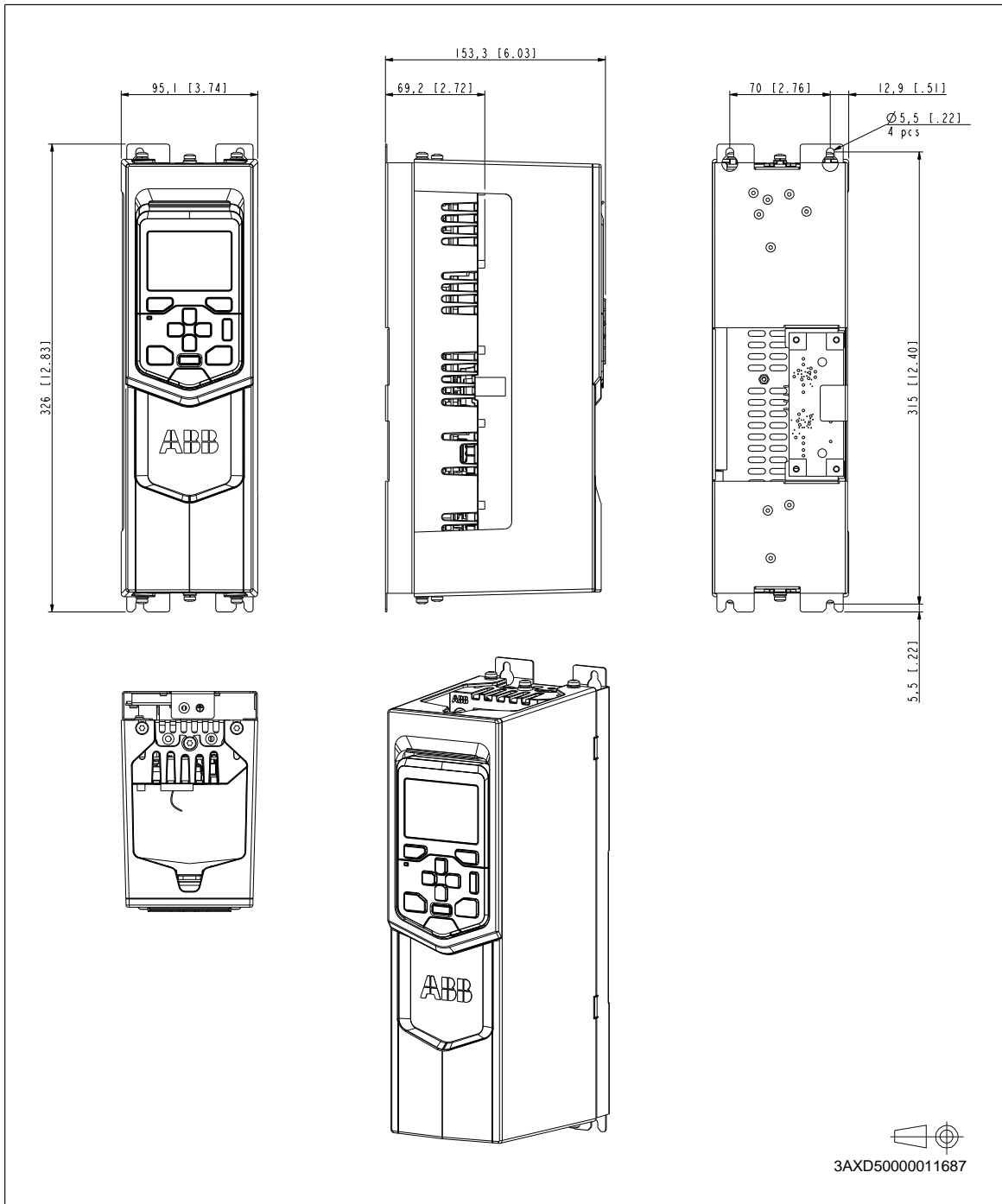
0.75 mm polycarbonate (PC) film LEXAN® FR60 (GE) with UL94 V-0 listing, UV stability. (LEXAN® FR700 or Valox FR1 only with special permission). Unmarked bend radii 0.6 mm.

## Air baffles for option +H381 in 800 mm wide Rittal VX25 enclosure

This drawing shows the dimensions of the air baffles for the full cabling panels option (+H381) in 800 mm Rittal VX25 enclosure. These are not ABB products.



# External control unit



# 19

## Example circuit diagrams

---

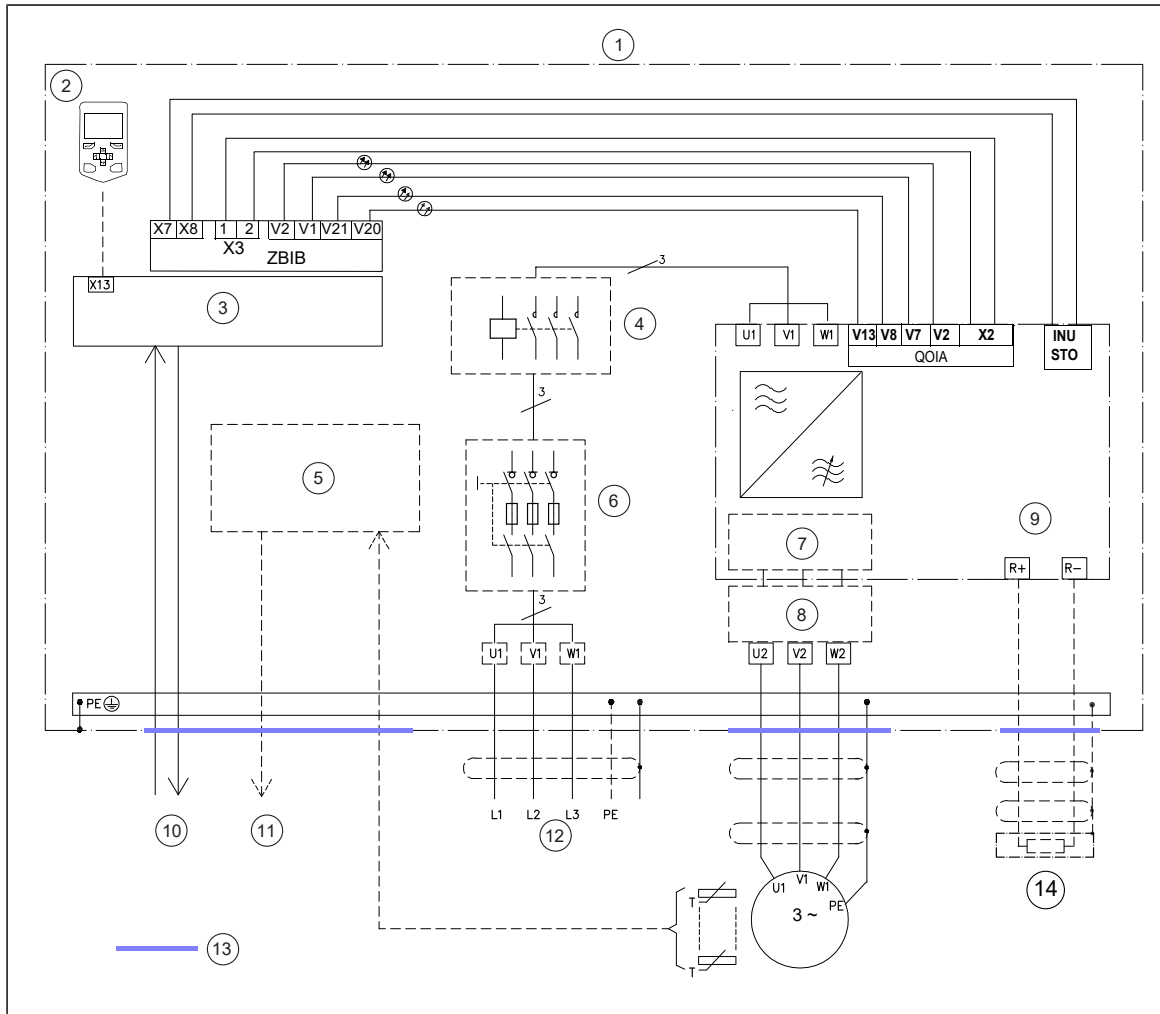
### Contents of this chapter

This chapter shows an example circuit diagram for a cabinet-installed drive module.

### Example circuit diagram

This diagram is an example for the main wiring of a drive cabinet. Note that the diagram includes components which are not included in a basic delivery (\* plus code options, \*\* other options, \*\*\* to be acquired by the customer).

214 Example circuit diagrams



1	Cabinet
2	*ACS-AP-W control panel
3	ZCU control unit
4	***Main contactor
5	**Motor temperature supervision
6	***Switch fuse disconnecter
7	*Common mode filter
8	**du/dt filter or sine filter
9	Drive module
10	Input and output signals
11	Alarm
12	Supply
13	360 degree grounding recommended
14	**Brake resistor

# 20

## The Safe torque off function

---

### Contents of this chapter

This chapter describes the Safe torque off (STO) function of the drive and gives instructions for its use.

### Description

---



#### **WARNING!**

In case of parallel-connected drives or dual-winding motors, the STO must be activated on each drive to remove the torque from the motor.

---

The Safe torque off function can be used, for example, as the final actuator device of safety circuits that stop the drive in case of danger (such as an emergency stop circuit). Another typical application is a prevention of unexpected start-up function that enables short-time maintenance operations like cleaning or work on non-electrical parts of the machinery without switching off the power supply to the drive.

When activated, the Safe torque off function disables the control voltage of the power semiconductors of the drive output stage (A, see the diagrams below), thus preventing the drive from generating the torque required to rotate the motor. If the motor is running when Safe torque off is activated, it coasts to a stop.

The Safe torque off function has a redundant architecture, that is, both channels must be used in the safety function implementation. The safety data given in this manual is calculated for redundant use, and does not apply if both channels are not used.

The Safe torque off function complies with these standards:

Standard	Name
IEC 60204-1:2016 EN 60204-1:2018	<i>Safety of machinery – Electrical equipment of machines – Part 1: General requirements</i>

<b>Standard</b>	<b>Name</b>
IEC 61000-6-7:2014	<i>Electromagnetic compatibility (EMC) – Part 6-7: Generic standards – Immunity requirements for equipment intended to perform functions in a safety-related system (functional safety) in industrial locations</i>
IEC 61326-3-1:2017	<i>Electrical equipment for measurement, control and laboratory use – EMC requirements – Part 3-1: Immunity requirements for safety-related systems and for equipment intended to perform safety-related functions (functional safety) – General industrial applications</i>
IEC 61508-1:2010	<i>Functional safety of electrical/electronic/programmable electronic safety-related systems – Part 1: General requirements</i>
IEC 61508-2:2010	<i>Functional safety of electrical/electronic/programmable electronic safety-related systems – Part 2: Requirements for electrical/electronic/programmable electronic safety-related systems</i>
IEC 61511-1:2017	<i>Functional safety – Safety instrumented systems for the process industry sector</i>
IEC 61800-5-2:2016 EN 61800-5-2:2007	<i>Adjustable speed electrical power drive systems – Part 5-2: Safety requirements – Functional</i>
IEC 62061:2005 + A1:2012 + A2:2015 EN 62061:2005 + AC:2010 + A1:2013 + A2:2015	<i>Safety of machinery – Functional safety of safety-related electrical, electronic and programmable electronic control systems</i>
EN ISO 13849-1:2015	<i>Safety of machinery – Safety-related parts of control systems – Part 1: General principles for design</i>
EN ISO 13849-2:2012	<i>Safety of machinery – Safety-related parts of control systems – Part 2: Validation</i>

The function also corresponds to Prevention of unexpected start-up as specified by EN ISO 14118:2018 (ISO 14118:2017), and Uncontrolled stop (stop category 0) as specified in EN/IEC 60204-1.

### ■ **Compliance with the European Machinery Directive**

See the technical data.

The Declaration of conformity is shown at the end of this chapter.



## Wiring

For the electrical specifications of the STO connection, see the technical data of the control unit.

### ■ Activation switch

In the wiring diagrams, the activation switch has the designation [K]. This represents a component such as a manually operated switch, an emergency stop push button switch, or the contacts of a safety relay or safety PLC.

- In case a manually operated activation switch is used, the switch must be of a type that can be locked out to the open position.
- The contacts of the switch or relay must open/close within 200 ms of each other.
- An FSO-xx safety functions module or an FPTC-0x thermistor protection module can also be used. For more information, see the module documentation.

### ■ Cable types and lengths

- Double-shielded twisted-pair cable is recommended.
- Maximum cable lengths:
  - 300 m (1000 ft) between activation switch [K] and drive control unit
  - 60 m (200 ft) between multiple drives
  - 60 m (200 ft) between external power supply and first control unit

**Note:** A short-circuit in the wiring between the switch and an STO terminal causes a dangerous fault. Therefore, it is recommended to use a safety relay (including wiring diagnostics) or a wiring method (shield grounding, channel separation) which reduces or eliminates the risk caused by the short-circuit.

**Note:** The voltage at the STO input terminals of the control unit must be at least 17 V DC to be interpreted as “1”.

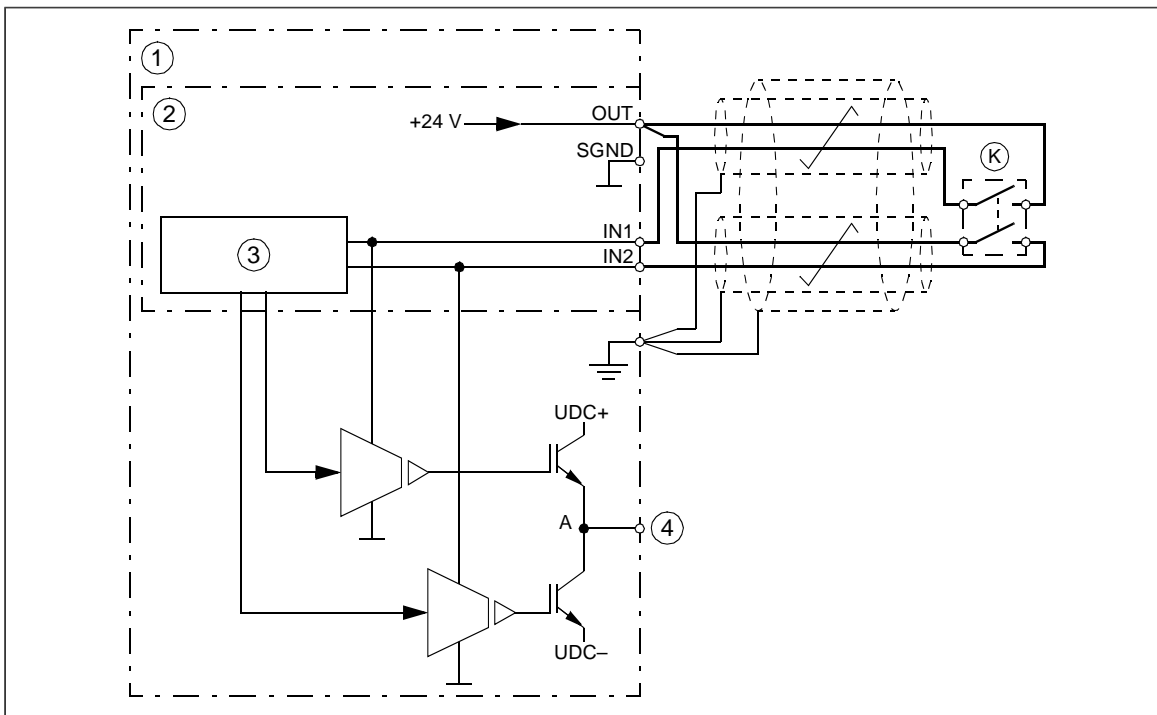
The pulse tolerance of the input channels is 1 ms.

### ■ Grounding of protective shields

- Ground the shield in the cabling between the activation switch and the control unit at the control unit only.
  - Ground the shield in the cabling between two control units at one control unit only.
-

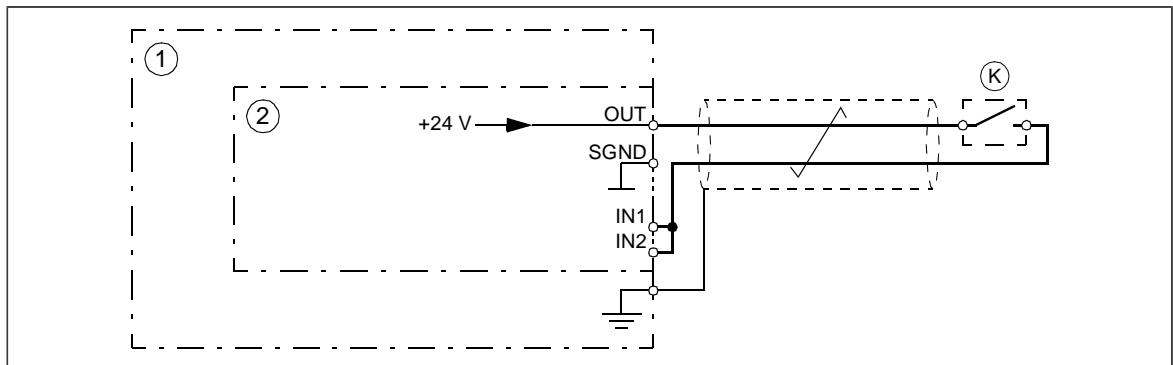
■ Single drive (internal power supply)

Dual-channel connection



1	Drive
2	Control unit
3	Control logic
4	To motor
K	Activation switch

### Single-channel connection



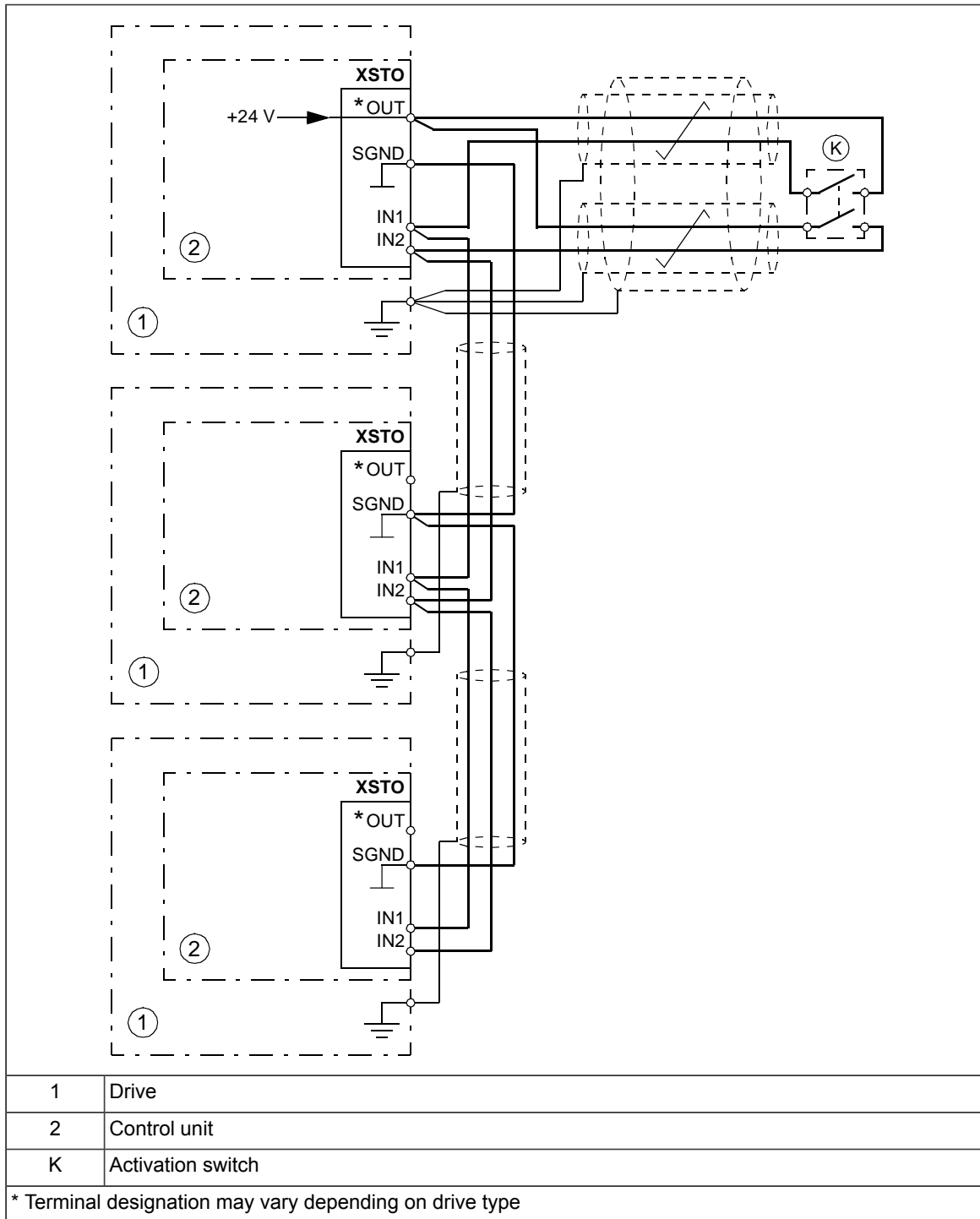
**Note:**

- Both STO inputs (IN1, IN2) must be connected to the activation switch. Otherwise, no SIL/PL classification is given.
- Pay special attention to avoiding any potential failure modes for the wiring. For example, use shielded cable. For measures for fault exclusion of wiring, see eg. EN ISO 13849-2:2012, table D.4.

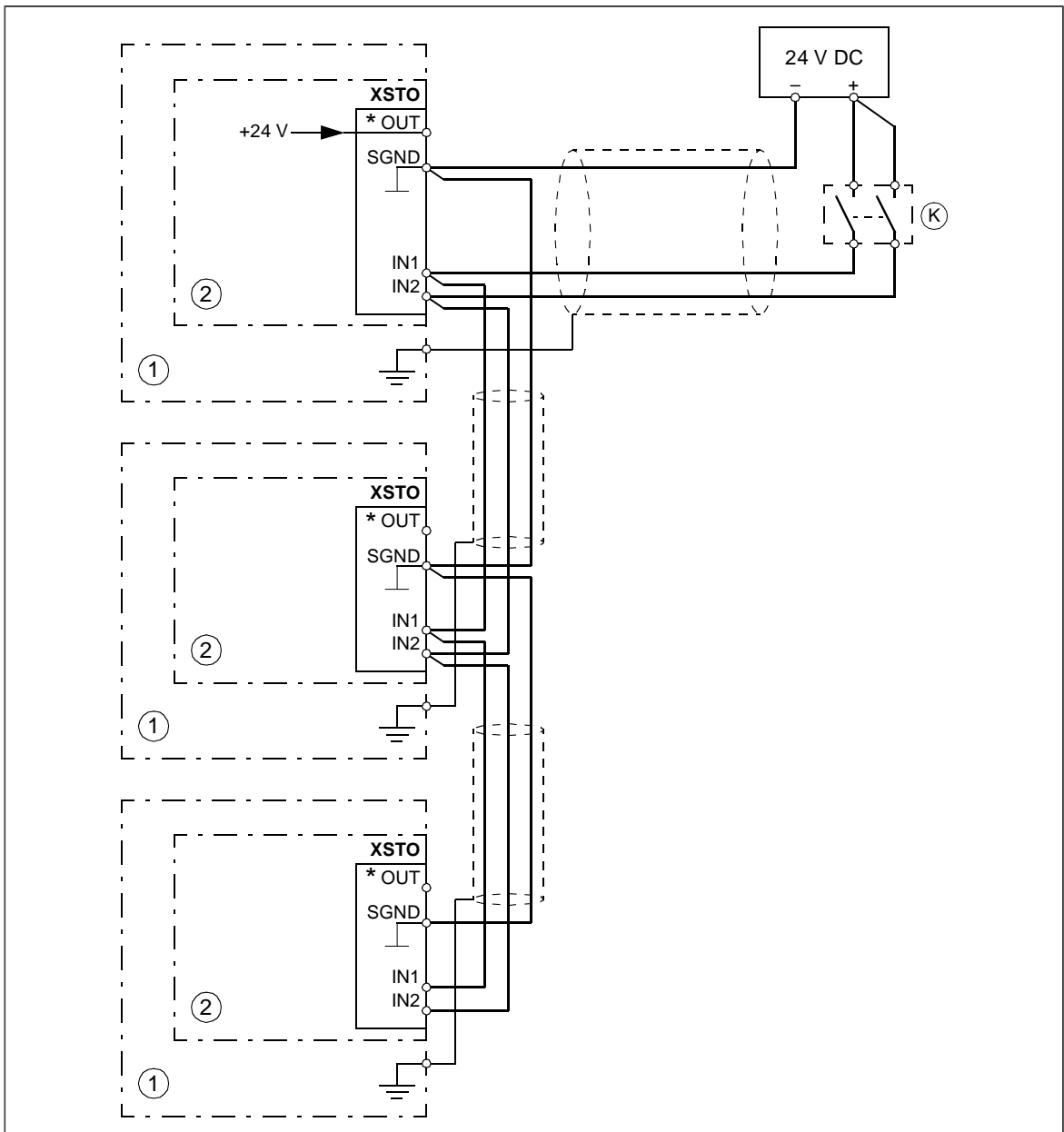
1	Drive
2	Control unit
K	Activation switch

■ Multiple drives

Internal power supply



### External power supply



1	Drive
2	Control unit
K	Activation switch
* Terminal designation may vary depending on drive type	

## Operation principle

1. The Safe torque off activates (the activation switch is opened, or safety relay contacts open).
2. The STO inputs of the drive control unit de-energize.
3. The control unit cuts off the control voltage from the output IGBTs.
4. The control program generates an indication as defined by parameter 31.22 (see the firmware manual of the drive).

The parameter selects which indications are given when one or both STO signals are switched off or lost. The indications also depend on whether the drive is running or stopped when this occurs.

**Note:** This parameter does not affect the operation of the STO function itself. The STO function will operate regardless of the setting of this parameter: a running drive will stop upon removal of one or both STO signals, and will not start until both STO signals are restored and all faults reset.

**Note:** The loss of only one STO signal always generates a fault as it is interpreted as a malfunction of STO hardware or wiring.

5. The motor coasts to a stop (if running). The drive cannot restart while the activation switch or safety relay contacts are open. After the contacts close, a reset may be needed (depending on the setting of parameter 31.22). A new start command is required to start the drive.
-

## Start-up including validation test

To ensure the safe operation of a safety function, validation is required. The final assembler of the machine must validate the function by performing a validation test. The test must be performed

- at initial start-up of the safety function
- after any changes related to the safety function (circuit boards, wiring, components, settings, etc.)
- after any maintenance work related to the safety function
- after a drive firmware update.

### ■ Competence

The validation test of the safety function must be carried out by a competent person with adequate expertise and knowledge of the safety function as well as functional safety, as required by IEC 61508-1 clause 6. The test procedures and report must be documented and signed by this person.


### ■ Validation test reports

Signed validation test reports must be stored in the logbook of the machine. The report shall include documentation of start-up activities and test results, references to failure reports and resolution of failures. Any new validation tests performed due to changes or maintenance shall be logged into the logbook.

### ■ Validation test procedure

After wiring the Safe torque off function, validate its operation as follows.

**Note:** If the drive is equipped with safety option +Q972, +Q973 or +Q982, also do the procedure shown in the FSO-xx module documentation.

<b>Action</b>	<input checked="" type="checkbox"/>
 <b>WARNING!</b> Obey the safety instructions. If you ignore them, injury or death, or damage to the equipment can occur.	<input type="checkbox"/>
Make sure that the drive can be run and stopped freely during start-up.	<input type="checkbox"/>
Stop the drive (if running), switch the input power off and isolate the drive from the power line using a disconnecter.	<input type="checkbox"/>
Check the STO circuit connections against the wiring diagram.	<input type="checkbox"/>
Close the disconnecter and switch the power on.	<input type="checkbox"/>
Test the operation of the STO function when the motor is stopped. <ul style="list-style-type: none"> <li>• Give a stop command for the drive (if running) and wait until the motor shaft is at a standstill.</li> </ul> Make sure that the drive operates as follows: <ul style="list-style-type: none"> <li>• Open the STO circuit. The drive generates an indication if one is defined for the 'stopped' state in parameter 31.22 (see the firmware manual).</li> <li>• Give a start command to verify that the STO function blocks the drive's operation. The drive generates a warning. The motor should not start.</li> <li>• Close the STO circuit.</li> <li>• Reset any active faults. Restart the drive and check that the motor runs normally.</li> </ul>	<input type="checkbox"/>

224 *The Safe torque off function*

<b>Action</b>	<input checked="" type="checkbox"/>
<p>Test the operation of the STO function when the motor is running.</p> <ul style="list-style-type: none"> <li>•Start the drive and make sure the motor is running.</li> <li>•Open the STO circuit. The motor should stop. The drive generates an indication if one is defined for the 'running' state in parameter 31.22 (see the firmware manual).</li> <li>•Reset any active faults and try to start the drive.</li> <li>•Make sure that the motor stays at a standstill and the drive operates as described above in testing the operation when the motor is stopped.</li> <li>•Close the STO circuit.</li> <li>•Reset any active faults. Restart the drive and check that the motor runs normally.</li> </ul>	<input type="checkbox"/>
<p>Test the operation of the failure detection of the drive. The motor can be stopped or running.</p> <ul style="list-style-type: none"> <li>•Open the 1st channel of the STO circuit. If the motor was running, it should coast to a stop. The drive generates a <i>FA81 Safe Torque Off 1 loss</i> fault indication (see the firmware manual).</li> <li>•Give a start command to verify that the STO function blocks the drive's operation. The motor should not start.</li> <li>•Close the STO circuit.</li> <li>•Reset any active faults. Restart the drive and check that the motor runs normally.</li> <li>•Open the 2nd channel of the STO circuit. If the motor was running, it should coast to a stop. The drive generates a <i>FA82 Safe Torque Off 2 loss</i> fault indication (see the firmware manual).</li> <li>•Give a start command to verify that the STO function blocks the drive's operation. The motor should not start.</li> <li>•Close the STO circuit.</li> <li>•Reset any active faults. Restart the drive and check that the motor runs normally.</li> </ul>	<input type="checkbox"/>
<p>Document and sign the validation test report which verifies that the safety function is safe and accepted for operation.</p>	<input type="checkbox"/>



## Use

1. Open the activation switch, or activate the safety functionality that is wired to the STO connection.
2. The STO inputs on the drive control unit de-energize, and the control unit cuts off the control voltage from the output IGBTs.
3. The control program generates an indication as defined by parameter 31.22 (see the firmware manual of the drive).
4. The motor coasts to a stop (if running). The drive will not restart while the activation switch or safety relay contacts are open.
5. Deactivate the STO by closing the activation switch, or resetting the safety functionality that is wired to the STO connection.
6. Reset any faults before restarting.



### WARNING!

The Safe torque off function does not disconnect the voltage of the main and auxiliary circuits from the drive. Therefore maintenance work on electrical parts of the drive or the motor can only be carried out after isolating the drive from the supply and all other voltage sources.

---



### WARNING!

The drive cannot detect or memorize any changes in the STO circuitry when the drive control unit is not powered. If both STO circuits are closed and a level-type start signal is active when the power is restored, it is possible that the drive starts without a fresh start command. Take this into account in the risk assessment of the system.

---



### WARNING!

(With permanent magnet or synchronous reluctance [SynRM] motors only)

In case of a multiple IGBT power semiconductor failure, the drive can produce an alignment torque which maximally rotates the motor shaft by  $180/p$  degrees (with permanent magnet motors) or  $180/2p$  degrees (with synchronous reluctance [SynRM] motors) regardless of the activation of the Safe torque off function.  $p$  denotes the number of pole pairs.

---

### Notes:

- If a running drive is stopped by using the Safe torque off function, the drive will cut off the motor supply voltage and the motor will coast to a stop. If this causes danger or is not otherwise acceptable, stop the drive and machinery using the appropriate stop mode before activating the Safe torque off function.
  - The Safe torque off function overrides all other functions of the drive.
  - The Safe torque off function is ineffective against deliberate sabotage or misuse.
  - The Safe torque off function has been designed to reduce the recognized hazardous conditions. In spite of this, it is not always possible to eliminate all potential hazards. The assembler of the machine must inform the final user about the residual risks.
-

## Maintenance

After the operation of the circuit is validated at start-up, the STO function shall be maintained by periodic proof testing. In high demand mode of operation, the maximum proof test interval is 20 years. In low demand mode of operation, the maximum proof test interval is 5 or 2 years; see section *Safety data (page 228)*. It is assumed that all dangerous failures of the STO circuit are detected by the proof test. To perform the proof test, do the *Validation test procedure (page 223)*.

**Note:** See also the Recommendation of Use CNB/M/11.050 (published by the European co-ordination of Notified Bodies) concerning dual-channel safety-related systems with electromechanical outputs:

- When the safety integrity requirement for the safety function is SIL 3 or PL e (cat. 3 or 4), the proof test for the function must be performed at least every month.
- When the safety integrity requirement for the safety function is SIL 2 (HFT = 1) or PL d (cat. 3), the proof test for the function must be performed at least every 12 months.

The STO function of the drive does not contain any electromechanical components.

In addition to proof testing, it is a good practice to check the operation of the function when other maintenance procedures are carried out on the machinery.

Include the Safe torque off operation test described above in the routine maintenance program of the machinery that the drive runs.

If any wiring or component change is needed after start up, or the parameters are restored, do the test given in section *Validation test procedure (page 223)*.

Use only spare parts approved by ABB.

Record all maintenance and proof test activities in the machine logbook.

### ■ Competence

The maintenance and proof test activities of the safety function must be carried out by a competent person with adequate expertise and knowledge of the safety function as well as functional safety, as required by IEC 61508-1 clause 6.

---

## **Fault tracing**

The indications given during the normal operation of the Safe torque off function are selected by drive control program parameter 31.22.

The diagnostics of the Safe torque off function cross-compare the status of the two STO channels. In case the channels are not in the same state, a fault reaction function is performed and the drive trips on an "STO hardware failure" fault. An attempt to use the STO in a non-redundant manner, for example activating only one channel, will trigger the same reaction.

See the firmware manual of the drive control program for the indications generated by the drive, and for details on directing fault and warning indications to an output on the control unit for external diagnostics.

Any failures of the Safe torque off function must be reported to ABB.

---

## Safety data

The safety data for the Safe torque off function is given below.

**Note:** The safety data is calculated for redundant use, and does not apply if both STO channels are not used.

Frame size	SIL/ SILCL	PL	SFF (%)	PFH ( $T_1 = 20$ a) (1/h)	PFD <sub>avg</sub> ( $T_1 = 2$ a)	PFD <sub>avg</sub> ( $T_1 = 5$ a)	MTTF <sub>D</sub> (a)	DC (%)	Cat.	SC	HFT	CCF	$T_M$ (a)
R11	3	e	99.65	3.65E-09	3.20E-05	8.00E-05	18327	≥90	3	3	1	80	20
3AXD10000481168 C													

- The following temperature profile is used in safety value calculations:
  - 670 on/off cycles per year with  $\Delta T = 71.66$  °C
  - 1340 on/off cycles per year with  $\Delta T = 61.66$  °C
  - 30 on/off cycles per year with  $\Delta T = 10.0$  °C
  - 32 °C board temperature at 2.0% of time
  - 60 °C board temperature at 1.5% of time
  - 85 °C board temperature at 2.3% of time.
- The STO is a type B safety component as defined in IEC 61508-2.
- Relevant failure modes:
  - The STO trips spuriously (safe failure)
  - The STO does not activate when requested
  - A fault exclusion on the failure mode “short circuit on printed circuit board” has been made (EN 13849-2, table D.5). The analysis is based on an assumption that one failure occurs at one time. No accumulated failures have been analyzed.
- STO response times:
  - STO reaction time (shortest detectable break): 1 ms
  - STO response time: 2 ms (typical), 30 ms (maximum)
  - Fault detection time: Channels in different states for longer than 200 ms
  - Fault reaction time: Fault detection time + 10 ms
- Indication delays:
  - STO fault indication (parameter 31.22) delay: < 500 ms
  - STO warning indication (parameter 31.22) delay: < 1000 ms

### ■ Abbreviations

Abbr.	Reference	Description
Cat.	EN ISO 13849-1	Classification of the safety-related parts of a control system in respect of their resistance to faults and their subsequent behavior in the fault condition, and which is achieved by the structural arrangement of the parts, fault detection and/or by their reliability. The categories are: B, 1, 2, 3 and 4.
CCF	EN ISO 13849-1	Common cause failure (%)

Abbr.	Reference	Description
DC	EN ISO 13849-1	Diagnostic coverage
HFT	IEC 61508	Hardware fault tolerance
MTTF <sub>D</sub>	EN ISO 13849-1	Mean time to dangerous failure: (Total number of life units) / (Number of dangerous, undetected failures) during a particular measurement interval under stated conditions
PF <sub>D</sub> <sub>avg</sub>	IEC 61508	Average probability of dangerous failure on demand, that is, mean unavailability of a safety-related system to perform the specified safety function when a demand occurs
PFH	IEC 61508	Average frequency of dangerous failures per hour, that is, average frequency of a dangerous failure of a safety related system to perform the specified safety function over a given period of time
PL	EN ISO 13849-1	Performance level. Levels a...e correspond to SIL
SC	IEC 61508	Systematic capability
SFF	IEC 61508	Safe failure fraction (%)
SIL	IEC 61508	Safety integrity level (1...3)
SILCL	IEC/EN 62061	Maximum SIL (level 1...3) that can be claimed for a safety function or subsystem
STO	IEC/EN 61800-5-2	Safe torque off
$T_1$	IEC 61508-6	Proof test interval. $T_1$ is a parameter used to define the probabilistic failure rate (PFH or PFD) for the safety function or subsystem. Performing a proof test at a maximum interval of $T_1$ is required to keep the SIL capability valid. The same interval must be followed to keep the PL capability (EN ISO 13849) valid. See also section Maintenance.
$T_M$	EN ISO 13849-1	Mission time: the period of time covering the intended use of the safety function/device. After the mission time elapses, the safety device must be replaced. Note that any $T_M$ values given cannot be regarded as a guarantee or warranty.

### ■ TÜV certificate

The TÜV certificate is available on the Internet at [www.abb.com/drives/documents](http://www.abb.com/drives/documents).

## ■ Declaration of conformity



### EU Declaration of Conformity

Machinery Directive 2006/42/EC

We

Manufacturer: ABB Oy  
Address: Hiomotie 13, 00380 Helsinki, Finland.  
Phone: +358 10 22 11

declare under our sole responsibility that the following product:

**Frequency converter(s)**  
**ACS880-01/-11/-31**  
**ACS880-04/-04F/-M04/-14/-34**

with regard to the safety function(s)

- Safe Torque Off
- Safe stop 1, Safe stop emergency, Safely-limited speed, Safe maximum speed, Safe brake control, Prevention of unexpected start-up (with FSO-12 option module, +Q973, encoderless)
- Safe stop 1, Safe stop emergency, Safely-limited speed, Safe maximum speed, Safe brake control, Safe speed monitor, Safe direction, Prevention of unexpected start-up (with FSO-21 and FSE-31 option modules, +Q972 and +L521, encoder supported)
- Safe motor temperature (with FPTC-01 thermistor protection module, +L536)
- Safe stop 1 (SS1-t, with FSPS-21 PROFIsafe module, +Q986)

is/are in conformity with all the relevant safety component requirements of EU Machinery Directive 2006/42/EC, when the listed safety function is used for safety component functionality.

The following harmonized standards have been applied:

EN 61800-5-2:2007	Adjustable speed electrical power drive systems – Part 5-2: Safety requirements - Functional
EN 62061:2005 + AC:2010 + A1:2013 + A2:2015	Safety of machinery – Functional safety of safety-related electrical, electronic and programmable electronic control systems
EN ISO 13849-1:2015	Safety of machinery – Safety-related parts of control systems. Part 1: General requirements
EN ISO 13849-2:2012	Safety of machinery – Safety-related parts of the control systems. Part 2: Validation
EN 60204-1:2018	Safety of machinery – Electrical equipment of machines – Part 1: General requirements

The following other standards have been applied:

IEC 61508:2010, parts 1-2	Functional safety of electrical / electronic / programmable electronic safety-related systems
IEC 61800-5-2:2016	Adjustable speed electrical power drive systems – Part 5-2: Safety requirements - Functional

The product(s) referred in this Declaration of conformity fulfil(s) the relevant provisions of other European Union Directives which are notified in Single EU Declaration of conformity 3AXD10000497831.

Person authorized to compile the technical file:  
Name and address: Jussi Vesti, Hiomotie 13, 00380 Helsinki, Finland.

Helsinki, 20.10.2020  
Signed for and on behalf of:

  
Tuomo Tarula  
Vice president, ABB

  
Vesa Tuomainen  
Product Engineering manager, ABB

Document number 3AXD10000099646

# 21

## Resistor braking

---

### Contents of this chapter

This chapter describes how to select, protect and wire brake choppers and resistors. The chapter also contains the technical data.

### Operation principle and hardware description

Brake choppers and resistors are available as add-on kits for the drive modules.

The brake chopper handles the energy generated by a decelerating motor. The extra energy increases the DC link voltage. The chopper connects the brake resistor to the intermediate DC circuit whenever the voltage in the circuit exceeds the limit defined by the control program. Energy consumption by the resistor losses lowers the voltage until the resistor can be disconnected.

### Planning the braking system

#### ■ **Selecting the default brake circuit components - ABB chopper and ABB resistor**

1. Calculate the maximum power generated by the motor during braking and define the braking cycle.
  2. Select a drive according to motor load cycle considering also the braking cycle. See the drive ratings.
-

3. See the pre-selected chopper and the pre-selected resistor for the drive from the technical data of the ABB brake choppers and resistors.
4. Check the pre-selection of the chopper and resistor: Is your braking cycle 1/5 min or 10/60 s?
  - a. If yes: Is your braking power smaller than the value for the cycle given in the ratings of the ABB resistors? If yes: the pre-selected chopper and resistor combination is ok for the drive.
  - b. If no: Verify the pre-selected chopper and resistor according to the instructions given in section *Calculating the maximum allowed braking power for a custom duty cycle – ABB chopper and ABB resistor (page 232)*.

### ■ Calculating the maximum allowed braking power for a custom duty cycle – ABB chopper and ABB resistor

The maximum allowed braking power for the customer braking cycle must meet both of the conditions 1 and 2 below.

1. The braking power of the custom duty cycle must not be greater than the maximum braking power given in the ratings of the ABB choppers and resistors.

$$P_{br} \leq P_{br,max}$$

2. The braking energy transferred during any 600-second period must be smaller than or equal to the energy that is transferred during the reference braking cycle of 40 seconds every 600 seconds:

$$n \times P_{br} \times t_{br} \leq P_{br,max} \times 40 \text{ s}$$

where

n	Number of the braking pulses during the 600-second period
$P_{br}$	Braking power of the custom duty cycle in kW
$t_{br}$	Braking time within the custom duty cycle in seconds
$P_{br,max}$	Maximum braking power allowed for 40 seconds every 600 seconds. See the value in the ratings of the ABB choppers and resistors. (The ABB resistor does not withstand the 60-second cycle of the brake chopper.)

### Example

Drive: ACS880-34-585A-3 with  $P_N$  of 315 kW. Chopper: NBRA-659. ABB resistor: 2xSAFUR180F460. The braking power is 300 kW. The duration of a braking cycle ( $T$ ) is three minutes -> number of braking pulses in 600 seconds = 3.3. The braking time ( $t_{br}$ ) is 30 seconds.

1.  $P_{br} = 300 \text{ kW} < P_{br,max} = 355 \text{ kW}$ . This is ok.
2.  $3.3 \times 300 \text{ kW} \times 30 \text{ s} = 29700 \text{ kJ}$ .  $355 \text{ kW} \times 40 \text{ s} = 14200 \text{ kJ}$  which is not greater than 29700 kJ. -> Decrease the braking power to smaller than 143 kW or braking time to 14 s.



■ **Selecting the default brake circuit components - ABB brake chopper and custom resistor**

1. Calculate the maximum power generated by the motor during braking and define the braking cycle.
  2. Select a drive and brake chopper combination. The reference braking cycle is 60 seconds in every 600 seconds.
  3. Verify the selection. See section *Calculating the maximum allowed braking power for a custom duty cycle – ABB chopper and custom resistor (page 235)*. If necessary, repeat the pre-selection and verification until you find a suitable drive and chopper combination.
  4. Select a custom brake resistor. See *Selecting custom resistors (page 234)*.
-

## Selecting custom resistors

If you use other than ABB resistor,

1. make sure that the resistance of the custom resistor is greater or equal than the resistance of the default resistor in the ratings of the custom resistors:

$$R \geq R_{min}$$

where,

$R$	Resistance of the custom resistor
$R_{min}$	Resistance of the default resistor



### WARNING!

Never use a brake resistor with a resistance smaller than  $R_{min}$ . This will cause overcurrent that will damage the brake chopper and the drive.

2. the resistance of the custom resistor does not restrict the braking capacity needed, ie.

$$P_{max} < \frac{U_{DC}^2}{R}$$

where,

$P_{max}$	Maximum power generated by the motor during braking
$U_{DC}$	Drive intermediate DC circuit voltage 1.35 · 1.25 · 415 V DC (when supply voltage is 380 to 415 V AC) 1.35 · 1.25 · 500 V DC (when supply voltage is 440 to 500 V AC) or 1.35 · 1.25 · 690 V DC (when supply voltage is 525 to 690 V AC)
$R$	Resistance of the custom resistor

3. make sure that the resistor can dissipate the energy transferred to it during the braking:
  - Braking energy is not greater than the resistor heat dissipation capacity ( $E_r$ ) during the period specified. See the custom resistor specification.
  - The resistor is installed in a properly ventilated and cooled space. Otherwise the resistor cannot meet its heat dissipation capacity and overheats.

4. make sure that the instantaneous load capacity of the custom resistor is greater than the maximum power taken by the the resistor when it is connected to the drive intermediate DC circuit by the chopper

$$P_{R,inst} > \frac{U_{DC}^2}{R}$$

where,

$P_{R,inst}$	Instantaneous load capacity of the custom resistor
$U_{DC}$	Drive intermediate DC circuit voltage 1.35 · 1.25 · 415 V DC (when supply voltage is 380 to 415 V AC) 1.35 · 1.25 · 500 V DC (when supply voltage is 440 to 500 V AC) or 1.35 · 1.25 · 690 V DC (when supply voltage is 525 to 690 V AC)
$R$	Resistance of the custom resistor

### ■ Calculating the maximum allowed braking power for a custom duty cycle – ABB chopper and custom resistor

The maximum allowed braking power for the customer braking cycle must meet both of the conditions 1 and 2 below.

1. The braking power of the custom duty cycle must not be greater than the maximum braking power given in the ratings of the factory-installed brake choppers and custom resistors:

$$P_{br} \leq P_{br,max}$$

2. The braking energy transferred during any 600-second period must be smaller than or equal to the energy that is transferred during the reference braking cycle of 60 seconds every 600 seconds:

$$n \times P_{br} \times t_{br} \leq P_{br,max} \times 60 \text{ s}$$

where,

$n$  Number of the braking pulses during the 600-second period

$P_{br}$  Braking power of the custom duty cycle in kW

$t_{br}$  Braking time within the custom duty cycle in seconds

$P_{br,max}$  Maximum braking power allowed for 60 seconds every 600 seconds. See the value in the ratings of the factory-installed brake choppers and custom resistors.

#### Example 1

The duration of a braking cycle is three minutes. The braking time is 15 minutes.

$$1. P_{br} \leq P_{br,max}$$

$$2. n \times P_{br} \times t_{br} \leq P_{br,max} \times 60 \text{ s}$$

$$1 \times P_{br} \times 600 \text{ s} \leq P_{br,max} \times 60 \text{ s}$$

$$P_{br} \leq P_{br,max} \times 60/600 \text{ s} = 0.1 \times P_{br,max}$$

-> The allowed continuous braking power is 10% of the maximum braking power ( $P_{br,max}$ ).

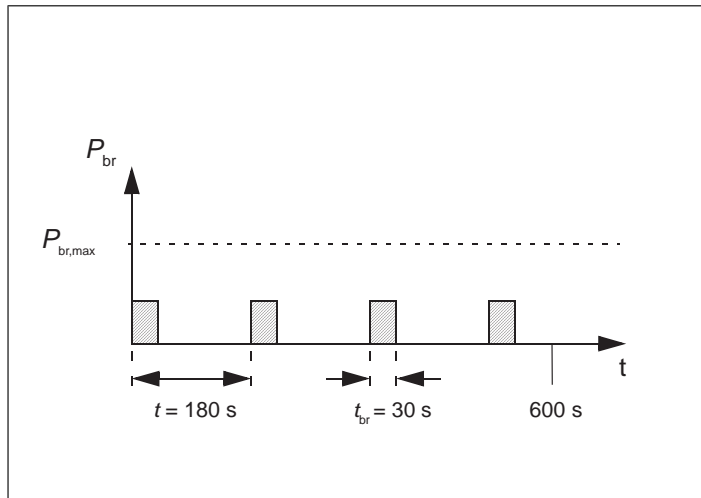
This fulfills also condition 1.

#### Example 2

The duration of a braking cycle ( $T$ ) is three minutes =  $3 \times 60 \text{ s} = 180 \text{ s}$ . The braking time ( $t_{br}$ ) is 30 seconds.

$$1. P_{br} \leq P_{br,max}$$

$$2. P_{br} \leq (P_{br,max} \times 60 \text{ s}) / (4 \times 30 \text{ s}) = 0.5 \times P_{br,max}$$



-> The maximum allowed braking power for the cycle is 50% of the rated value given for the reference cycle. This fulfills also condition 1.

### ■ Selecting and routing brake resistor cables

Use the same cable type for the resistor cabling as for the drive input cabling to ensure that the input fuses also protect the resistor cable. Alternatively, a two conductor shielded cable with the same cross-sectional area can be used.

### Minimizing electromagnetic interference

Obey these rules in order to minimize electromagnetic interference caused by the rapid current changes in the resistor cables:

- Shield the braking power line completely, either by using shielded cable or a metallic enclosure. Unshielded single-core cable can only be used if it is routed inside a cabinet that efficiently suppresses the radiated emissions.
- Install the cables away from other cable routes.
- Avoid long parallel runs with other cables. The minimum parallel cabling separation distance is 0.3 meters (1 ft).
- Cross the other cables at 90 degree angles.
- Keep the cable as short as possible in order to minimize the radiated emissions and stress on chopper IGBTs. The longer the cable the greater the radiated emissions, inductive load and voltage peaks over the IGBT semiconductors of the brake chopper.

**Note:** ABB has not verified that the EMC requirements are fulfilled with custom brake resistors and cabling. The customer must consider the EMC compliance of the complete installation.

### Maximum cable length

The maximum length of the resistor cable(s) is 10 m (33 ft).

### Placing the brake resistor

Install the resistor assembly outside the drive in a place where it is able to cool effectively. Arrange the cooling of the resistor in a way that:

- no danger of overheating is caused to the resistor or nearby materials, and
- the temperature of the room the resistor is located in does not exceed the allowed maximum.

Supply the resistor with cooling air or coolant according to the resistor manufacturer's instructions.



**WARNING!**

The materials near the brake resistor must be non-flammable. The surface temperature of the resistor is high. Air flowing from the resistor is of hundreds of degrees Celsius. If the exhaust vents are connected to a ventilation system, make sure that the material withstands high temperatures. Protect the resistor against contact.

---

**Protecting the system against thermal overload**

The brake chopper protects itself and the resistor cables against thermal overload when the cables are dimensioned according to the nominal current of the drive. The drive control program includes a resistor and resistor cable thermal protection function which can be tuned by the user. See the firmware manual.

ABB requires that the resistor has a thermal switch (standard in ABB resistors) which is wired to the chopper for safety reasons. The thermal switch cable must be shielded and may not be longer than the resistor cable.

**Protecting the resistor cable against short-circuits**

The DC fuses for the brake chopper protection protect also the resistor cable against short-circuits.

**Mechanical installation of resistors**

All brake resistors must be installed outside the drive. Obey the resistor manufacturer's instructions.

**Electrical installation**

■ **Measuring the insulation of the brake resistor circuit**

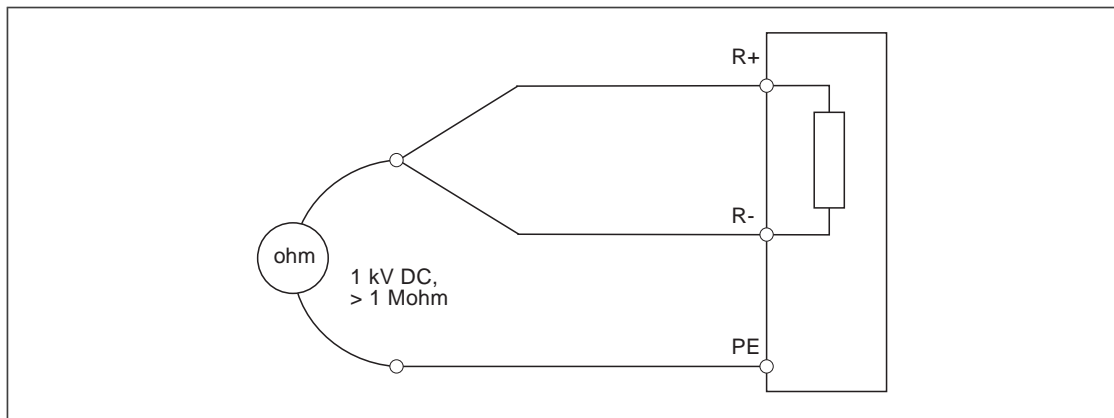


**WARNING!**

Obey the safety instructions of the drive. If you ignore them, injury or death, or damage to the equipment can occur. If you are not a qualified electrical professional, do not do installation or maintenance work.

---

1. Stop the drive and do the steps in section *Electrical safety precautions (page 18)* before you start the work.
2. Make sure that the resistor cable is connected to the resistor and disconnected from the drive output terminals.
3. At the drive end, connect the R+ and R- conductors of the resistor cable together. Measure the insulation resistance between the conductors and the PE conductor with a measuring voltage of 1000 V DC. The insulation resistance must be more than 1 Mohm.

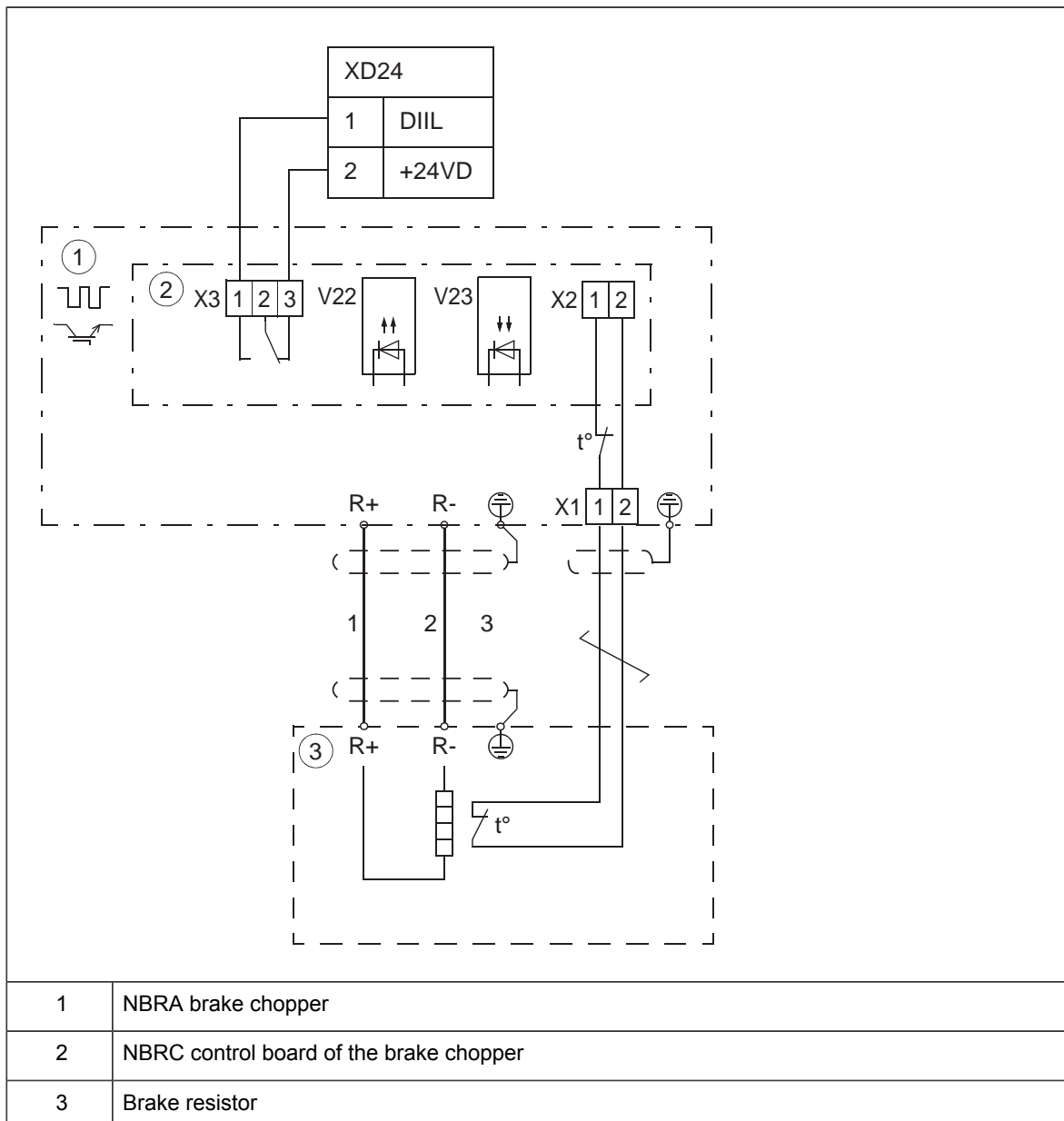


### ■ Connection diagram

See section *Connecting the power cables (page 101)*.

### ■ Connection procedure

- Connect the brake chopper via fuses to drive module terminals UDC+ and UDC-.
- Connect the resistor cables to the brake chopper terminals. If a shielded three-conductor cable with shield conductivity good enough for the protective earth (ground) conductor is used, cut the third conductor. If the shield conductivity is not good enough, use the third conductor as the PE conductor. Ground the twisted shield of the cable (protective earth conductor of the resistor assembly) as well as any separate PE conductor (if present) at both ends.
- Wire the thermal switch to the chopper enable input X1. Connect the fault indication relay output X3 on the chopper control board to digital input DIIL (XD2D:1) of the drive. In ACS880 primary control program, digital input DIIL is configured to parameter 20.12 Run enable 1 source by default. Parameter 20.11 Run enable stop mode is set to Coast. Any temperature failure in resistor or chopper cabinet will stop the drive (motor-side converter). It is not possible to start the drive while the chopper fault indication is on.

**WARNING!**

Input terminal block X1 of the brake chopper is at intermediate circuit potential of the drive. This voltage is extremely dangerous and can cause serious damage or injury if the isolation level and protection conditions for the thermal switches are not sufficient. Insulate the thermal switches correctly (over 2.5 kV) and shroud them against contact. Use a cable with correct voltage rating.

**Start-up**

Set the following parameters (ACS880 primary control program): Make sure that

- parameter 30.30 Overvoltage control is disabled.

You can activate and configure an additional thermal protection function for the chopper and resistor. See the firmware manual.

**Note:** Some brake resistors are coated with oil film for protection. At the start-up, the coating burns off and produces a little bit of smoke. Make sure there is sufficient ventilation at the start-up.

## Technical data

### ■ Ratings

#### ABB brake chopper and DC fuse ratings

This table shows the ratings, fuses and minimum brake resistors for the ABB default brake choppers of the drive.

ACS880-34-...	Fuses			Cable (chopper -drive)	Brake chopper			
	A	Manufac- turer	Type		Type	$P_{br,max}$	$I_{max}$	$R_{min}$
				mm <sup>2</sup>	A	kW	A	ohm
$U_n = 400\text{ V}$								
246A-3	400	Bussmann	170M5142	70	NBRA-658	230	345	1.7
293A-3	630	Bussmann	170M8635	120	NBRA-659	355	532	1.2
363A-3	630	Bussmann	170M8635	120	NBRA-659	355	532	1.2
442A-3	630	Bussmann	170M8635	120	NBRA-659	355	532	1.2
505A-3	630	Bussmann	170M8635	120	NBRA-659	355	532	1.2
585A-3	630	Bussmann	170M8635	120	NBRA-659	355	532	1.2
650A-3	630	Bussmann	170M8635	120	NBRA-659	355	532	1.2
$U_n = 500\text{ V}$								
240A-5	400	Bussmann	170M5142	70	NBRA-658	268	334	2
260A-5	630	Bussmann	170M8635	120	NBRA-659	403	502	1
302A-5	630	Bussmann	170M8635	120	NBRA-659	403	502	1
361A-5	630	Bussmann	170M8635	120	NBRA-659	403	502	1
414A-5	630	Bussmann	170M8635	120	NBRA-659	403	502	1
460A-5	630	Bussmann	170M8635	120	NBRA-659	403	502	1
503A-5	630	Bussmann	170M8635	120	NBRA-659	403	502	1
$U_n = 500\text{ V}$								
142A-7	400	Bussmann	170M5142	120	NBRA-669	403	364	1
174A-7	400	Bussmann	170M5142	120	NBRA-669	403	364	1
210A-7	400	Bussmann	170M5142	120	NBRA-669	403	364	1
271A-7	400	Bussmann	170M5142	120	NBRA-669	403	364	1
330A-7	400	Bussmann	170M5142	120	NBRA-669	403	364	1
370A-7	400	Bussmann	170M5142	120	NBRA-669	403	364	1
430A-7	400	Bussmann	170M5142	120	NBRA-669	403	364	1
3AXD00000588487								

$U_n$  Nominal voltage of the drive

$P_{br,max}$  Maximum braking power allowed for 60 seconds every 600 seconds.

$I_{max}$  Maximum current



## ABB brake resistor ratings

This table shows the ratings for the optional default brake resistors and example duty cycles. (For other duty cycles, see section [Calculating the maximum allowed braking power for a custom duty cycle – ABB chopper and ABB resistor \(page 232\)](#).) Cubicle width 800 mm.

ACS880-34-...	Brake resistor type	Ratings		Cable (chopper –resistor)	Duty cycle (10/60 s)		Duty cycle (1/5 min)	
		R	$P_{br,cont}$		$P_{br}$	$I_{rms}$	$P_{br}$	$I_{rms}$
		ohm	kW		kW	A	kW	A
$U_n = 400\text{ V}$								
246A-3	2×SAFUR210F575	1.7	42	2×2 (70 mm <sup>2</sup> )	224	336	130	195
293A-3	2×SAFUR180F460	1.2	60	2×2 (70 mm <sup>2</sup> )	287	430	167	250
363A-3	2×SAFUR180F460	1.2	60	2×2 (70 mm <sup>2</sup> )	287	430	167	250
442A-3	2×SAFUR180F460	1.2	60	2×2 (70 mm <sup>2</sup> )	287	430	167	250
505A-3	2×SAFUR180F460	1.2	60	2×2 (70 mm <sup>2</sup> )	287	430	167	250
585A-3	2×SAFUR180F460	1.2	60	2×2 (70 mm <sup>2</sup> )	287	430	167	250
650A-3	2×SAFUR180F460	1.2	60	2×2 (70 mm <sup>2</sup> )	287	430	167	250
$U_n = 500\text{ V}$								
240A-5	2×SAFUR125F500	2	36	2×2 (70 mm <sup>2</sup> )	192	239	111	138
260A-5	2×SAFUR200F500	1	54	2×2 (70 mm <sup>2</sup> )	287	357	167	208
302A-5	2×SAFUR200F500	1	54	2×2 (70 mm <sup>2</sup> )	287	357	167	208
361A-5	2×SAFUR200F500	1	54	2×2 (70 mm <sup>2</sup> )	287	357	167	208
414A-5	2×SAFUR200F500	1	54	2×2 (70 mm <sup>2</sup> )	287	357	167	208
460A-5	2×SAFUR200F500	1	54	2×2 (70 mm <sup>2</sup> )	287	357	167	208
503A-5	2×SAFUR200F500	1	54	2×2 (70 mm <sup>2</sup> )	287	357	167	208
$U_N = 500\text{ V}$								
142A-7	2×SAFUR200F500	1	54	2×2 (70 mm <sup>2</sup> )	287	259	167	151
174A-7	2×SAFUR200F500	1	54	2×2 (70 mm <sup>2</sup> )	287	259	167	151
210A-7	2×SAFUR200F500	1	54	2×2 (70 mm <sup>2</sup> )	287	259	167	151
271A-7	2×SAFUR200F500	1	54	2×2 (70 mm <sup>2</sup> )	287	259	167	151
330A-7	2×SAFUR200F500	1	54	2×2 (70 mm <sup>2</sup> )	287	259	167	151
370A-7	2×SAFUR200F500	1	54	2×2 (70 mm <sup>2</sup> )	287	259	167	151
430A-7	2×SAFUR200F500	1	54	2×2 (70 mm <sup>2</sup> )	287	259	167	151
3AXD00000588487								

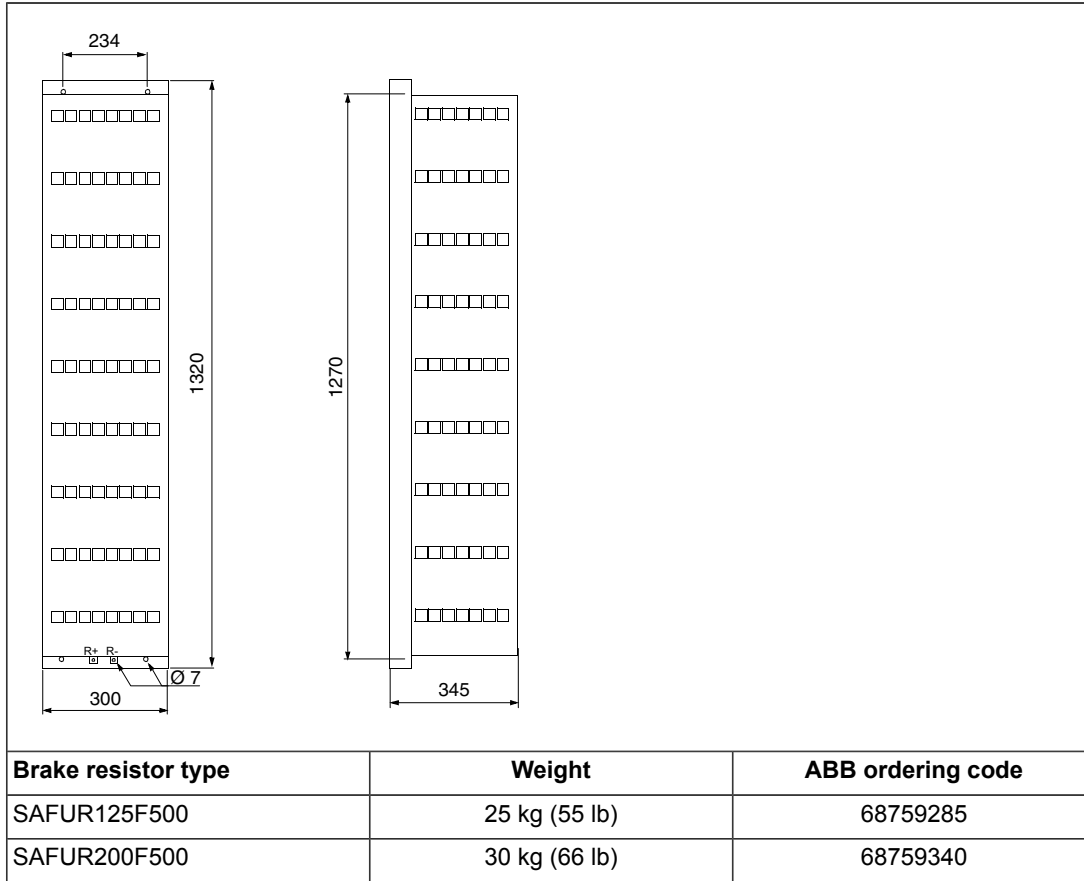
- $U_n$  Nominal voltage of the drive  
 $R$  Resistance of specified resistors.  
 $P_{br,cont}$  Maximum continuous braking power.  
 $P_{br}$  Braking power for the specified duty cycle  
 $I_{rms}$  rms current for the specified duty cycle

The ratings apply at an ambient temperature of 40 °C (104 °F).

■ **ABB resistors (SAFUR) - additional data**

The degree of protection of SAFUR resistors is IP00. The resistors are not UL listed. The thermal time constant of the resistors is 555 seconds.

**Dimensions, weights and ordering codes**



■ **Brake chopper types and ordering codes**

Brake chopper type	ABB ordering code
NBRA-658	59006428
NBRA-659	59006436
NBRA-669	59012517

■ **Terminals and cable entry data**

See section *Terminal and entry data for the power cables (page 191)*.

# 22

## Filters

### Contents of this chapter

This chapter describes how to select  $du/dt$  and sine filters for the drive.

#### $du/dt$ filters

- **When is a  $du/dt$  filter necessary?**

See section [Examining the compatibility of the motor and drive \(page 76\)](#).

- **Selection table**

$du/dt$  filter types for the drive modules are given below.

ACS880-34-...	$du/dt$ filter type	ACS880-34-...	$du/dt$ filter type	ACS880-34-...	$du/dt$ filter type
$U_n = 400\text{ V}$		$U_n = 500\text{ V}$		$U_n = 690\text{ V}$	
246A-3	FOCH0260-7x	240A-5	FOCH0260-7x	142A-7	FOCH0260-7x
293A-3	FOCH0260-7x	260A-5	FOCH0260-7x	174A-7	FOCH0260-7x
363A-3	FOCH0320-5x	302A-5	FOCH0320-5x	210A-7	FOCH0260-7x
442A-3	FOCH0320-5x	361A-5	FOCH0320-5x	271A-7	FOCH0260-7x
505A-3	FOCH0610-7x	414A-5	FOCH0320-5x	330A-7	FOCH0610-7x
585A-3	FOCH0610-7x	460A-5	FOCH0320-5x	370A-7	FOCH0610-7x
650A-3	FOCH0610-7x	503A-5	FOCH0610-7x	430A-7	FOCH0610-7x

- **Ordering codes**

Filter type	Degree of protection	ABB ordering code
FOCH0320-50	IP00	68612209
FOCH0320-52	IP22	3AXD50000030047

Filter type	Degree of protection	ABB ordering code
FOCH0260-70	IP00	68490308
FOCH0260-72	IP22	3AXD50000030048
FOCH0610-70	IP00	68550505

### ■ Description, installation and technical data of the FOCH filters

See *FOCH du/dt filters hardware manual* (3AFE68577519 [English]).

## Sine filters

### ■ When is a sine filter necessary?

See section *Examining the compatibility of the motor and drive* (page 76).

### ■ Selection table

Sine filter types for the drive modules are given below.

ACS880-34-...	Sine filter type	ACS880-34-...	Sine filter type	ACS880-34-...	Sine filter type
$U_n = 400 \text{ V}$		$U_n = 500 \text{ V}$		$U_n = 690 \text{ V}$	
246A-3	B84143V0230S229	240A-5	B84143V0230S229	142A-7	B84143V0130S230
293A-3	B84143V0390S229	260A-5	B84143V0230S229	174A-7	B84143V0207S230
363A-3	B84143V0390S229	302A-5	B84143V0390S229	210A-7	B84143V0207S230
442A-3	B84143V0390S229	361A-5	B84143V0390S229	271A-7	B84143V0207S230
505A-3	NSIN0900-6	414A-5	B84143V0390S229	330A-7	NSIN0485-6
585A-3	NSIN0900-6	460A-5	NSIN0485-6	370A-7	NSIN0485-6
650A-3	NSIN0900-6	503A-5	NSIN0900-6	430A-7	NSIN0485-6
3AXD00000588487					

### ■ ABB ordering codes

Filter type	ABB ordering code
NSIN0485-6	64254936
NSIN0900-6	64254961

### ■ Derating

See section *Deratings for special settings in the drive control program*.

### ■ Description, installation and technical data of the sine filters

See *Sine filters hardware manual* (3AXD50000016814 [English]) and manufacturer's site on the Internet: <https://en.tdk.eu/tdk-en/1029890/products/product-catalog/emccomponents/output-filters--epcos->.

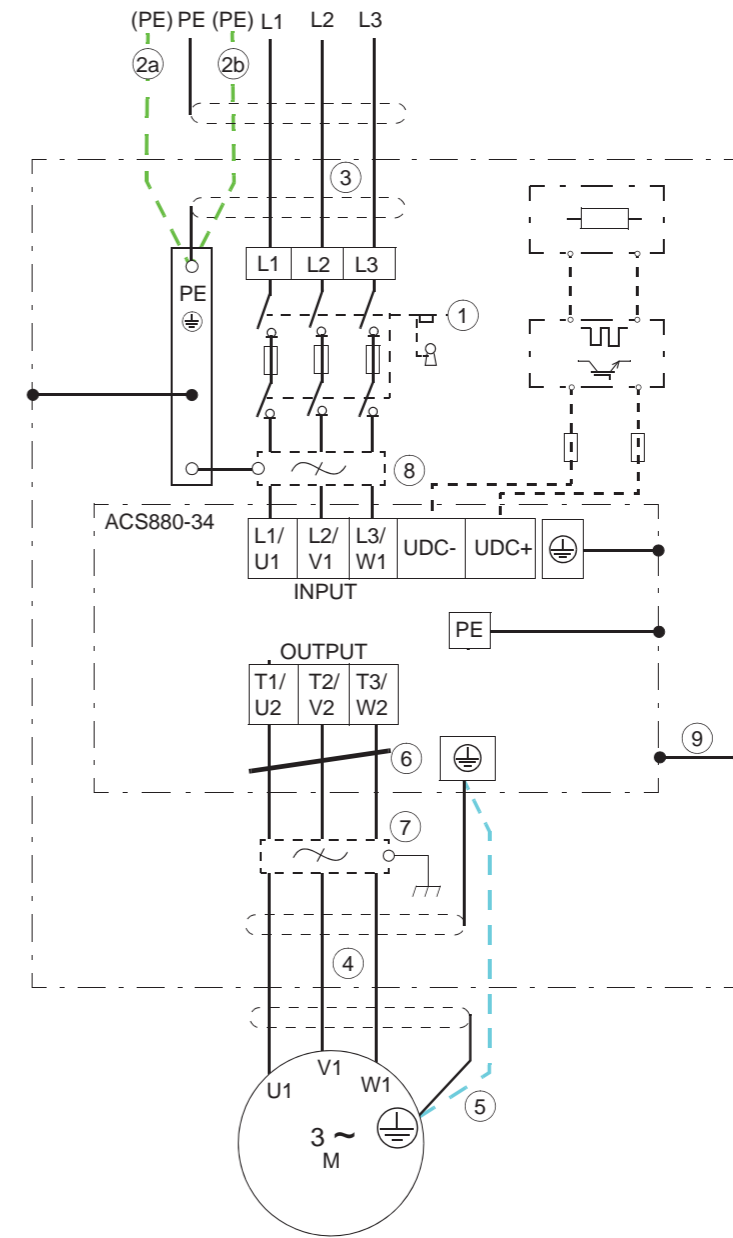
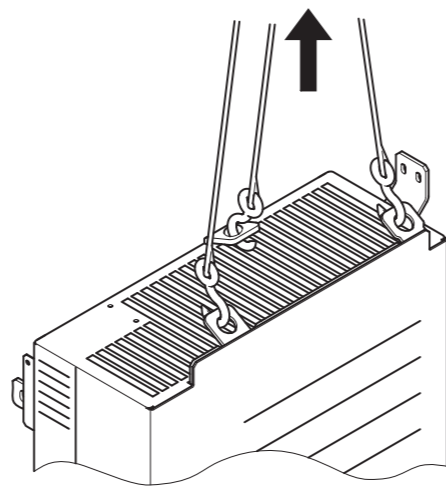
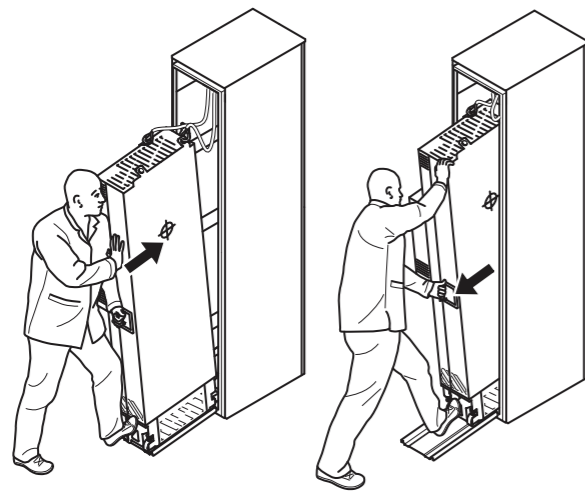
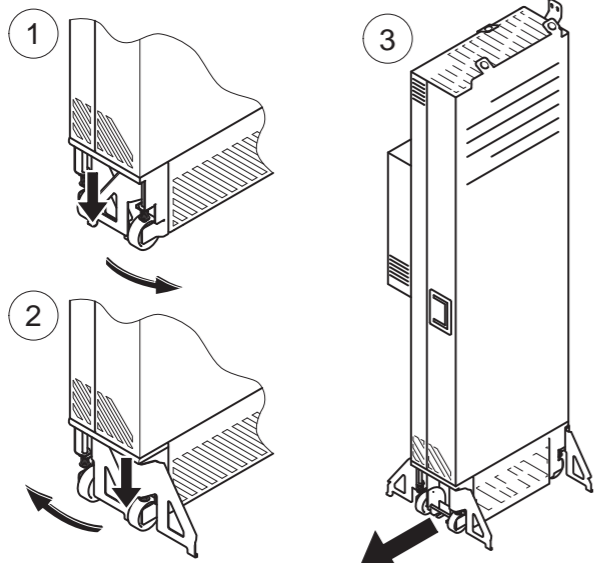
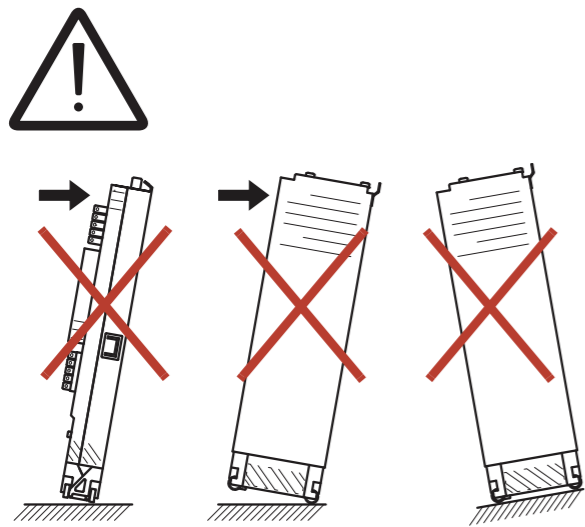
## 23. Step-by-step drawings for an installation example of standard drive configuration in Rittal VX25 800 mm wide enclosure

---

See:

- *Handling the drive module, power cable connection diagram (page 245)*
- *Installing the drive module and LCL filter module into a Rittal VX25 enclosure (page 247)*
- *Connecting the motor cables and installing the shrouds (page 252)*
- *Connecting the input power cables and installing the shrouds (page 255)*
- *Installing the air baffles and removing the cardboard covers (page 256)*

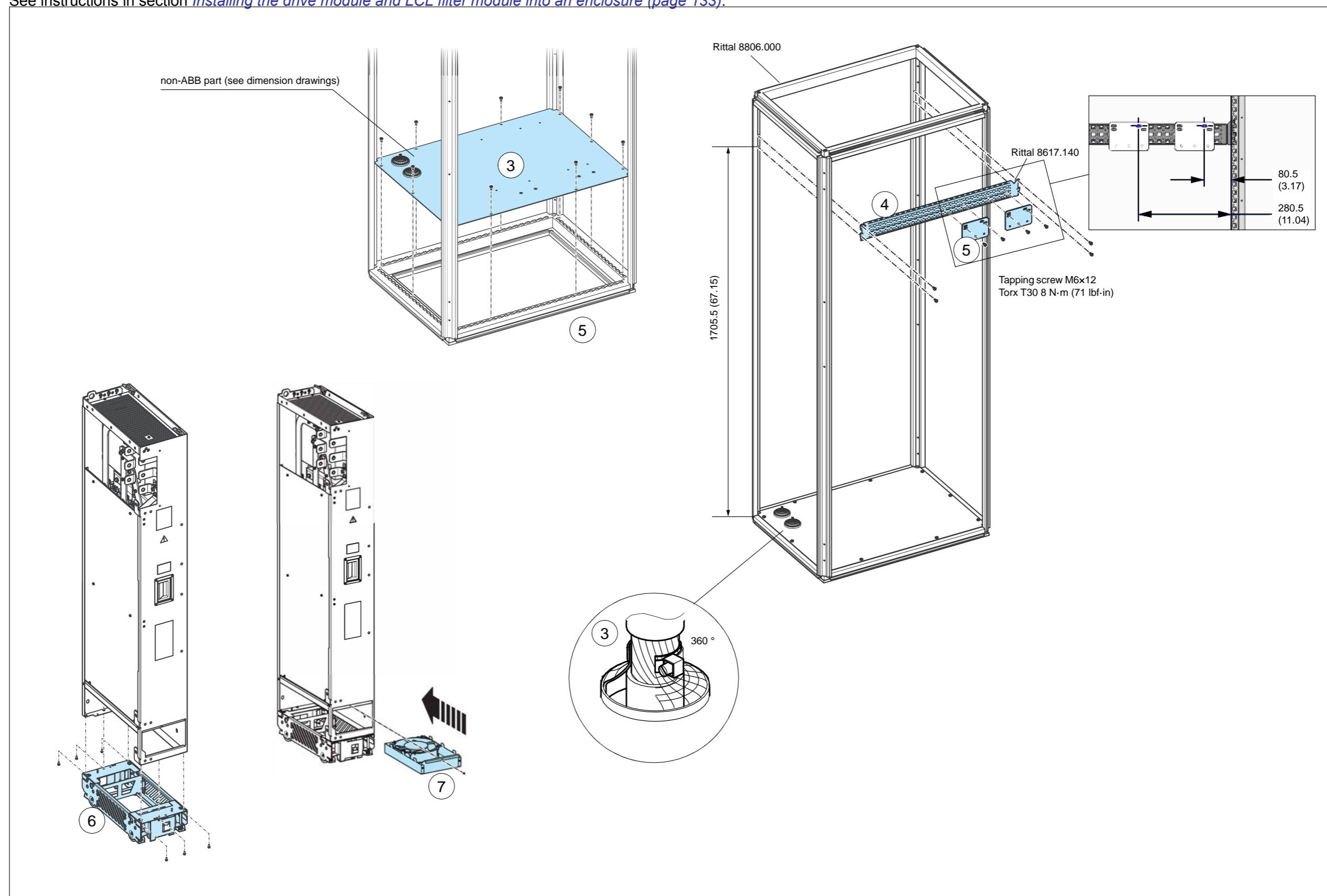
### Handling the drive module, power cable connection diagram

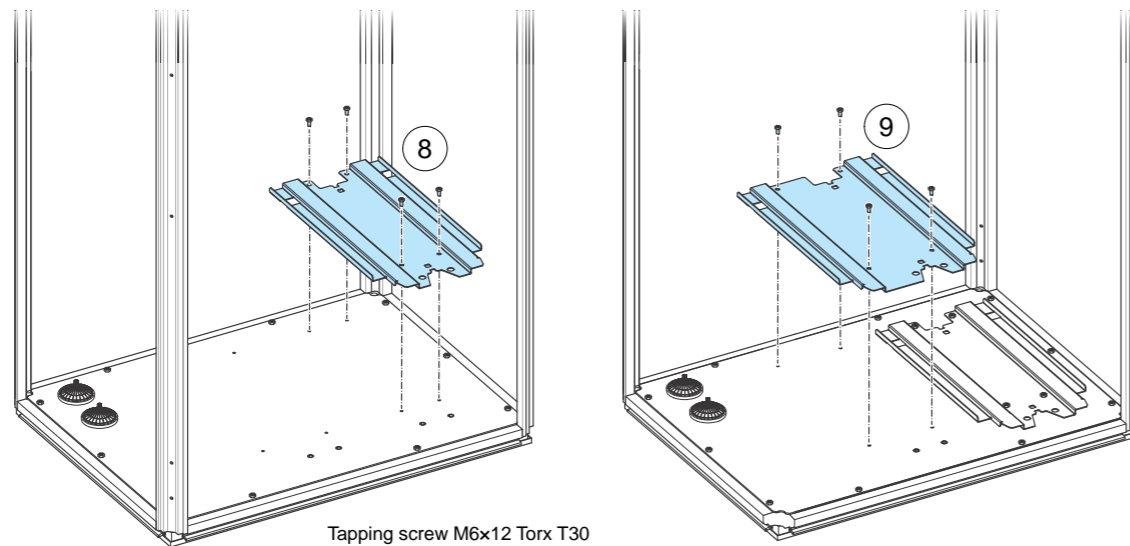


**WARNING!** The UDC+ and UDC- terminals of the drive module must not be used for any other than optional external brake chopper connection.

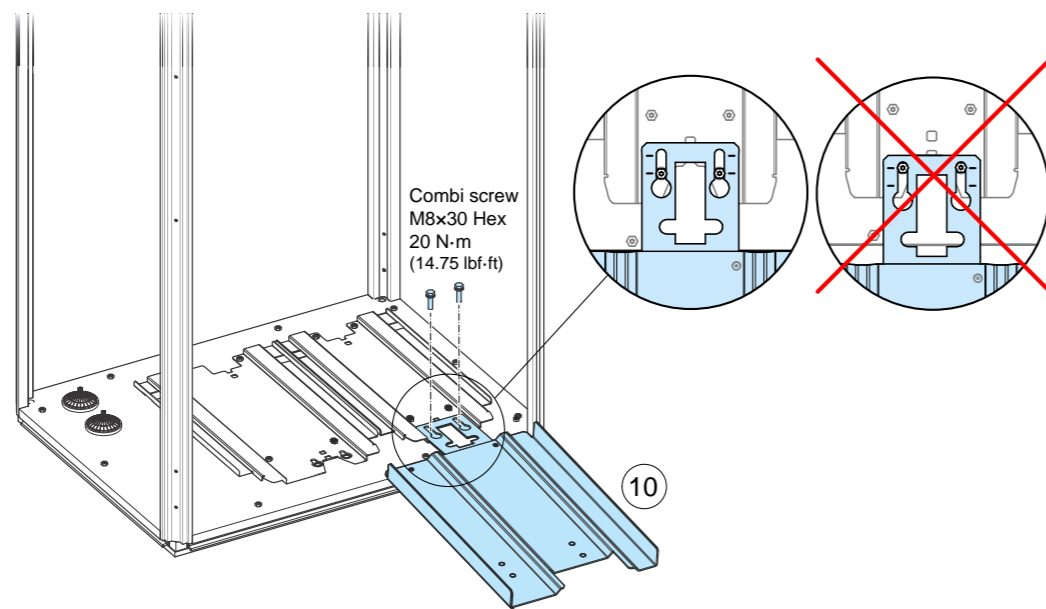
## Installing the drive module and LCL filter module into a Rittal VX25 enclosure

See instructions in section [Installing the drive module and LCL filter module into an enclosure \(page 133\)](#).

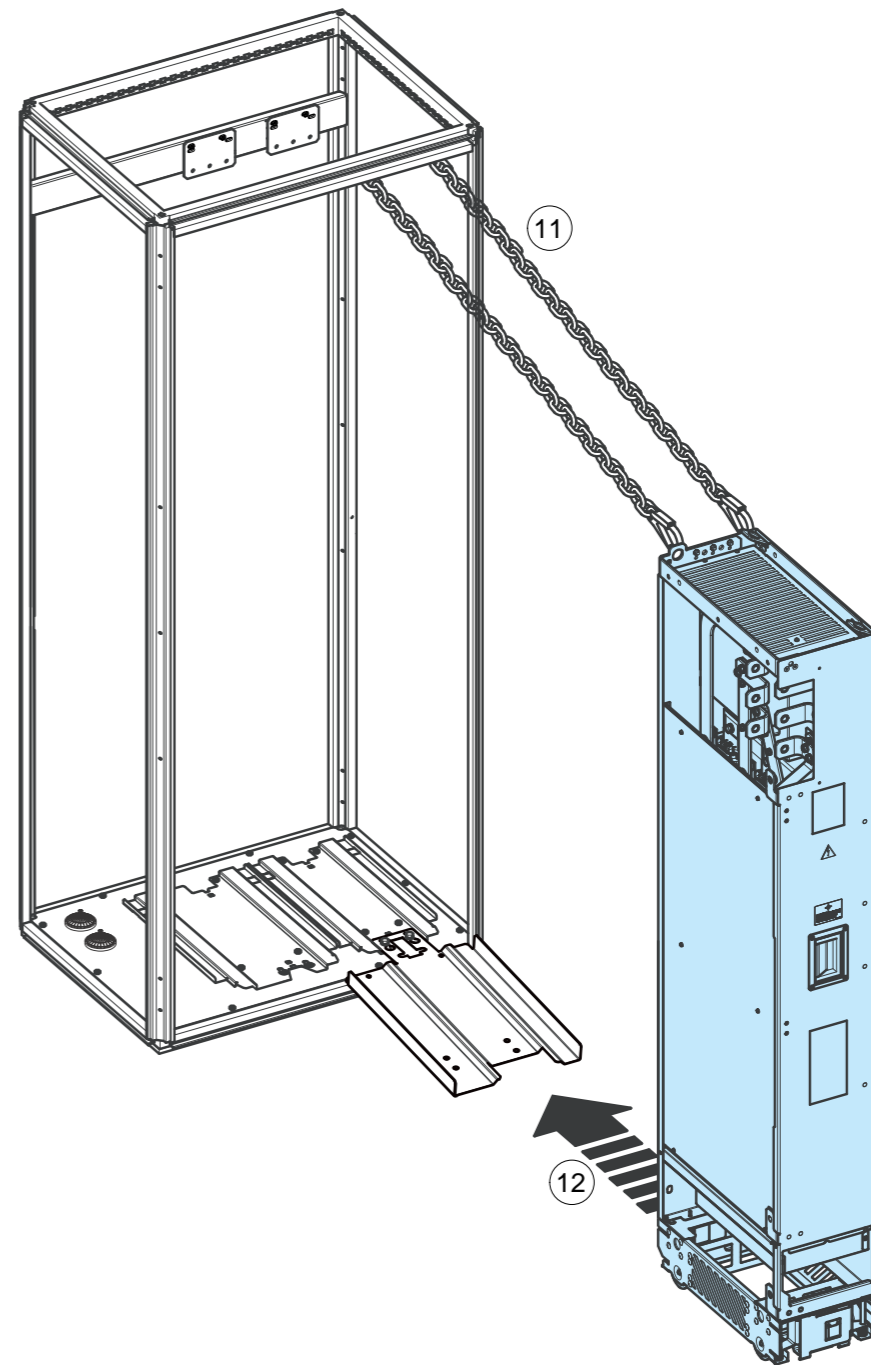




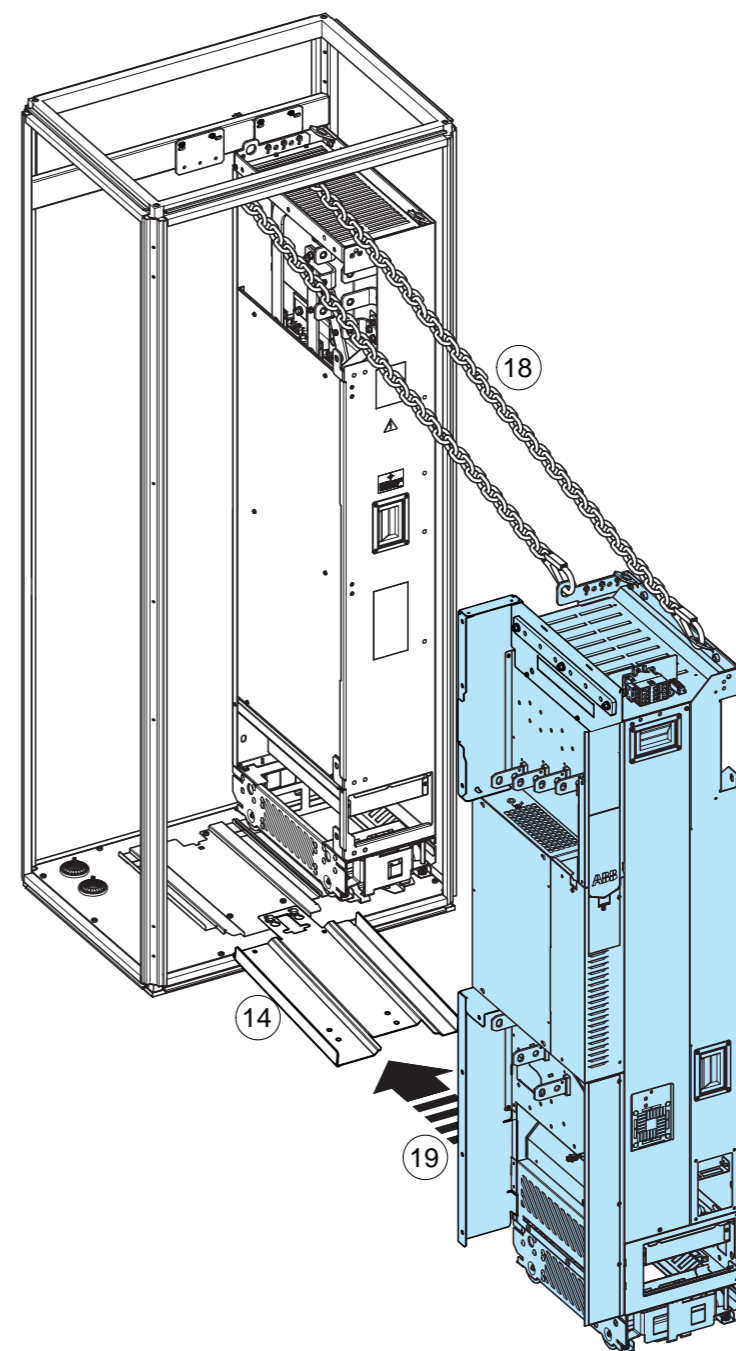
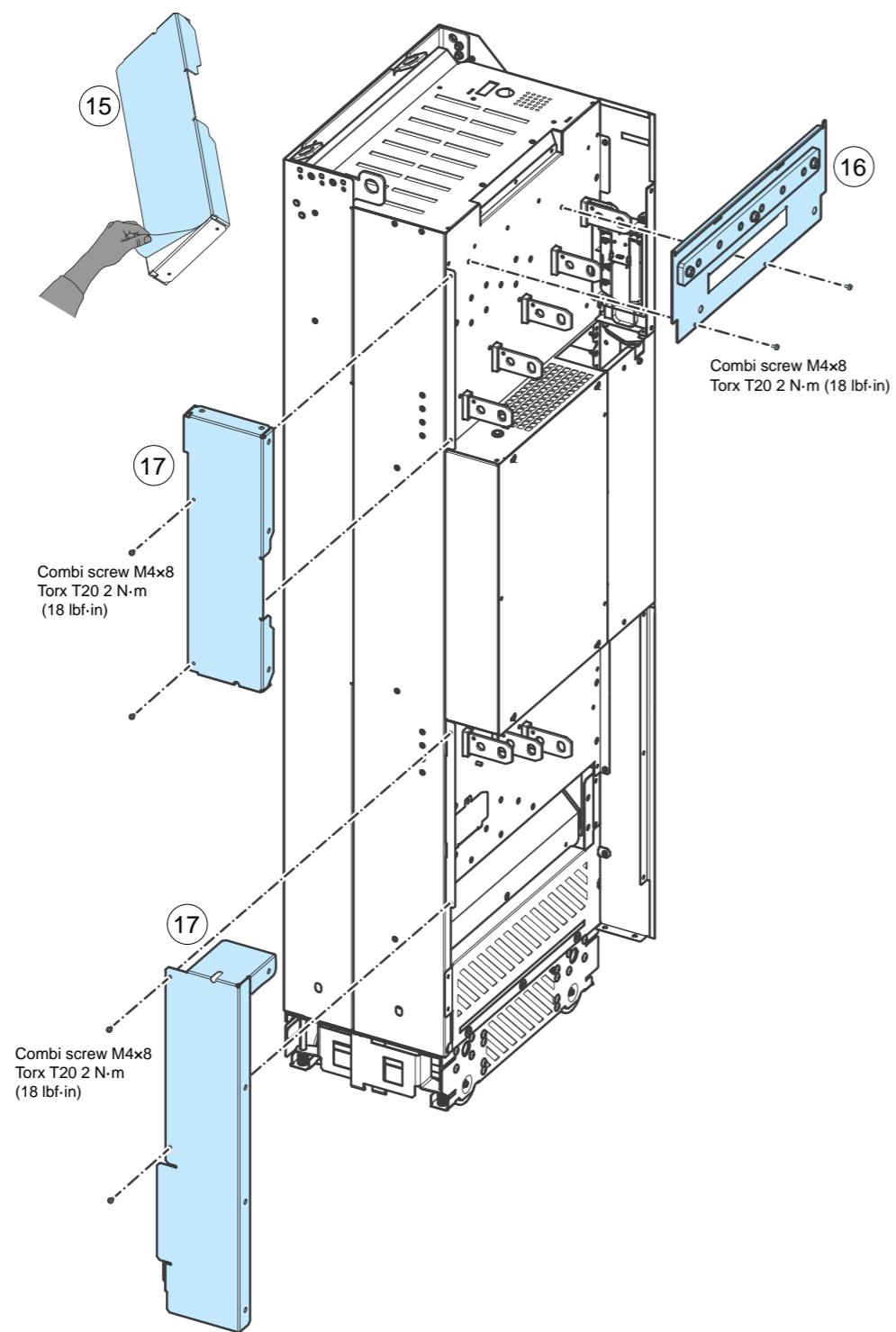
Tapping screw M6x12 Torx T30  
(Hex) 8 N·m (71 lbf-in)

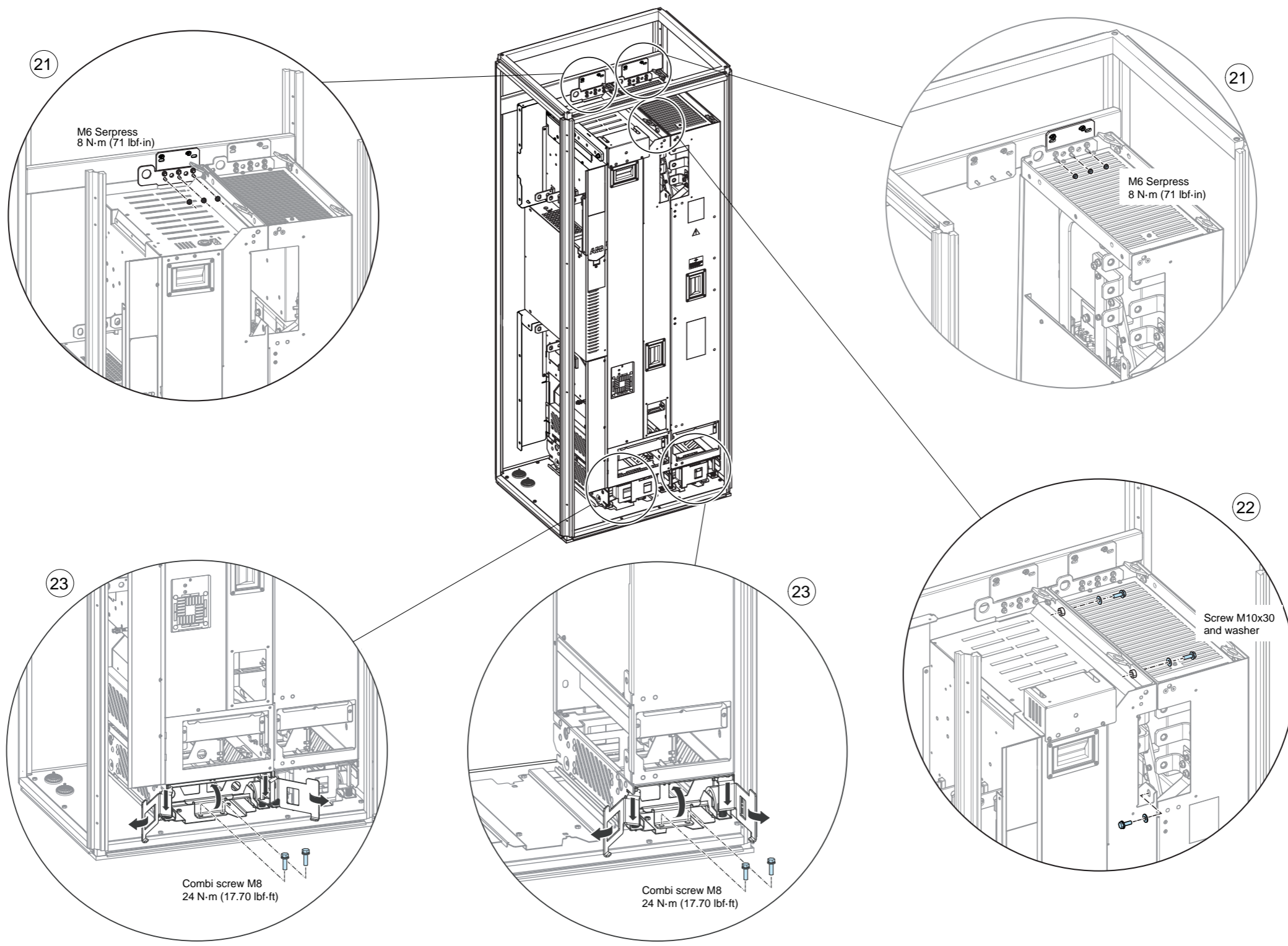


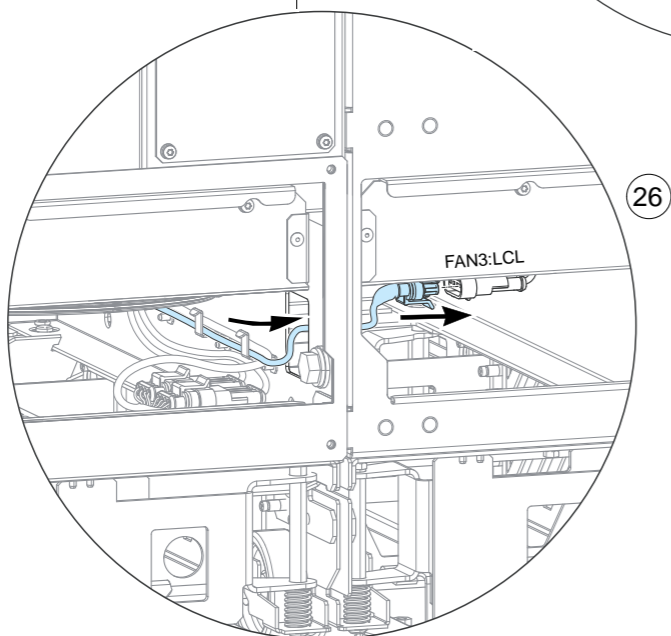
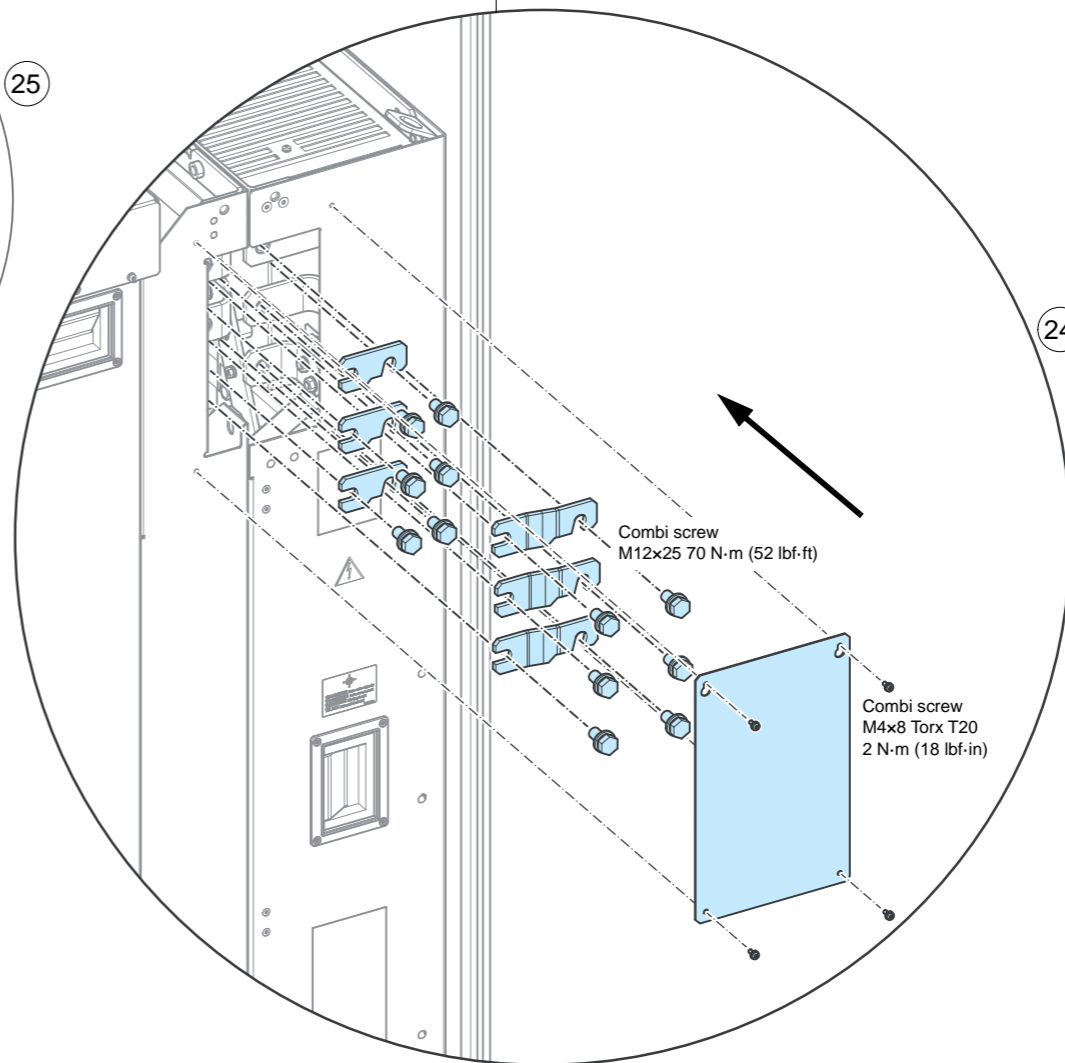
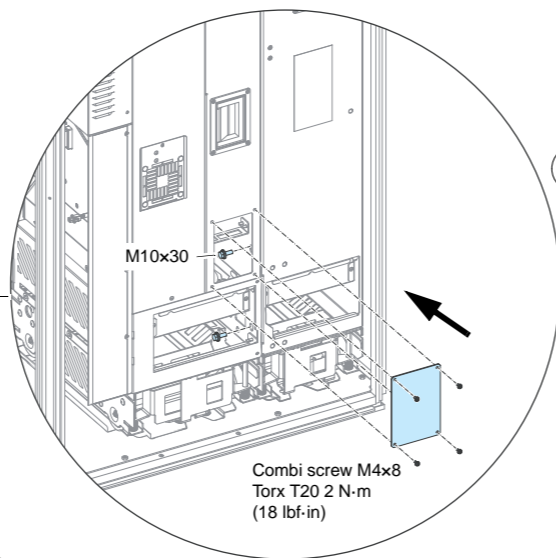
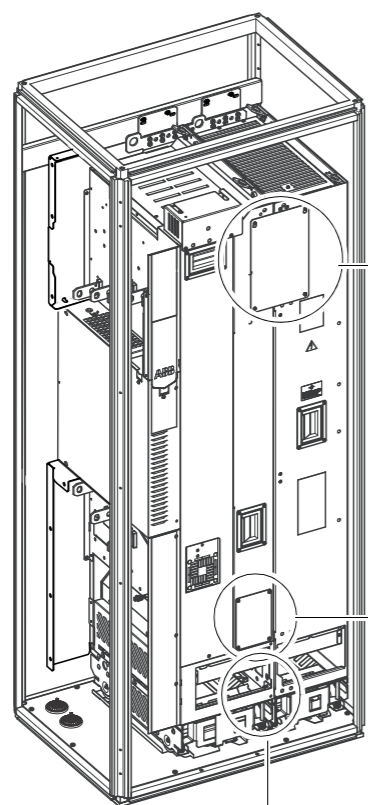
Combi screw  
M8x30 Hex  
20 N·m  
(14.75 lbf-ft)





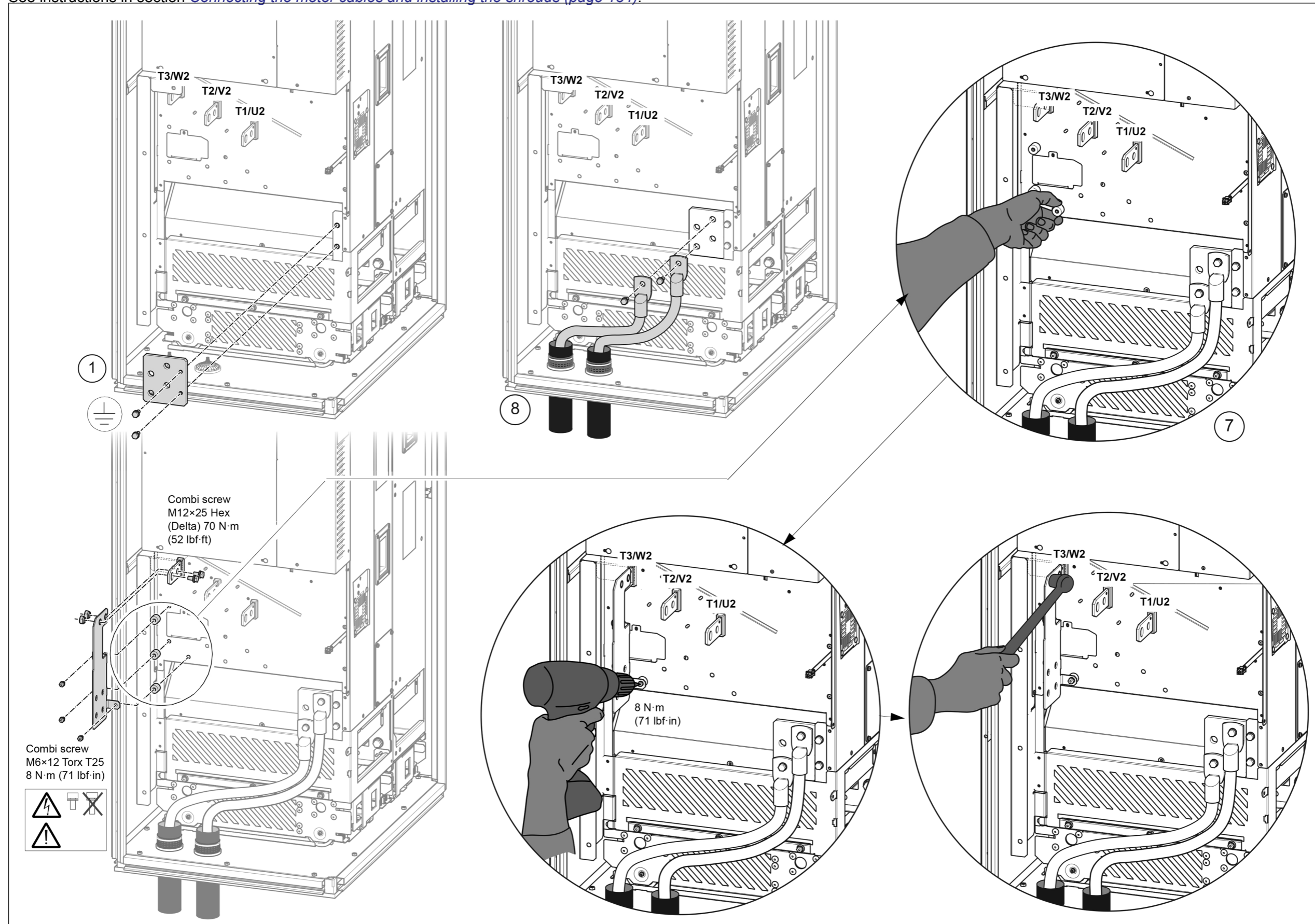




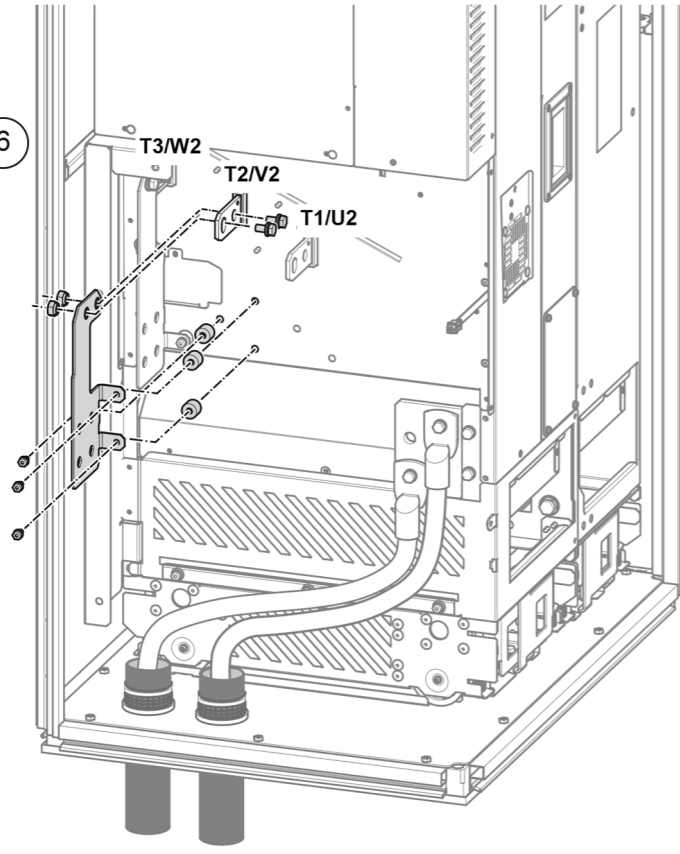


## Connecting the motor cables and installing the shrouds

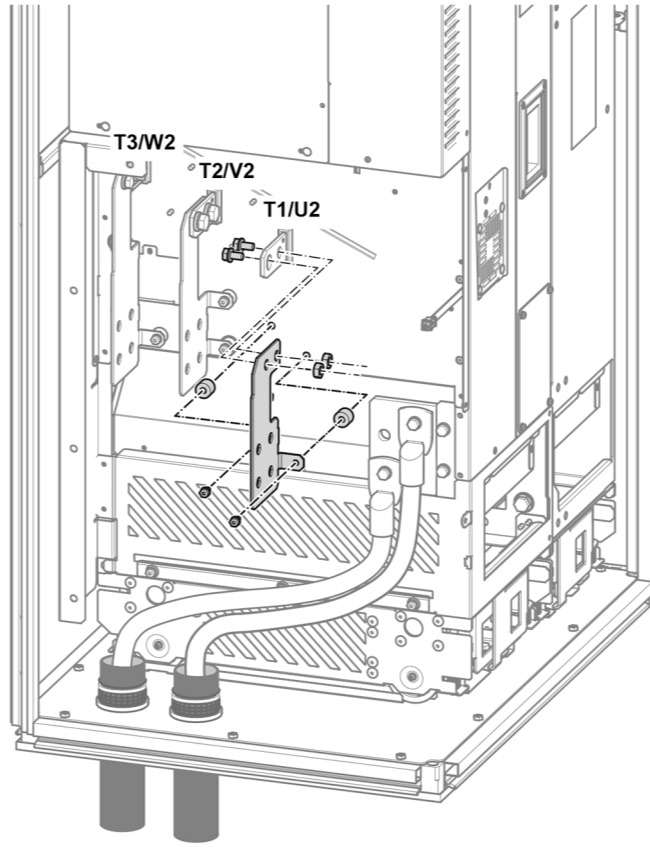
See instructions in section [Connecting the motor cables and installing the shrouds](#) (page 134).



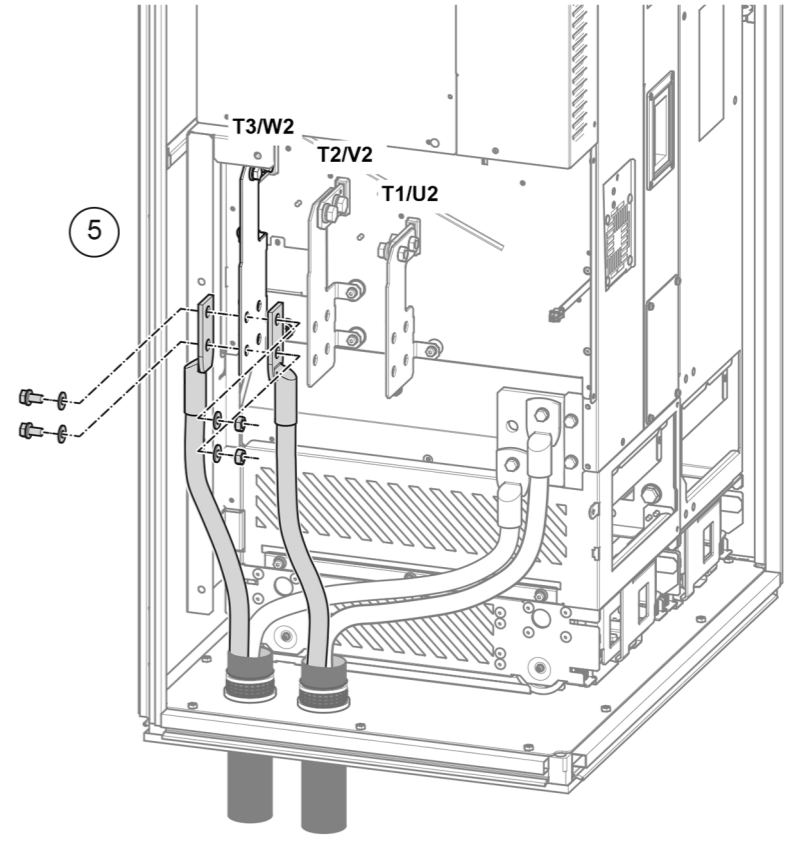
6



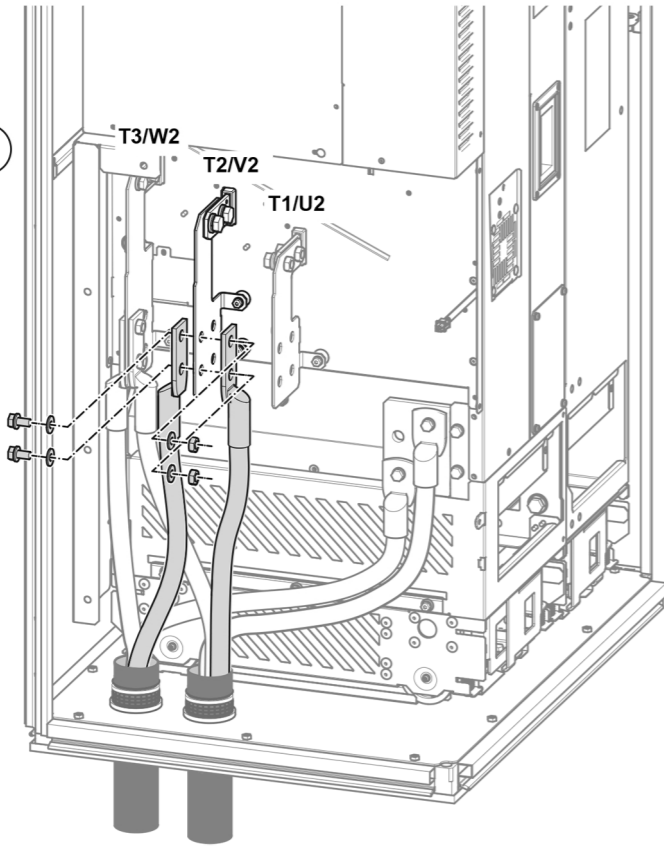
8



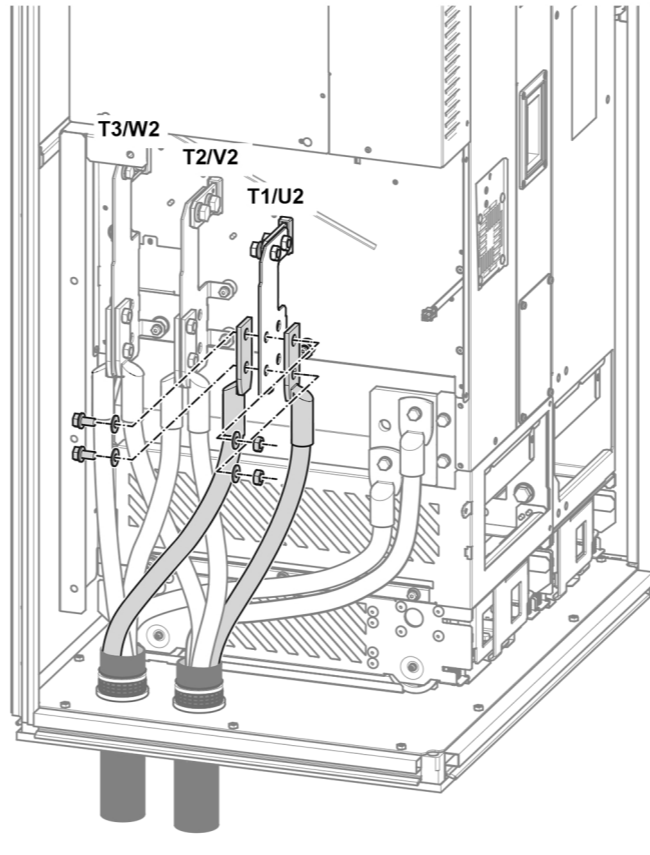
5

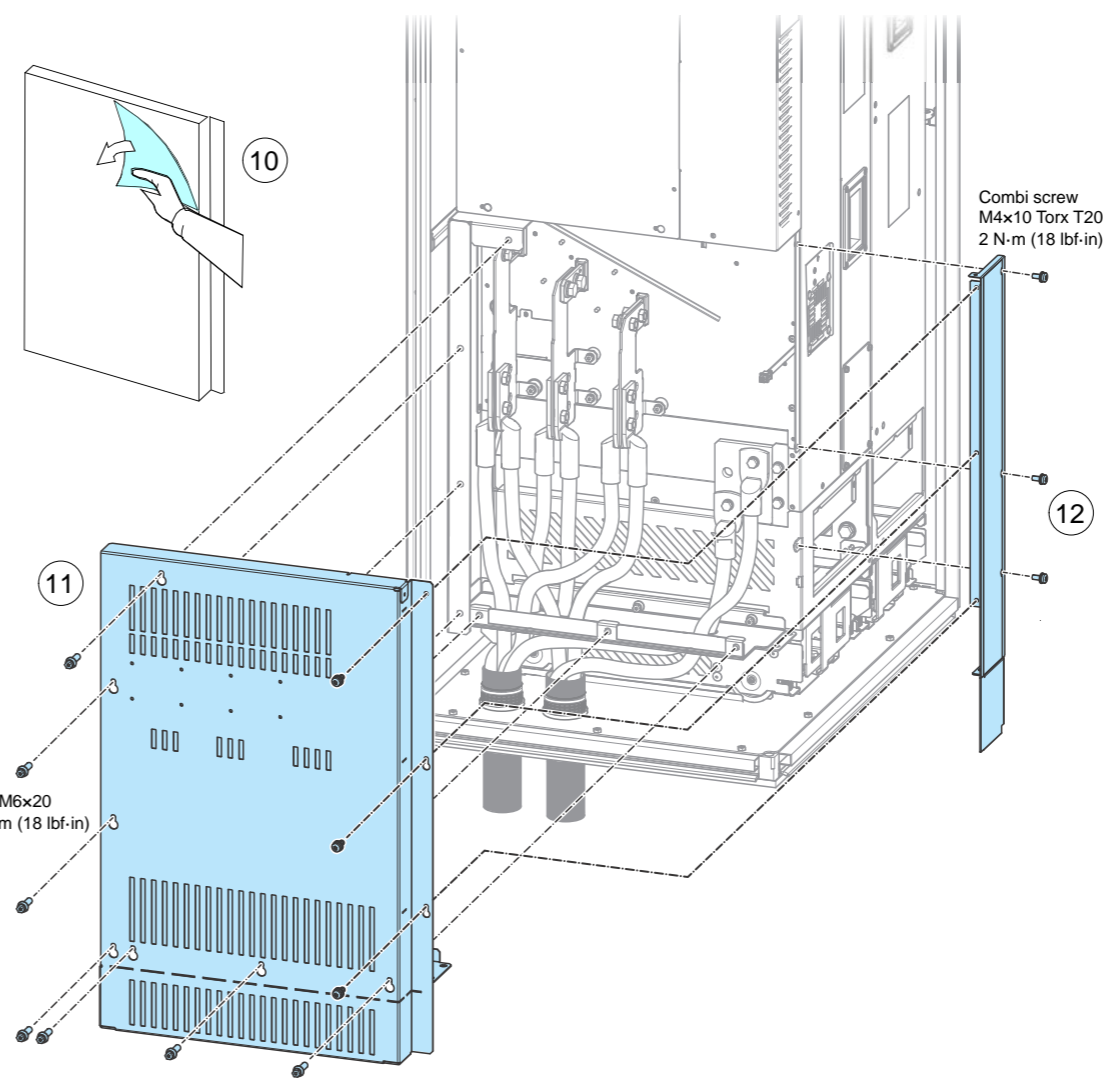
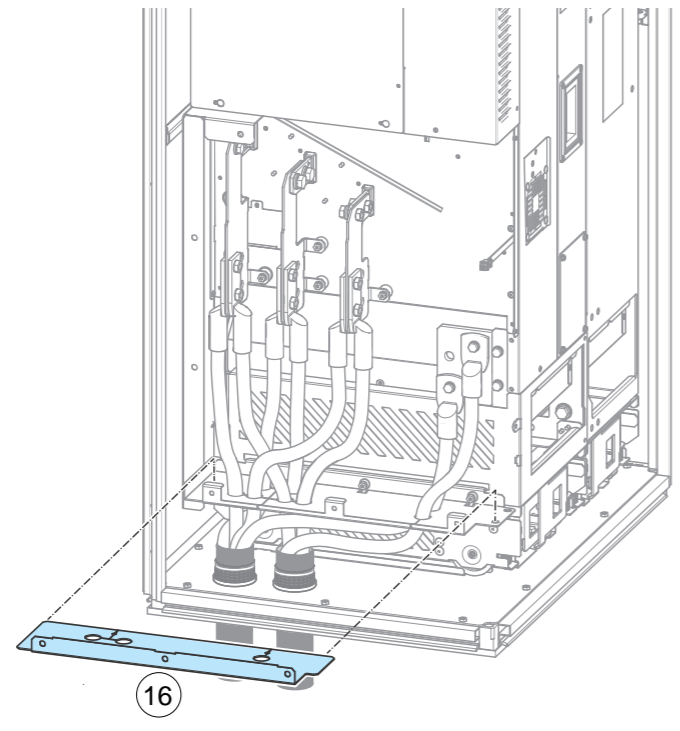
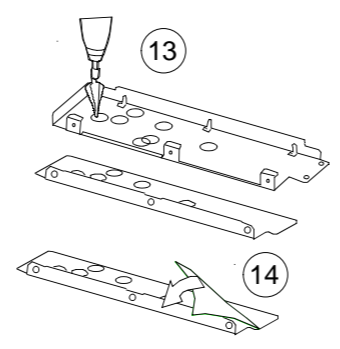
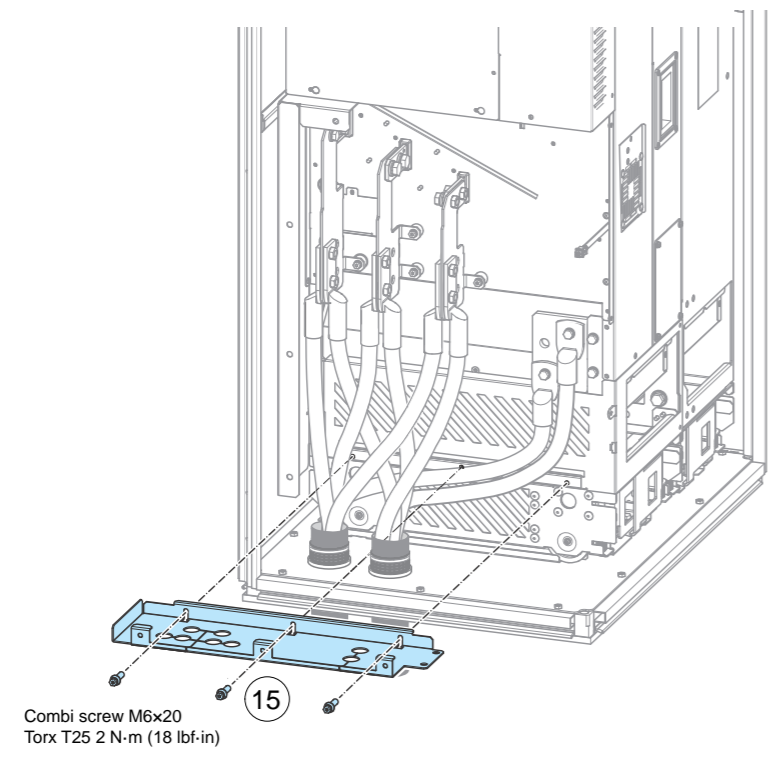


7



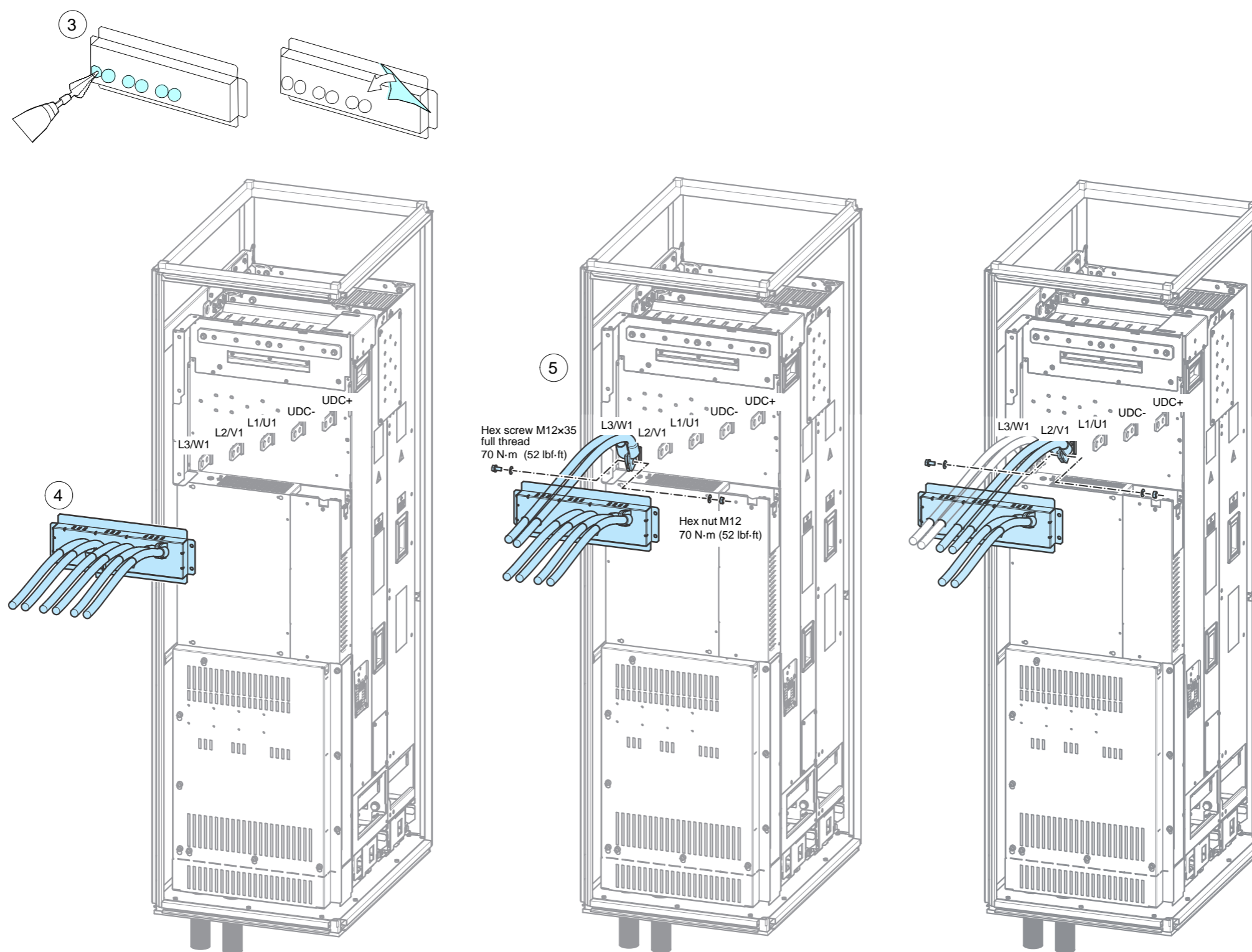
9

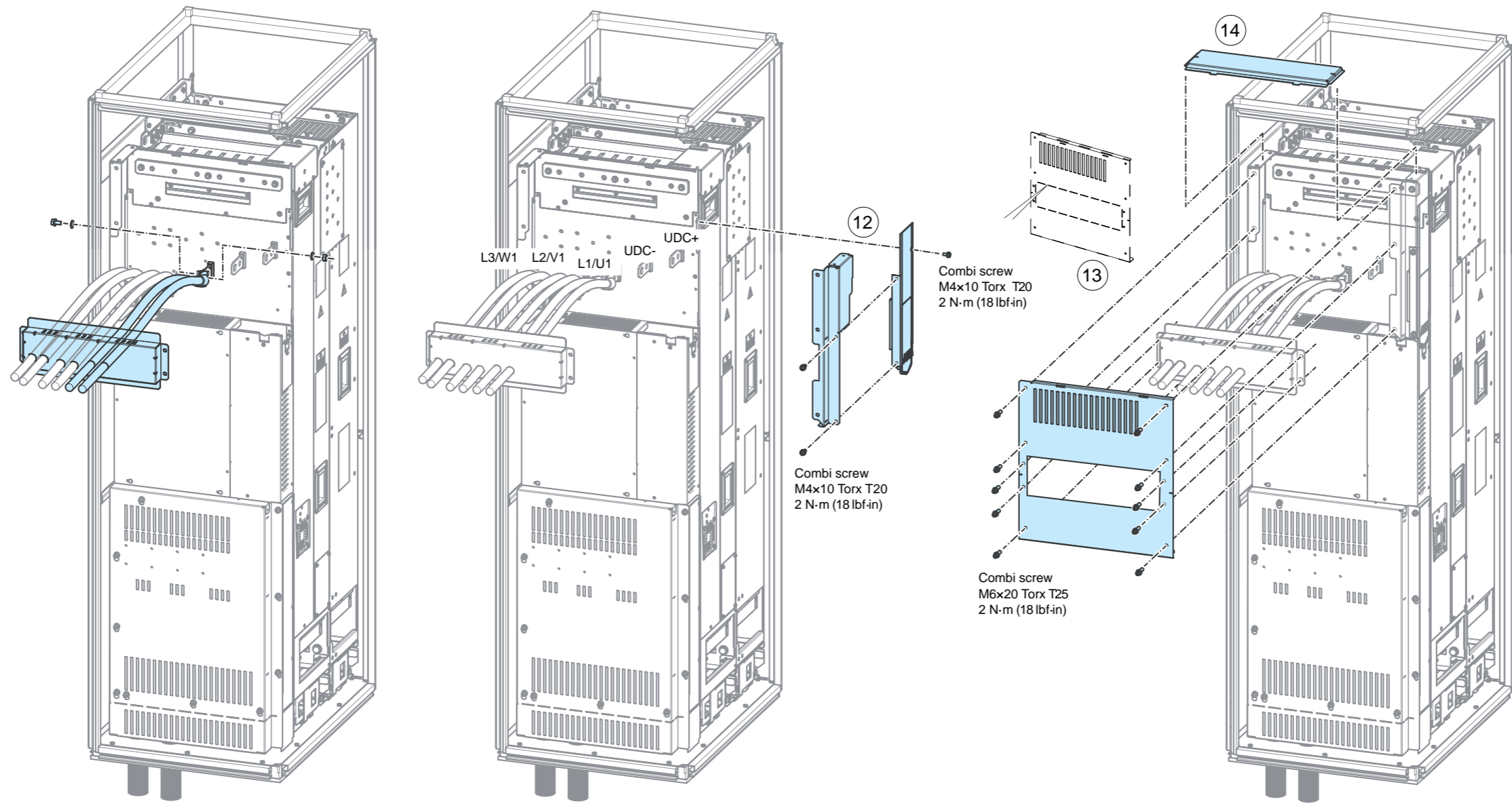




## Connecting the input power cables and installing the shrouds

See instructions in section [Connecting the input cables and installing the shrouds \(page 135\)](#)

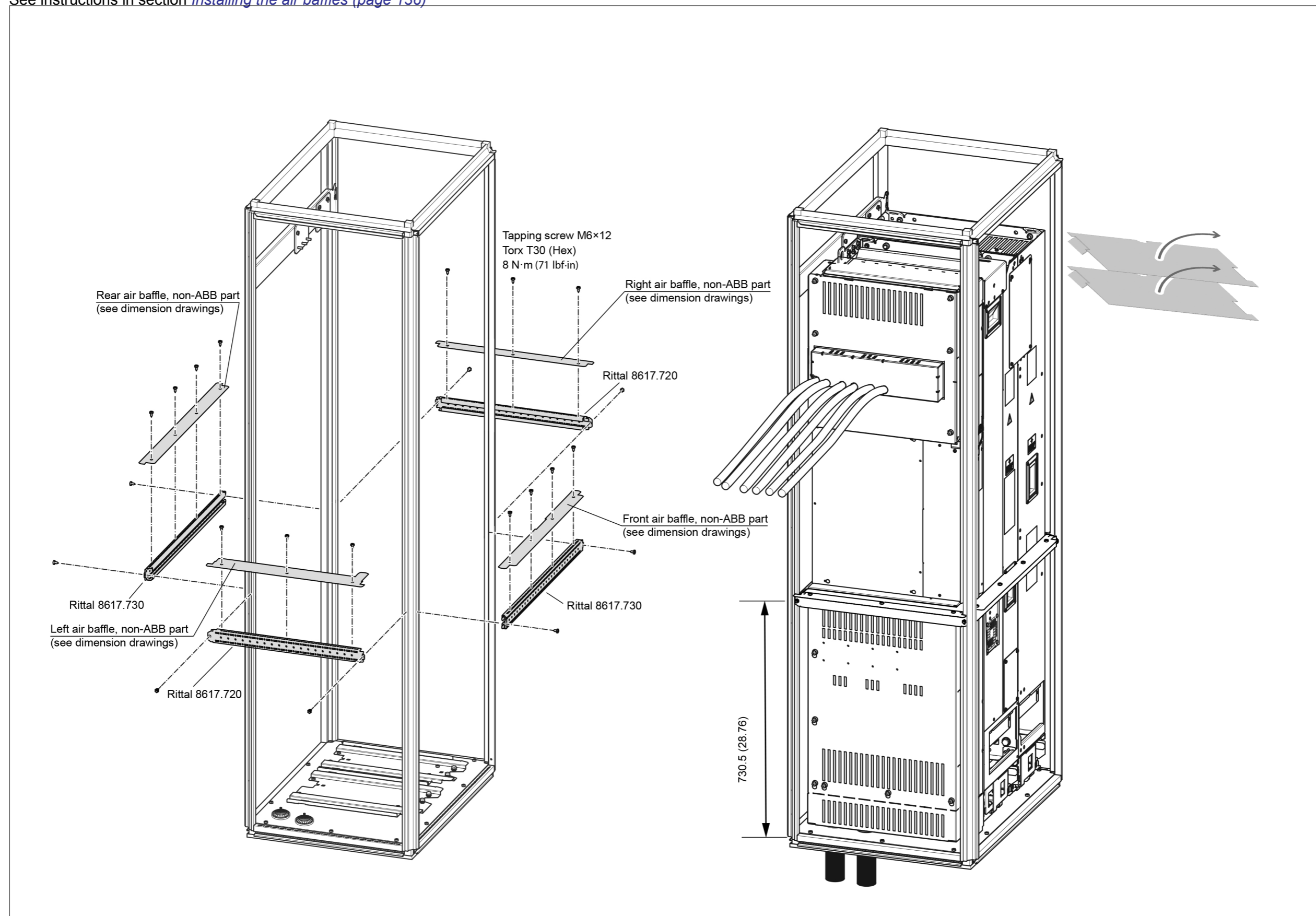






## Installing the air baffles and removing the cardboard covers

See instructions in section [Installing the air baffles \(page 136\)](#)





---

# Further information

## **Product and service inquiries**

Address any inquiries about the product to your local ABB representative, quoting the type designation and serial number of the unit in question. A listing of ABB sales, support and service contacts can be found by navigating to [www.abb.com/searchchannels](http://www.abb.com/searchchannels).

## **Product training**

For information on ABB product training, navigate to [new.abb.com/service/training](http://new.abb.com/service/training).

## **Providing feedback on ABB manuals**

Your comments on our manuals are welcome. Navigate to [new.abb.com/drives/manuals-feedback-form](http://new.abb.com/drives/manuals-feedback-form).

## **Document library on the Internet**

You can find manuals and other product documents in PDF format on the Internet at [www.abb.com/drives/documents](http://www.abb.com/drives/documents).



[www.abb.com/drives](http://www.abb.com/drives)



3AXD50000035191D