

Please use this manual change with the user's manuals listed below.

1. Applicable Users' Manual and Page

IM 01C50B01-01E (16th)

Item	Page	Applicable part and revised contents
1	1-1	Preface See 2.1 information to be added (1)
1	1-1	For Safe Use of Product See 2.2 information to be added (2)
2.7.1 b)	2-4	CSA Explosionproof Type Type 4X→TYPE 4X
2.7.2 (1) a) b) c)	2-6, 2-7	ATEX Intrinsically Safe "ia" ATEX Flameproof Type and Dust Ignition Proof Type ATEX Intrinsically Safe "ic" See 2.3 Change applicable standards and Type of Protection and Marking Code
2.7.2 (6)	2-9	Name Plate See 2.5 Change Name Plate
2.7.3 c)	2-11	FM Explosionproof Type NEMA-250→ANSI/NEMA 250, NEMA 4X→TYPE 4X IM 1C50B1→IM 01C50B01-01EN
2.7.5 c)	2-14	IECEx Flameproof Type and Dust Ignition Proof Type See 2.3 Change applicable standards and Type of Protection and Marking Code

IM 01C50T02-01E (9th)

Item	Page	Applicable part and revised contents
8.1.2 (1)A)	8-2	ATEX Flameproof Type and Dust Ignition Proof Type See 2.3 Change applicable standards and Type of Protection and Marking Code
8.1.2 (6)	8-7	Name Plate See 2.5 Change Name Plate
8.1.4 (1)A)	8-11	IECEx Flameproof Type and Dust Ignition Proof Type See 2.3 Change applicable standards and Type of Protection and Marking Code
9.2	9-2	Optional Specifications See 2.4 KS25 pending the sale to EEA market

2. Changed contents

2.1 Information to be added (1)

This manual gives instructions on handling, wiring, installation, maintenance, and general specifications. To ensure correct use, please read this manual and following documents.

Document No.	Explanation
IM 01C50B01-01E	Hardware (This manual)
IM 01C50T01-01E	For HART protocol type
IM 01C50T02-01E	For FOUNDATION Fieldbus communication type
IM 01C50T03-01E	For BRAIN communication type
GS 01C50B01-00EN	YTA110 Temperature Transmitter
GS 01C50B02-00EN	YTA310/YTA320 Temperature Transmitter
GS 01C50T01-00EN	Model YTA Series HART Communication
GS 01C50T02-00EN	Model YTA Series Fieldbus Communication

These documents can be downloaded from the website of Yokogawa.

Website address: <http://www.yokogawa.com/fld/>

2.2 Information to be added (2)

■ For Safe Use of Product

(e) Product Disposal

The instrument should be disposed of in accordance with local and national legislation/regulations.

(f) Authorized Representative in EEA

In relation to the CE Marking, The authorized representative for this product in the EEA (European Economic Area) is:

Yokogawa Europe B.V.

Euroweg 2, 3825 HD Amersfoort, The Netherlands

2.3 Change applicable standards and Type of Protection and Marking Code

Before Change	After Change
ATEX Intrinsically Safe "ia" Applicable Standard: EN 60079-0:2012 , EN 60079-11:2012, EN 60079-26:2007	ATEX Intrinsically Safe "ia" Applicable Standard: EN 60079-0:2012+A11:2013 , EN 60079-11:2012
ATEX Flameproof Type and Dust Ignition Proof Type Applicable Standard: EN 60079-0:2012 , EN 60079-1:2007 , EN 60079-31:2009 Type of Protection and Marking Code: II 2 G Ex d IIC T6/T5 Gb , II 2 D Ex tb IIIC T70°C, T90°C Db	ATEX Flameproof Type and Dust Ignition Proof Type Applicable Standard: EN 60079-0:2012+A11:2013 , EN 60079-1:2014 , EN 60079-31:2014 Type of Protection and Marking Code: II 2 G Ex db IIC T6/T5 Gb , II 2 D Ex tb IIIC T70°C / T90°C Db
ATEX Intrinsically Safe "ic" Applicable Standard: EN 60079-0:2012 , EN 60079-11:2012	ATEX Intrinsically Safe "ic" Applicable Standard: EN 60079-0:2012+A11:2013 , EN 60079-11:2012
IECEx Flameproof Type and Dust Ignition Proof Type Applicable Standard: IEC 60079-0:2011, IEC 60079-1:2007-04 , IEC 60079-31:2008 Type of Protection and Marking Code: Ex d IIC T6/T5 Gb , Ex tb IIIC T70°C, T90°C Db	IECEx Flameproof Type and Dust Ignition Proof Type Applicable Standard: IEC 60079-0:2011, IEC 60079-1:2014-06 , IEC 60079-31:2013 Type of Protection and Marking Code: Ex db IIC T6/T5 Gb , Ex tb IIIC T70°C / T90°C Db

2.4 KS25 pending the sale to EEA market.

Item	Description	Code
ATEX	ATEX Intrinsically Safe "ia" Approval Electrical Connection: 1/2 NPT female and M20 female	KS25 (Note1)

Note1: Because the examination of conformity to the updated standards is under the way, intrinsically safe type Ex ia (Option: KS25 for Fieldbus communication type) is pending the sale to EEA market.

2.5 Change Name Plate.

2.5.1 IM 01C50B01-01E

Before Change

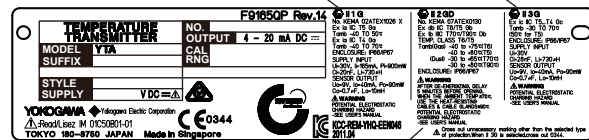
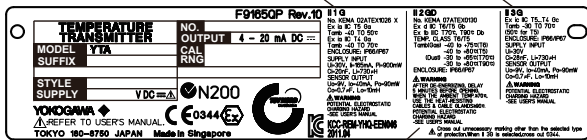
II 1 G
No. KEMA 02ATEX1026 X
Ex ia IIC T5 Ga
Tamb -40 TO 50°C
Ex ia IIC T4 Ga
Tamb -40 TO 70°C
ENCLOSURE: IP66/IP67
SUPPLY INPUT
Ui=30V, Ii=165mA, Pi=900mW
Ci=20nF, Li=730µH
SENSOR OUTPUT
Uo=9V, Io=40mA, Po=90mW
Co=0.7µF, Lo=10mH
⚠ WARNING
POTENTIAL ELECTROSTATIC CHARGING HAZARD
-SEE USER'S MANUAL

II 3 G
Ex ic IIC T5...T4 Gc
Tamb -30 TO 70°C
(80°C for T5)
ENCLOSURE: IP66/IP67
SUPPLY INPUT
Ui=30V
Ci=28nF, Li=730µH
SENSOR OUTPUT
Uo=9V, Io=40mA, Po=90mW
Co=0.7µF, Lo=10mH
⚠ WARNING
POTENTIAL ELECTROSTATIC CHARGING HAZARD
-SEE USER'S MANUAL

After Change

II 1 G
No. KEMA 02ATEX1026 X
Ex ia IIC T5 Ga
Tamb -40 TO 50°C
Ex ia IIC T4 Ga
Tamb -40 TO 70°C
ENCLOSURE: IP66/IP67
SUPPLY INPUT
Ui=30V, Ii=165mA, Pi=900mW
Ci=20nF, Li=730µH
SENSOR OUTPUT
Uo=9V, Io=40mA, Po=90mW
Co=0.7µF, Lo=10mH
⚠ WARNING
POTENTIAL ELECTROSTATIC CHARGING HAZARD
-SEE USER'S MANUAL

II 3 G
Ex ic IIC T5...T4 Gc
Tamb -30 TO 70°C
(80°C for T5)
ENCLOSURE: IP66/IP67
SUPPLY INPUT
Ui=30V
Ci=28nF, Li=730µH
SENSOR OUTPUT
Uo=9V, Io=40mA, Po=90mW
Co=0.7µF, Lo=10mH
⚠ WARNING
POTENTIAL ELECTROSTATIC CHARGING HAZARD
-SEE USER'S MANUAL



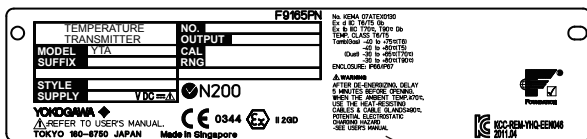
II 2 GD
No. KEMA 07ATEX0130
Ex d IIC T6/T5 Gb
Ex tb IIC T70°C, T90°C Db
TEMP. CLASS T6/T5
Tamb(Gas) -40 to +75°C(T6)
-40 to +80°C(T5)
(Dust) -30 to +65°C(T70°C)
-30 to +80°C(T90°C)
ENCLOSURE: IP66/IP67
⚠ WARNING
AFTER DE-ENERGIZING, DELAY 5 MINUTES BEFORE OPENING. WHEN THE AMBIENT TEMP. ≥70°C, USE THE HEAT-RESISTING CABLES & CABLE GLANDS ≥90°C. POTENTIAL ELECTROSTATIC CHARGING HAZARD
-SEE USER'S MANUAL

II 2 GD
No. KEMA 07ATEX0130
Ex db IIC T6/T5 Gb
Ex tb IIC T70°C/T90°C Db
TEMP. CLASS T6/T5
Tamb(Gas) -40 to +75°C(T6)
-40 to +80°C(T5)
(Dust) -30 to +65°C(T70°C)
-30 to +80°C(T90°C)
ENCLOSURE: IP66/IP67
⚠ WARNING
AFTER DE-ENERGIZING, DELAY 5 MINUTES BEFORE OPENING. WHEN THE AMBIENT TEMP. ≥70°C, USE THE HEAT-RESISTING CABLES & CABLE GLANDS ≥90°C. POTENTIAL ELECTROSTATIC CHARGING HAZARD
-SEE USER'S MANUAL

2.5.2 IM 01C50T02-01E

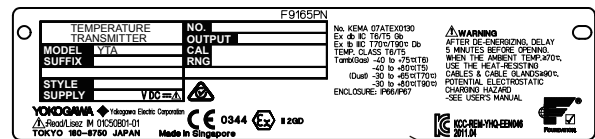
Before Change

● Name plate for flameproof type



After Change

● Name plate for flameproof type



No. KEMA 07ATEX0130
Ex d IIC T6/T5 Gb
Ex tb IIC T70°C, T90°C Db
TEMP. CLASS T6/T5
Tamb(Gas) -40 to +75°C(T6)
-40 to +80°C(T5)
(Dust) -30 to +65°C(T70°C)
-30 to +80°C(T90°C)
ENCLOSURE: IP66/IP67
⚠ WARNING
AFTER DE-ENERGIZING, DELAY 5 MINUTES BEFORE OPENING. WHEN THE AMBIENT TEMP. ≥70°C, USE THE HEAT-RESISTING CABLES & CABLE GLANDS ≥90°C. POTENTIAL ELECTROSTATIC CHARGING HAZARD
-SEE USER'S MANUAL

No. KEMA 07ATEX0130
Ex db IIC T6/T5 Gb
Ex tb IIC T70°C/T90°C Db
TEMP. CLASS T6/T5
Tamb(Gas) -40 to +75°C(T6)
-40 to +80°C(T5)
(Dust) -30 to +65°C(T70°C)
-30 to +80°C(T90°C)
ENCLOSURE: IP66/IP67
⚠ WARNING
AFTER DE-ENERGIZING, DELAY 5 MINUTES BEFORE OPENING. WHEN THE AMBIENT TEMP. ≥70°C, USE THE HEAT-RESISTING CABLES & CABLE GLANDS ≥90°C. POTENTIAL ELECTROSTATIC CHARGING HAZARD
-SEE USER'S MANUAL

はじめに

本書は、中華人民共和国国内でのみ有効です。

Foreword

This manual is valid only in China.

产品中有害物质或元素的名称及含量

型号	部件名称	有害物质					
		铅 (Pb)	汞 (Hg)	镉 (Cd)	六价铬 (Cr(VI))	多溴联苯 (PBB)	多溴二苯醚 (PBDE)
YTA110/310/320 YTA50/70 YTA70P 温度变送器	壳体	×	○	○	○	○	○
	基板组件	×	○	○	○	○	○
	电源连接线	×	○	○	○	○	○

○：表示该部件的所有均质材料中的有害物质的含量均在 GB/T26572 标准中所规定的限量以下。
 ×：表示至少该部件的某些均质材料中的有害物质的含量均在 GB/T26572 标准中所规定的限量以上。

环保使用期限：

该标识适用于 SJ /T11364 中所述，在中华人民共和国销售的电子电气产品的环保使用期限。



注) 该年数为“环保使用期限”，并非产品的质量保证期。

Please use this manual change for the manuals listed below.

1. Applicable manuals, revised item, revised contents

DOC No.	Edition	Page	Revised Items	Revised Contents
IM 01C50B01-01E	16th	7-1 7-3 7-4	Input signal Table 7.1 Input Type, Measurement Range and Accuracy Table 7.3 YTA310, YTA320 Effect of Ambient Temperature	Delete Ni120.
IM 01C50G01-01EN	1st	3-4 7-4	Table 3.4 Parameter List (HART) Table 7.1 Sensor type, measurement range, and accuracy	Delete Ni120.
IM 01C50T01-01E	5th	3-5 3-15	Figure Table 3.2	Delete Ni120.
IM 01C50T01-02EN	1st	3-11	Figure 3.1 Wire connection and sensor type	Delete Ni120.
IM 01C50T02-01E	9th	5-12 5-14 9-3 9-4	SENSOR_TYPE_1(2) Table 5.16 Recommended Input Levels for Calibration Table 9.1 Accuracy Table 9.2 Ambient Temperature Effect	Delete Ni120.
IM 01C50T01-02EN	1st	6-2 6-3 6-4	SENSOR_TYPE_1(2) Figure 6.2 Wire connection and sensor type Table 6.1 Sensor type and measurement range	Delete Ni120.
IM 01C50T03-01E	5th	3-4 3-5 3-13 5-1 5-2	Sensor type selection Figure 3.1 Input terminal wire connection diagram and sensor type categories Setting display Table 3.1 Zero and Gain point value for Sensor trim 5. LIST OF PARAMETERS SENSOR1 TYPE 5. LIST OF PARAMETERS SENSOR2 TYPE	Delete Ni120.

2. Note

Please do not use Ni120 sensor.

Please use this manual change with the user's manuals listed below.

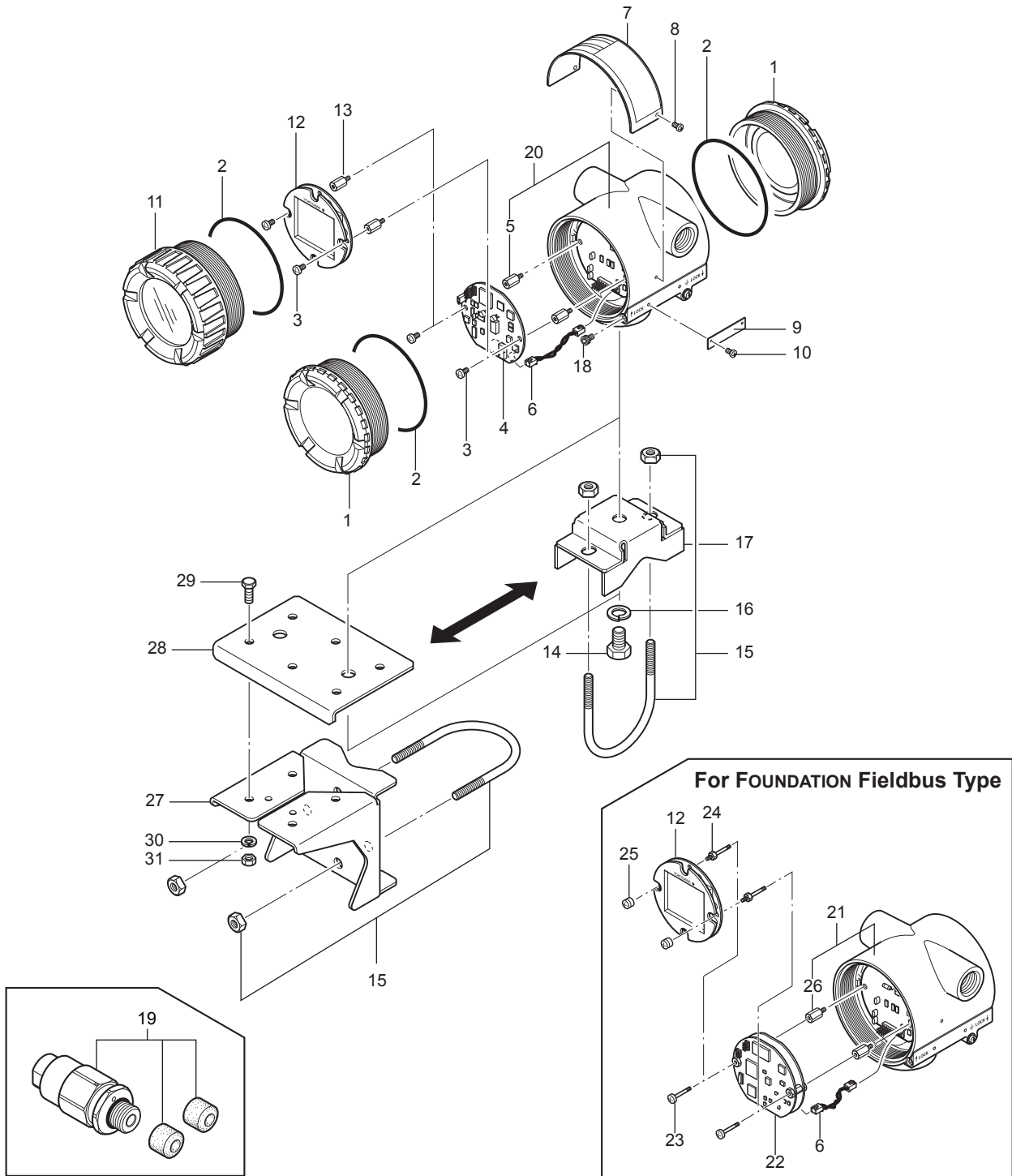
1. Applicable User's Manual and Page

IM 01C50B01-01E (16th)

Item	Page	Applicable part and revised contents
CMPL 01C50B01-02E	2	14th → 16th Change from B1000ER to F9165CS. Change from /G11 to /G12. Change from Y9406ZU to B1032BB. Delete Table 1-2. Add *1 in Table 1. Add *2, *3, *4.

Customer Maintenance Parts List

YTA Series Temperature Transmitter [Style : S3]



YTA_CMPL.ai

Item	Part No.	Qty	Description
1	F9165EA	2	Cover*2
2	F9165CS	2	O-Ring
3	Y9406JB	2	Screw Machine
4	See Table 1	1	CPU Assembly for BRAIN or HART Communication type
5	B1002BT	2	Stud Bolt
6	F9342MW	1	Connector Assembly
7	—	1	Name Plate
8	F9300AG	2	Screw*2*3
9	F9165DF	1	Tag Plate*3
10	F9300AG	2	Screw*2*3
11	F9165FA	1	Cover Assembly*2
12	Below F9167DB F9167DC	1	LCD Assembly For BRAIN and HART Communication type For Fieldbus Communication type
13	B1001BT	2	Stud Bolt
14	Y9016NU	1	Bolt Hexagon*4
15	D0117XL-A	1	U-bolt Assembly*4
16	Y9100SU	1	Washer Spring*4
17	F9165CY	1	Bracket*4
18	B1032BB	2	Screw (for ATEX, IECEx and TIIS flameproof type)
19	Below G9601AM	2	Cable Grand Assembly (for TIIS Flameproof; option code: /JF3) For Electrical Connection: G 1/2 female (option code: /G12)
20	—	1	Case Assembly for BRAIN or HART Communication type
21	—	1	Case Assembly for Fieldbus Communication type
22	—	1	CPU Assembly for Fieldbus Communication type
23	Y9420JB	2	Screw Machine
24	F9165KA	2	Screw
25	F9165KF	2	Nut
26	F9165KD	2	Stud Bolt
27	F9284NZ	1	Bracket*4
28	F9165QB	1	Bracket*4
29	Y9616NU	4	Screw*4
30	Y9600SU	4	Washer*4
31	Y9601BU	4	Nut*4

Table 1. CPU Assembly (for BRAIN and HART)*1

Model	Communication protocol	Without /CM1	With /CM1
YTA110	-D (BRAIN)	F9167BJ	—
	-E (HART)	F9167BM	—
YTA310	-D (BRAIN)	F9167BK	F9167BU
	-E (HART)	F9167BN	F9167BW
YTA320	-D (BRAIN)	F9167BL	F9167BV
	-E (HART)	F9167BP	F9167BX

CPU Assembly is shipped with the setting shown in Table 2.

Table 2. Setting upon shipment

Input sensor type	Pt100 three-wire system
Calibration range lower limit	"0"
Calibration range upper limit	"100"
Calibration unit	"°C"
Sensor burnout	High (110%, 21.6 mA DC)

*1: Applicable for general use. In case of explosion protected type, consult Yokogawa local office.

*2: For option code /E, consult Yokogawa local office.

*3: For option code /HC, consult Yokogawa local office.

*4: For Mounting Bracket code J, K, consult Yokogawa local office.