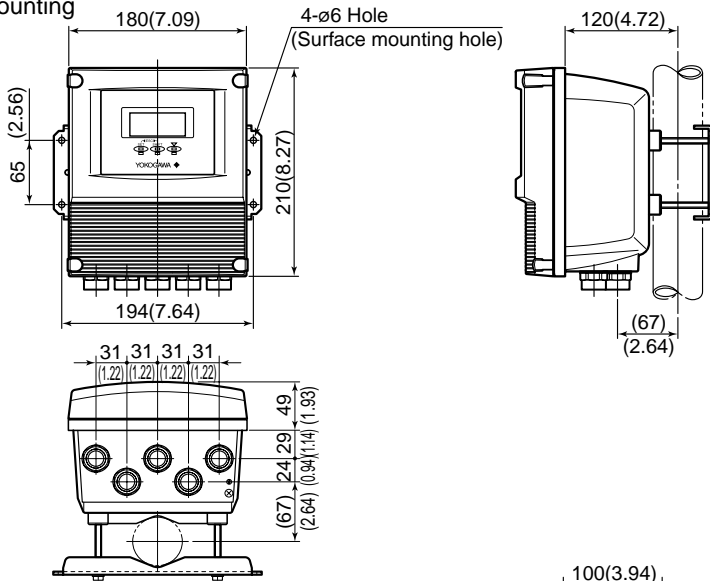


Drawings

AXFA11G AXF Magnetic Flowmeter Remote Converter



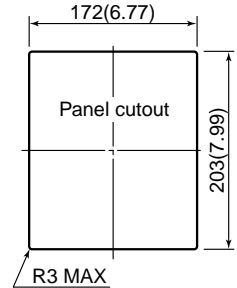
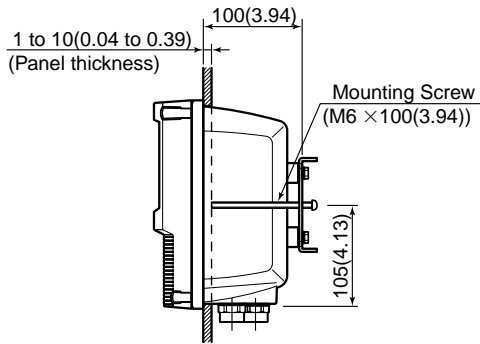
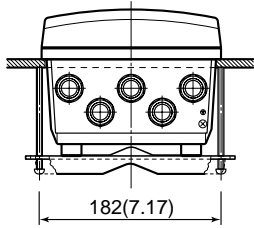
Pipe mounting



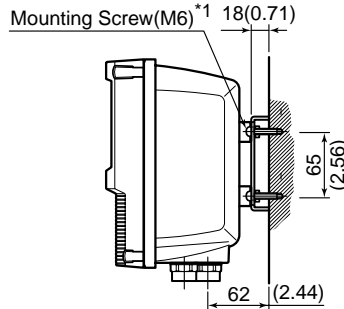
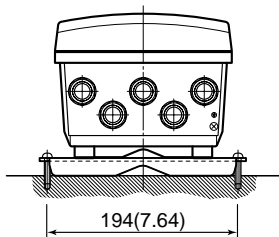
Unit : mm
(approx. inch)

Weight 3.3 kg (7.3 lb)

Panel mounting



Surface mounting



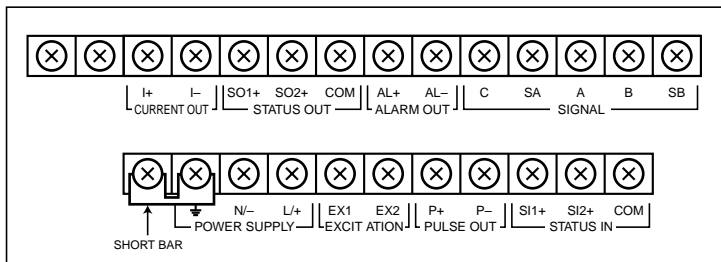
*1 : These screws must be provided by the user.

FB4AXFA11E.EPS

Model code:

AXFA11G - □ □ - □ 1

Terminal configuration



F01E.EPS

Terminal wiring

Terminal Symbols	Description	Terminal Symbols	Description
SIGNAL C SA A B SB	Flow signal input	STATUS IN SI1+ SI2+ COM	Status input (Two input)
ALARM OUT AL+ AL-	Alarm output	PULSE OUT P+ P-	Pulse output
STATUS OUT SO1+ SO2+ COM	Status output (Two output)	EXCITATION EX1 EX2	Excitation current output
CURRENT OUT I+ I-	Current output 4 to 20mA DC	POWER SUPPLY L/+ N/-	Power supply
		⏏	Functional grounding
		⏏	Protective grounding (Outside of the terminal)

T01E.EPS

Unless otherwise specified, difference in the dimensions are specified as : General tolerance = ± (Criteria of tolerance class IT18 in JIS B0401) / 2