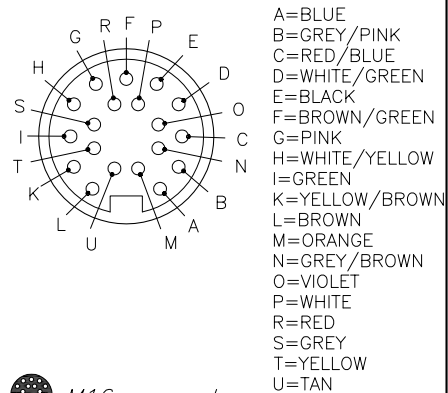


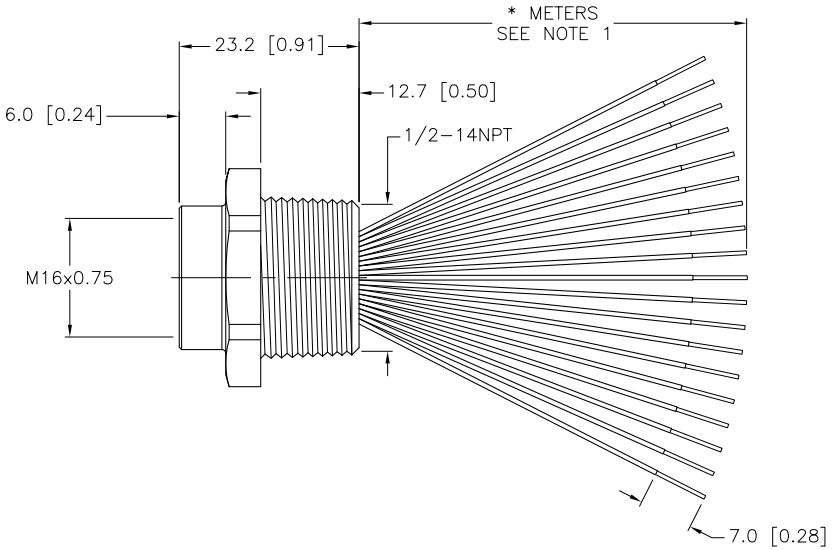
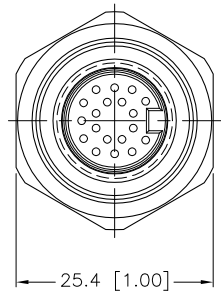
FEMALE END VIEW



M16 connector

SPECIFICATIONS

| | |
|--------------------------------|-----------------------------------|
| CONTACT CARRIER MATERIAL/COLOR | TPU/BLACK |
| CONTACT MATERIAL/PLATING | BRASS/GOLD |
| HOUSING MATERIAL/PLATING | BRASS/NICKEL |
| O-RING MATERIAL | NITRILE (BUNA N) |
| RATED CURRENT [A] | 3.0 A |
| RATED VOLTAGE [V] | 30 VAC/VDC |
| CONDUCTOR INSULATION MATERIAL | PVC |
| NUMBER OF CONDUCTORS [AWG] | 19x22 AWG |
| TEMPERATURE RANGE | -40°C to +105°C (-40°F to +221°F) |
| PROTECTION CLASS | MEETS NEMA IEC IP67 |



| CABLE LENGTH | TOLERANCE |
|--------------|---|
| ALL LENGTHS | + 4% (OR 50mm) OF LENGTH - 0% (OR 0mm) OF LENGTH WHICHEVER IS GREATER |
| STRIP LENGTH | TOLERANCE |
| 0-7mm | ±0.5mm |
| 8-29mm | ±1.0mm |
| 30-49mm | ±2.0mm |
| 50-69mm | ±3.0mm |
| 70-100mm | ±4.0mm |
| OVER 100mm | ±5.0mm |

NOTES:
1. "*" INDICATES LEAD LENGTH IN METERS. CONTACT TURCK TO ORDER SPECIFIC LENGTH.

SOURCE DRAWING - FOR REFERENCE ONLY

| | | | | | |
|---|---|---|------------------------------|---|--------------|
| RELATED DOCUMENTS 1. 2. 3. 4. | 3RD ANGLE PROJECTION | THIS DRAWING IS PROPERTY OF TURCK INC. USE OF THIS DOCUMENT WITHOUT WRITTEN PERMISSION IS PROHIBITED. | | 3000 CAMPUS DRIVE MINNEAPOLIS, MN 55441 1-800-544-7769 (763) 553-7300 (763) 553-0708 fax turck.com | |
| | MATERIAL SEE SPECIFICATION | DRFT RWC DSGN | DATE 10/04/04 SCALE 1=1.0 | DESCRIPTION BKF 19-19-*/14.5/NPT | |
| FINISH SEE SPECIFICATION | ALL DIMENSIONS DISPLAYED ON THIS DRAWING ARE FOR REFERENCE ONLY CONTACT TURCK FOR MORE INFORMATION | UNIT OF MEASUREMENT MILLIMETER [INCH] | | IDENTIFICATION NO. | REV C |
| C DRAWING PROCESSED AS PART OF ECO 33971 | CBM 04/06/11 33971 | DO NOT SCALE THIS DRAWING | | FILE: 777009777 | SHEET 1 OF 1 |