

General Specification

Models CTW10, CTW20, CTW100, and CTW130
Clamp-on Current Transformers



GS 77C01W02-01E

General

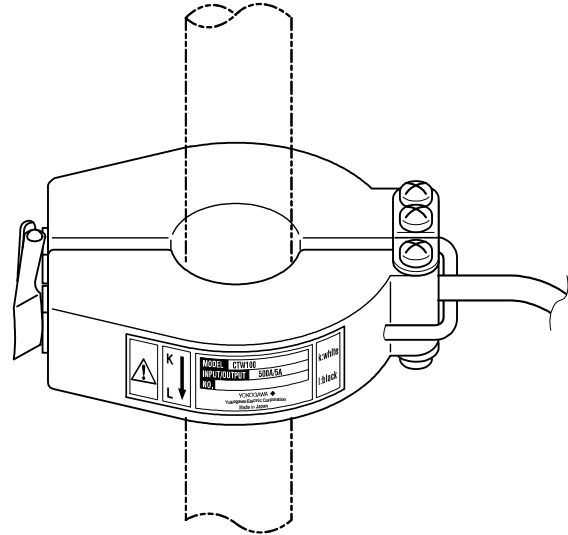
The CTW series are clamp-on current transformers that can be installed much easier than conventional current transformers, whereby saving labor. These transformers are particularly useful when expanding existing system since you can attach them to a cable without having to cut it.

Features

The clamp-on type makes the installation much easier for both existing and newly-established systems.

Being able to fix the transformer to power line directly enables users to select the installing point comparatively freely.

The CTW series contain a device for suppressing hazardous voltages that may arise when the secondary line is open-circuited. It prevents a burnout or outage.



Instruction Required when Ordering

Model
Example: CTW100

Models

Models	Name
CTW10	Clamp-on Current Transformer (for 100 A / 1 A) Applicable cable diameter: less than $\phi 24$ mm
CTW20	Clamp-on Current Transformer (for 200 A / 1 A) Applicable cable diameter: less than $\phi 24$ mm
CTW100	Clamp-on Current Transformer (for 500 A / 5 A) Applicable cable diameter: less than $\phi 36$ mm
CTW130	Clamp-on Current Transformer (for 800 A / 5 A) Applicable cable diameter: less than $\phi 36$ mm

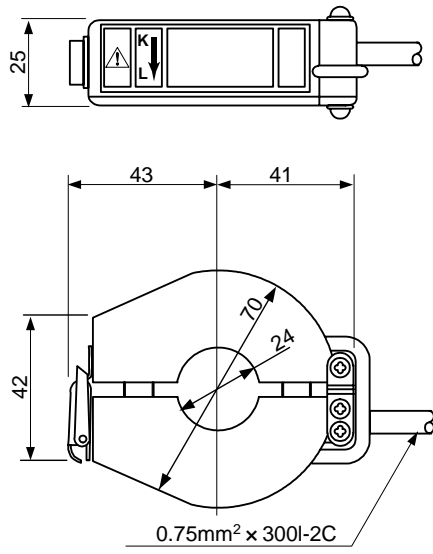
Characteristic Specifications

Models	CTW10	CTW20	CTW100	CTW130
Rated primary current (In)	100 A	200 A	500 A	800 A
Rated secondary current	1 A	1 A	5 A	5 A
Rated frequency	50 / 60 Hz			
Rated burden	0.5 VA	0.5 VA	2.5 VA	2.5 VA
Accuracy / Linearity	$\pm 1.0\%$ against rated primary current In			
Phase difference	Within $\pm 2^\circ$ against rated primary current In			
Operating circuit voltage	Within 500 V AC			
Insulation resistance	100 M Ω or more at 500 V DC (across core and output)			
Withstand voltage	2000 V AC for one minute (across core and output)			
Operating temperature range	-20 to 50°C (no condensation)			
Operating conditions	Indoor location			
Weight	Approx. 220 g	Approx. 220 g	Approx. 350 g	Approx. 380 g

External Dimensions

Unit: mm

CTW10 and CTW20



CTW100 and CTW130

