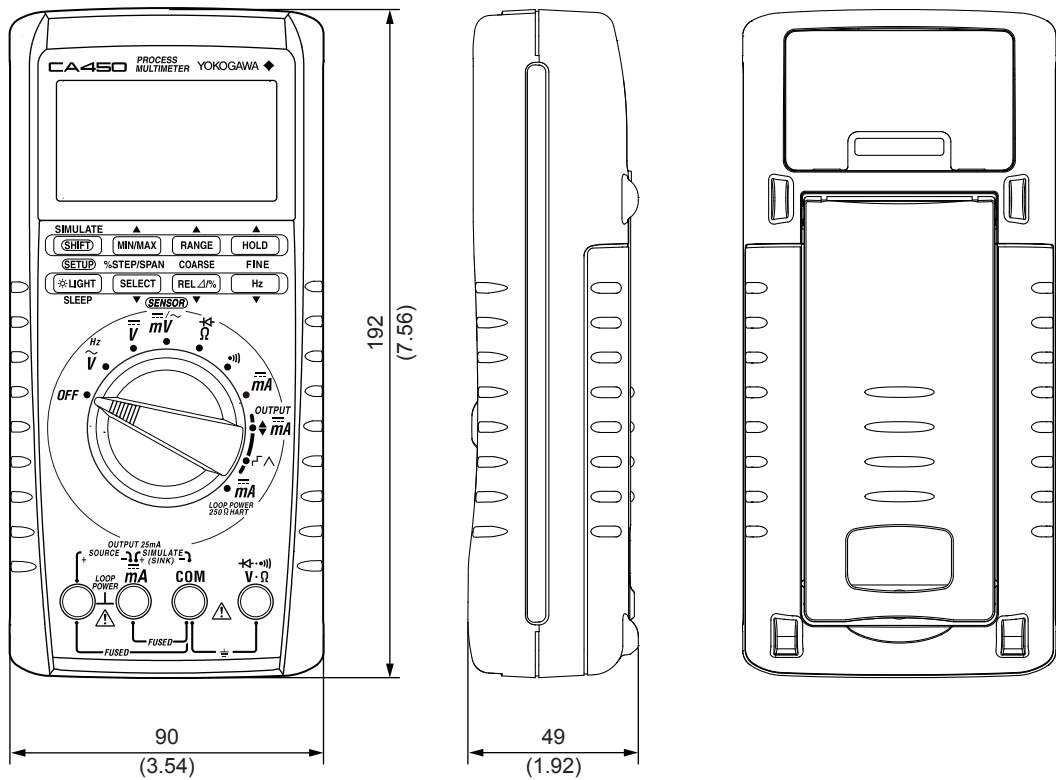


# Drawings

## Model CA450 Process Multimeter

Unit: mm  
(approx. inch)



Weight: approx. 600 g  
(including batteries)

If not specified, the tolerance is  $\pm 3\%$ . However, in cases of less than 10 mm, the tolerance is  $\pm 0.3$  mm.