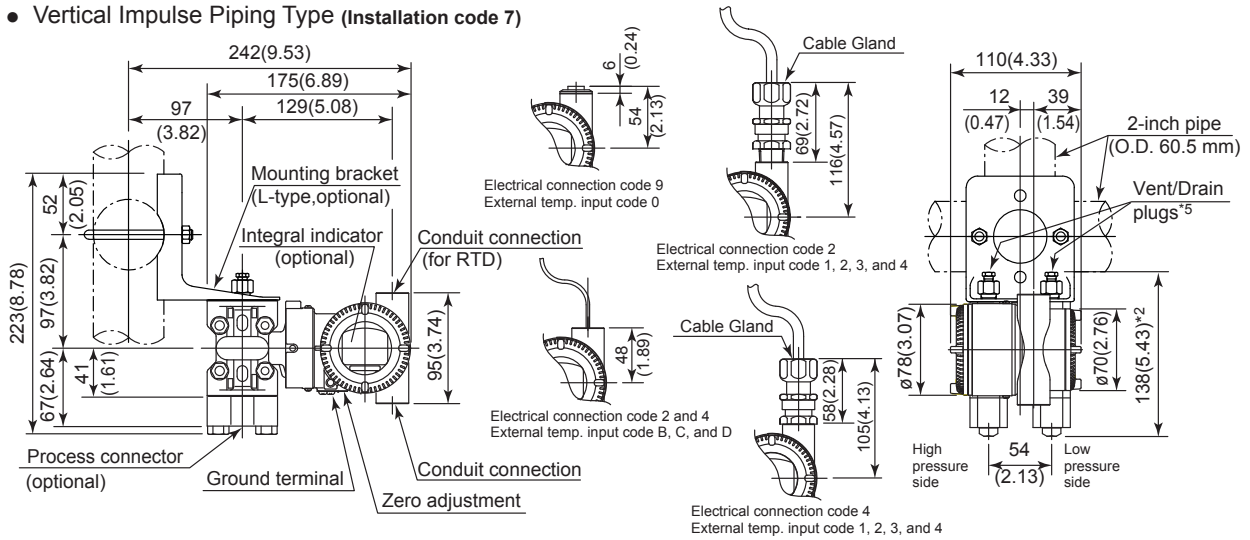
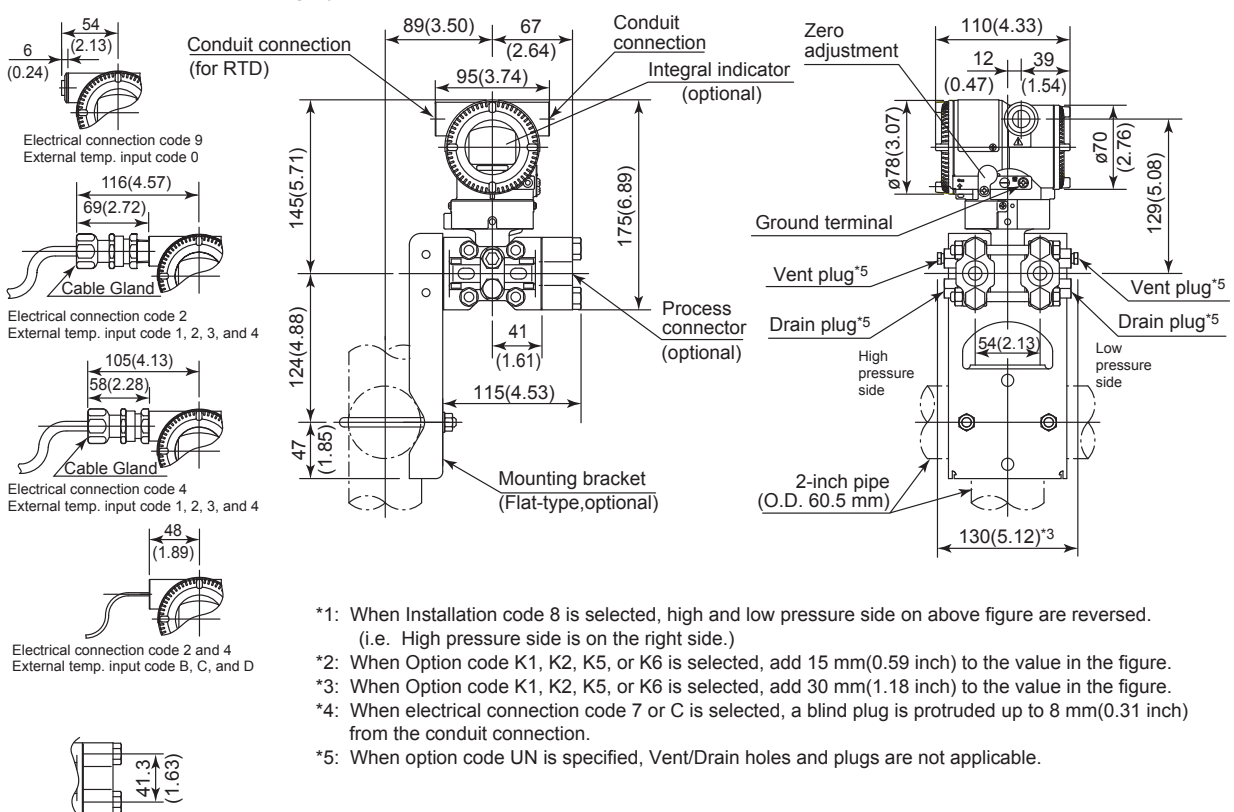


Unit: mm (approx. inch)

● Vertical Impulse Piping Type (Installation code 7)



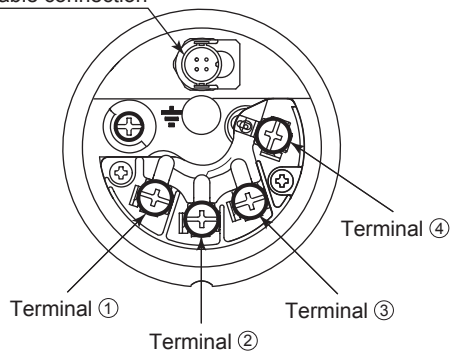
● Horizontal Impulse Piping Type (Installation code 9)



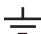
- \*1: When Installation code 8 is selected, high and low pressure side on above figure are reversed. (i.e. High pressure side is on the right side.)
- \*2: When Option code K1, K2, K5, or K6 is selected, add 15 mm(0.59 inch) to the value in the figure.
- \*3: When Option code K1, K2, K5, or K6 is selected, add 30 mm(1.18 inch) to the value in the figure.
- \*4: When electrical connection code 7 or C is selected, a blind plug is protruded up to 8 mm(0.31 inch) from the conduit connection.
- \*5: When option code UN is specified, Vent/Drain holes and plugs are not applicable.

- Terminal Configuration

RTD cable connection



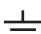
- Terminal Wiring  
(HART and FOUNDATION Fieldbus protocol types)

|  |   |   |   |
|--|---|---|---|
| SUPPLY   | + | ① | ] Power supply and output terminals           |
|  | - | ② |   |
| CHECK  | + | ③ | ] External indicator (ammeter) terminals *1*2 |
|  | - | ② |   |
| PULSE  | + | ④ | ] Pulse or status contact output terminals *2 |
|  | - | ② |   |
|  |   |   | Ground terminal                               |

\*1: When using an external indicator or check meter, the internal resistance must be  $10\Omega$  or less.

\*2: Not available for FOUNDATION Fieldbus communication type.

- Terminal Wiring  
(Modbus protocol type)

|  |   |   |   |
|--|---|---|---|
| SUPPLY   | + | ① | ] Power supply terminals                  |
|  | - | ② |   |
| MODBUS   | A | ③ | ] Modbus communication (RS-485) terminals |
|  | B | ④ |   |
|  |   |   | Ground terminal                           |