

General Specifications

Model WA0A
Output Isolator
(Voltage Input/Current Output Type)

JUXTA

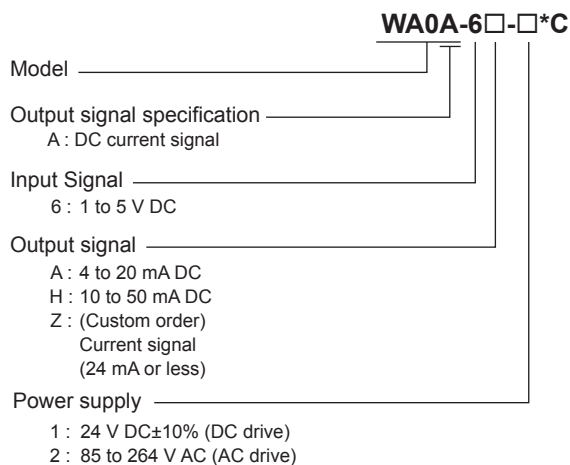
GS 77J09A10-01E

General

The WA0A is a compact, front terminal connection type isolator that converts 1 to 5 V DC signals into isolated DC current signals.

- 2000 V AC withstand voltage specifications are available upon requests.

Model and Suffix Codes



Ordering Information

Specify the following when ordering.

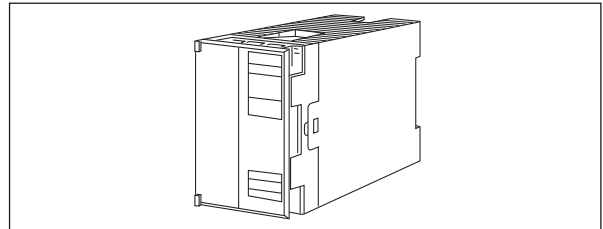
- Model and suffix codes :e.g. WA0A-6A-2*C

Input/Output Specifications

Input signal: 1 to 5 V DC
Input resistance: 1 MΩ during power on 100 kΩ during power off
Maximum allowable input: ±30 V DC or less
Output signal: DC current signal
Allowable load resistance:
750Ω or less (when 4 to 20 mA DC)
300Ω or less (when 10 to 50 mA DC)
Zero adjustment: -1 to 1%
Span adjustment: 95 to 105%

Standard Performance

Accuracy rating: ±0.1% of span
Response speed: 150 ms, 63% response (10 to 90%)
Insulation resistance: 100 MΩ or more at 500 V
DC between input and output, input and power supply, input and ground, output and power supply, output and ground, and power supply and ground.



Withstand voltage:

DC drive; 1500 V AC/min. between output and (input and power supply).
500 V AC/min. between input and power supply.
AC drive; 1500 V AC/min. between input and output, input and power supply, input and ground, output and power supply, output and ground, and power supply and ground.

Environmental Conditions

Operating temperature range: 0 to 50°C
Operating humidity range: 5 to 90% RH (no condensation)
Power supply voltage: 85 to 264 V AC, 47 to 63 Hz or 24 V DC±10%
Effect of power supply voltage fluctuations: ±0.1% of span or less for fluctuation within the operating range of power supply voltage specification.
Effect of ambient temperature change: ±0.2% of span or less for a temperature change of 10°C.
Current consumption: 24 V DC 85 mA (WA0A-6x-1)
Power consumption: 100 V AC 9 VA (WA0A-6x-2)

Mounting and Dimensions

Material: ABS resin (Case body)
Mounting method: Rack, Wall or DIN rail mounting
Connection method: M4 screw terminals
External dimensions: 72 × 48 × 127 mm (H x W x D)
Weight: DC; Approx. 150 g, AC; Approx. 300 g

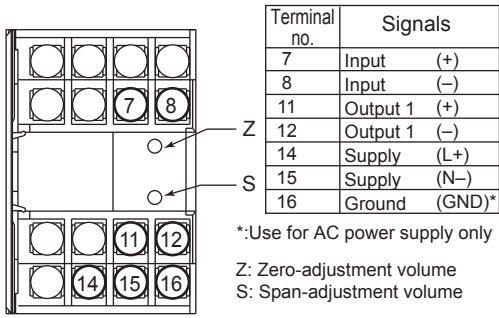
Standard Accessories

Tag number label: 1
Mounting block: 2
Mounting screw: M4 screw x 4

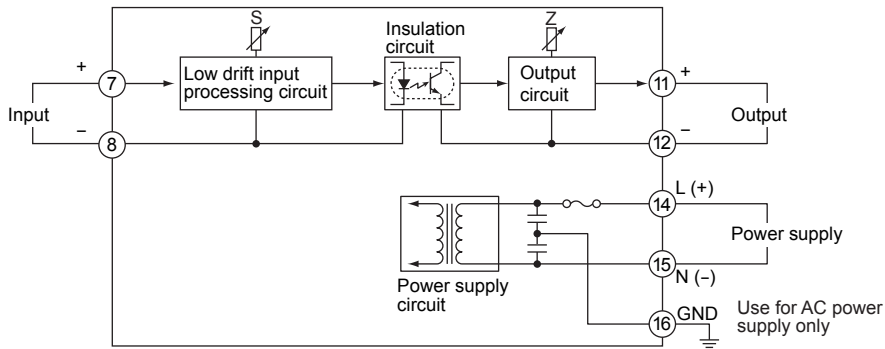
Custom Order Specifications

	Current signal
Output range (DC)	1 to 50 mA
Span (DC)	1 to 40 mA
Zero elevation	25%

Terminal Assignments



Block Diagram



External Dimensions

