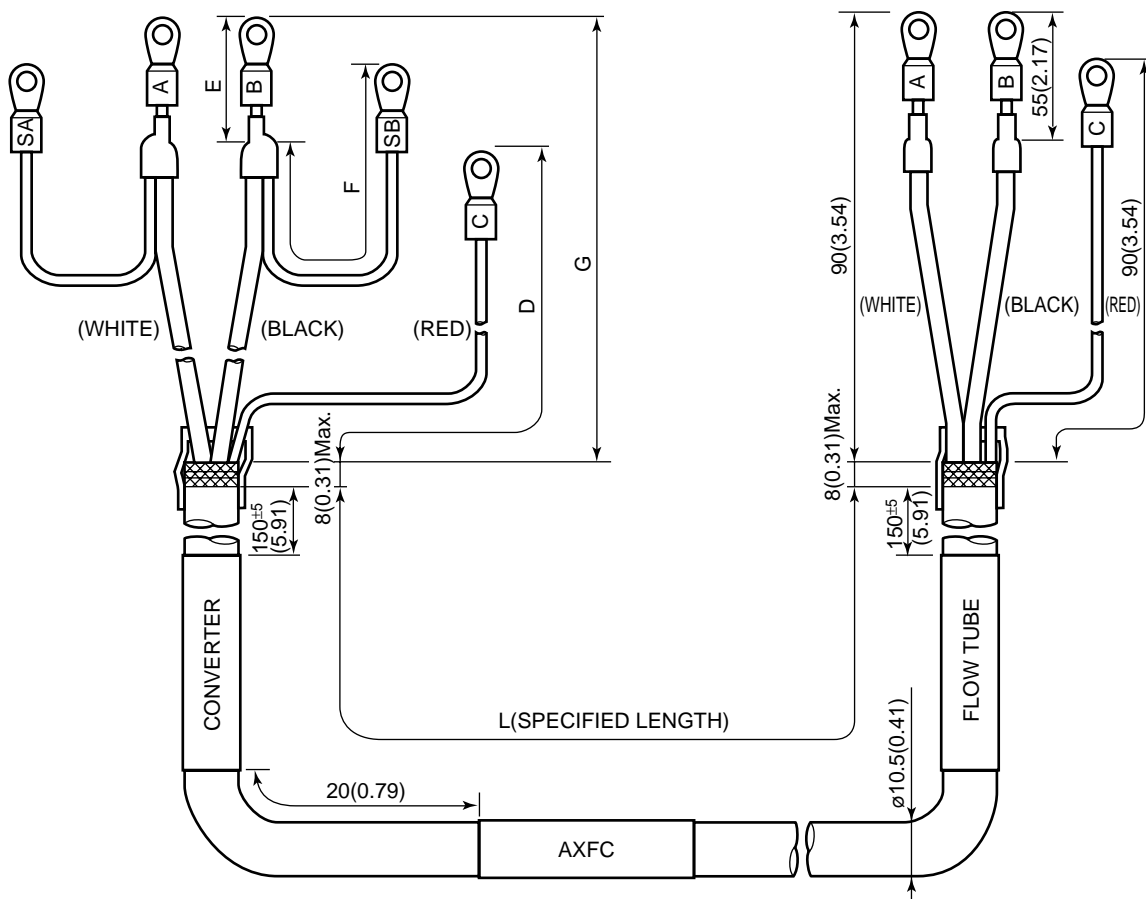


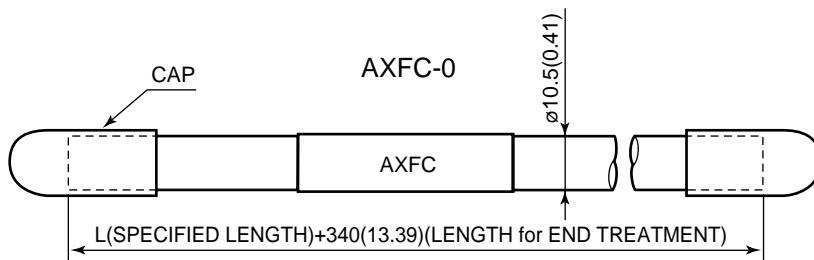
AXFC  
Magnetic Flowmeter Dedicated Signal Cable  
For the ADMAG AXF Series

Unit : mm  
(approx. inch)

AXFC-4



Model	D	E	F	G
AXFC-4	70(2.76)	25(0.98)	50(1.97)	60(2.36)



FK01E.EPS

Unless otherwise specified, difference in the dimensions are specified as : General tolerance = ± (Criteria of tolerance class IT18 in JIS B0401) / 2