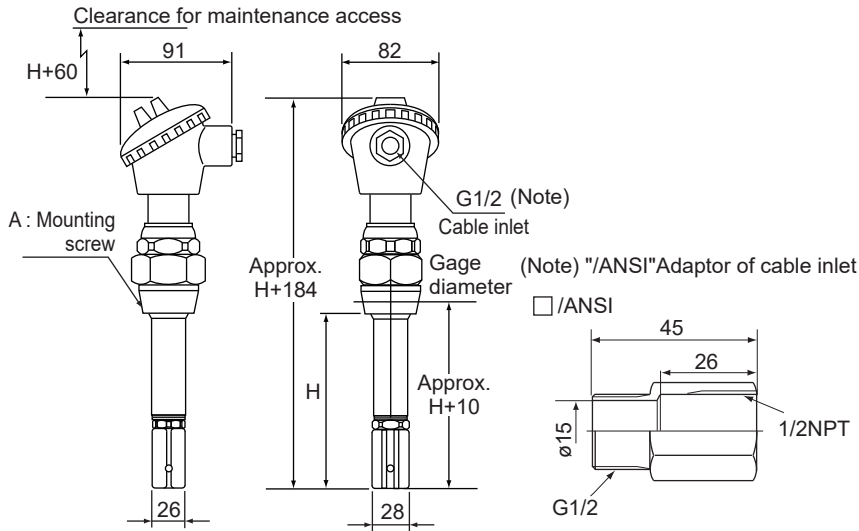


Drawings

SC210G-A-10□, SC210G-V-10□ Screw-in type Conductivity Detector for Low Range

Unit: mm



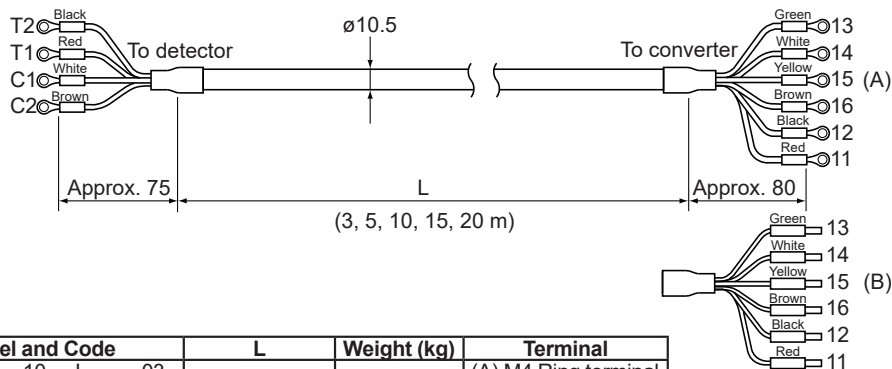
Mounting screw

Model and Code	A
SC210G - A - 100	R 1-1/2
SC210G - V - 100	
SC210G - A - 103	1-1/2 NPT
SC210G - V - 103	

Insertion length (Sensor length)

Model and Code	H	Weight (kg)
SC210G - □ - 10□ - L015 - □□*A	150	Approx. 2.1
SC210G - □ - 10□ - L030 - □□*A	300	Approx. 2.3
SC210G - □ - 10□ - L050 - □□*A	500	Approx. 2.7
SC210G - □ - 10□ - L100 - □□*A	1000	Approx. 4.2
SC210G - □ - 10□ - L150 - □□*A	1500	Approx. 5.0
SC210G - □ - 10□ - L200 - □□*A	2000	Approx. 5.8

● SC210G Detector - converter connection cable (accessory)



Model and Code	L	Weight (kg)	Terminal
SC210G - □ - 10□ - L□□□ - 03	Approx. 3000	Approx. 0.9	(A) M4 Ring terminal
SC210G - A - 10□ - L□□□ - Y1			(A) M3 Ring terminal
SC210G - A - 10□ - L□□□ - AA	Approx. 5000	Approx. 1.5	(B) Pin terminal
SC210G - □ - 10□ - L□□□ - 05			(A) M4 Ring terminal
SC210G - A - 10□ - L□□□ - Y2	Approx. 10000	Approx. 3.0	(A) M3 Ring terminal
SC210G - A - 10□ - L□□□ - BB			(B) Pin terminal
SC210G - □ - 10□ - L□□□ - 10	Approx. 15000	Approx. 4.5	(A) M4 Ring terminal
SC210G - A - 10□ - L□□□ - Y3			(A) M3 Ring terminal
SC210G - A - 10□ - L□□□ - CC	Approx. 20000	Approx. 6.0	(B) Pin terminal
SC210G - □ - 10□ - L□□□ - 15			(A) M4 Ring terminal
SC210G - A - 10□ - L□□□ - Y4	Approx. 20000	Approx. 6.0	(A) M3 Ring terminal
SC210G - A - 10□ - L□□□ - DD			(B) Pin terminal
SC210G - □ - 10□ - L□□□ - 20	Approx. 20000	Approx. 6.0	(A) M4 Ring terminal
SC210G - A - 10□ - L□□□ - Y5			(A) M3 Ring terminal
SC210G - A - 10□ - L□□□ - EE			(B) Pin terminal

Unless otherwise specified, differences in the dimensions are specified as: General tolerance = ±(Criteria of tolerance class IT18 in JIS B0401-1998)/2.