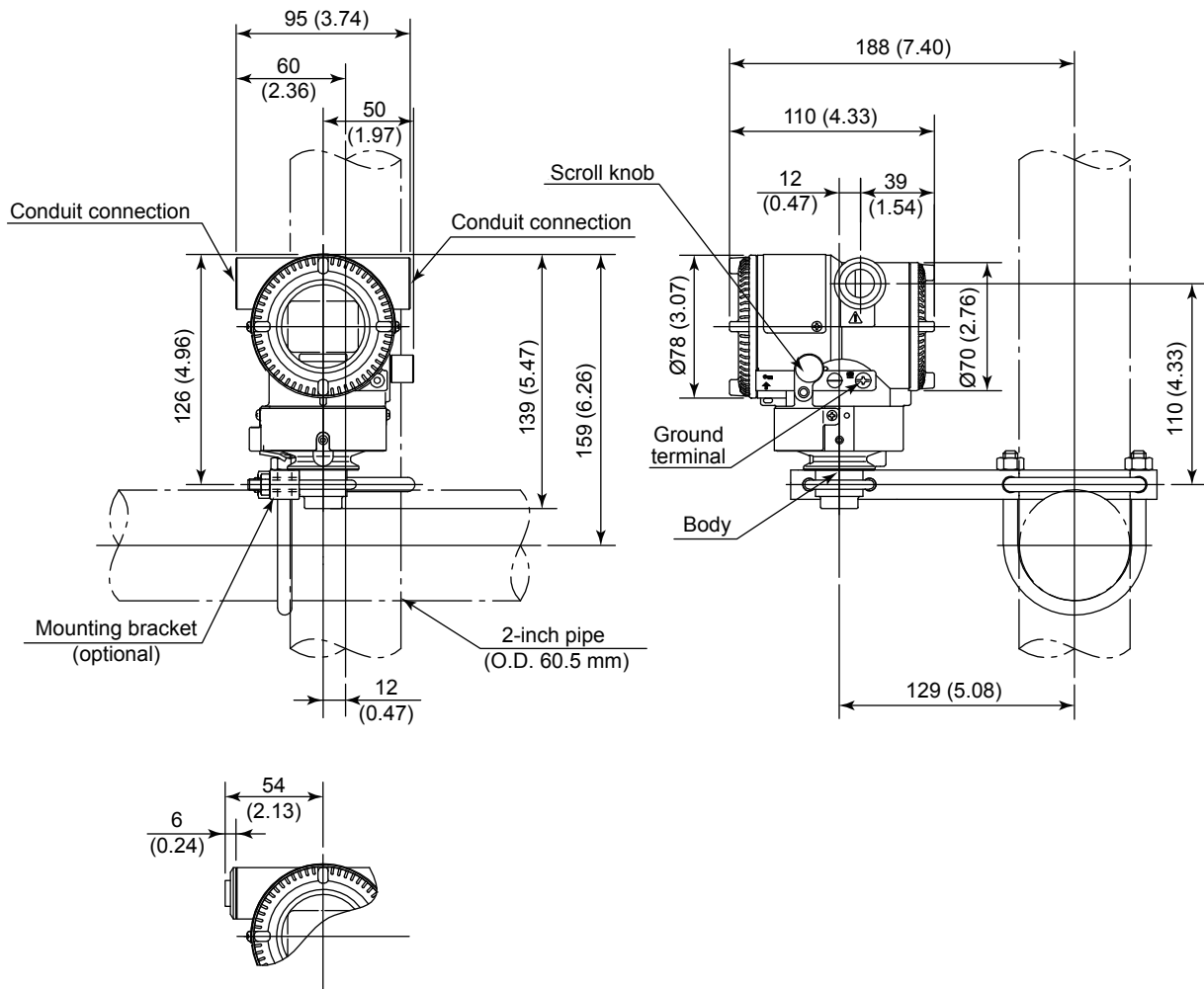


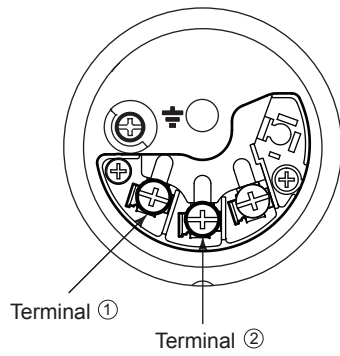
SD 01S01C01-01EN

Unit: mm (approx. inch)



Electrical connection for code 5, 9, A and D

- Terminal Configuration



- Terminal Wiring

SUPPLY +	①] Power supply and output terminals
-	②	
		⏏ Ground terminal