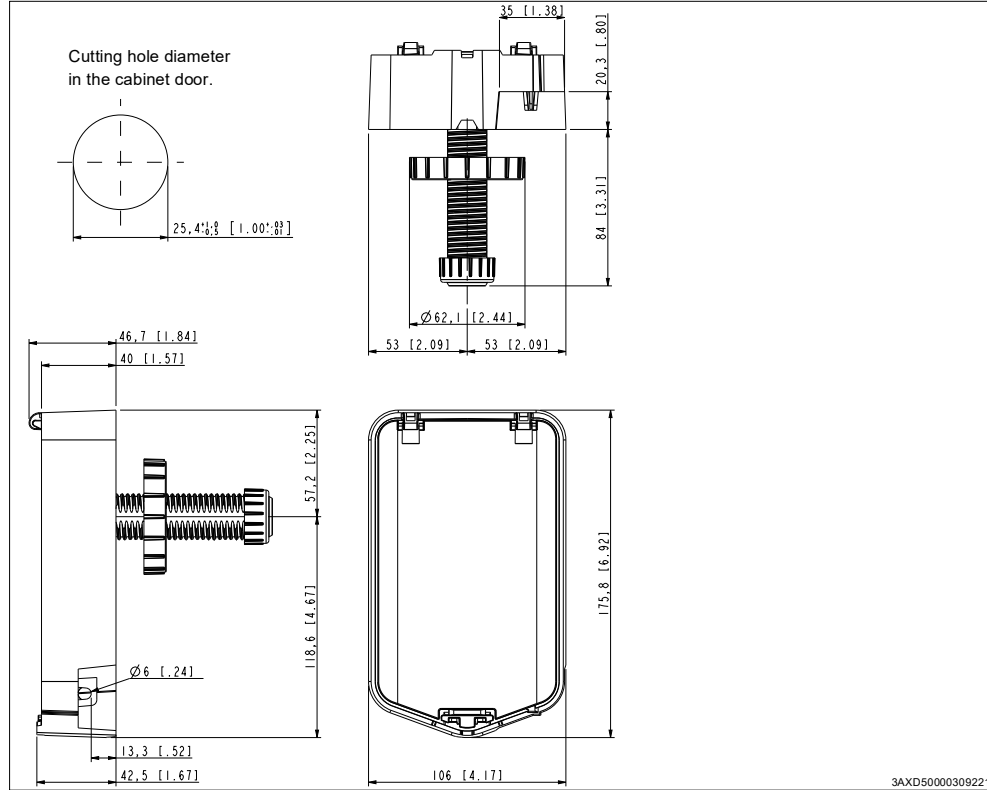


## Dimension drawings



## Technical data

Degree of protection: IP66 (inside and outside the cabinet door).

Impact protection: IK07.

UV protection against sunlight.

Allowed surrounding air temperature: see *ACx-AP-x Assistant control panels user's manual* (3AUA0000085685 [English]). **Note:** If the temperature raises above 45 °C (113 °F), protect the mounting platform from direct sunlight.

Cable: 3 m, Cat 5e UTP. DPMP-04 has a cable with male RJ45 connectors at both ends. DPMP-05 has a cable with a male RJ45 connector at the panel end and a multipole flat connector at the control unit end.

Cabinet door: Maximum thickness 60 mm (2.36 in), flat parallel surface on both sides.

[abb.com/drives](http://abb.com/drives)



3AXD50000308484A

© Copyright 2019 ABB. All rights reserved.  
Specifications subject to change without notice.

3AXD50000308484 Rev A (EN) 2019-06-13

OPTIONS FOR ABB DRIVES

# DPMP-04 and DPMP-05 mounting platform for control panels

## Installation guide

### Overview

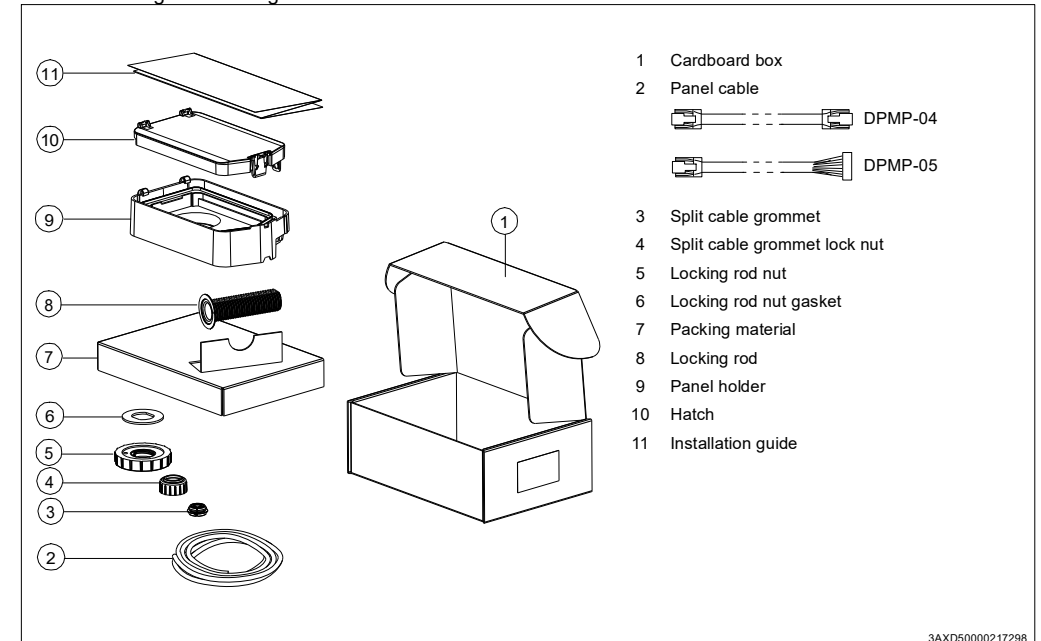
DPMP-04 and DPMP-05 are lockable door mounting platforms for drive control panels in outdoor installations or harsh environments.

Compatible control panels: ACS-BP-S, ACS-AP-I, ACS-AP-S, ACS-AP-W, ACH-AP-H, ACH-AP-W

Ordering codes: 3AXD50000217717 (DPMP-04), 3AXD50000240319 (DPMP-05)

### Unpacking and examining the delivery

This figure shows the content of the mounting platform kit package. Examine that all items are present and there are no signs of damage.



## Installation instructions

1. Cut a hole in the cabinet door. See [Dimension drawings](#) on back page.
2. Align the holes in the panel mounting platform and the cabinet door. Put the locking rod into the hole.
3. Put the locking rod nut gasket and nut on the rod. Carefully align the locking rod nut gasket with the rod.
4. Tighten the locking rod nut. Pre-fix the split cable grommet lock nut on the rod end.
5. Put the data cable through the locking rod.
6. Plug the data cable into the control panel connector. Put the control panel into the mounting platform.
7. Loosen the split cable grommet lock nut on the rod end. Put the split cable grommet around the data cable the way shown in the picture.
8. Tighten the split cable grommet with the lock nut.
9. Secure the data cable, for example, with a cable tie to avoid mechanical stress to the panel connector. Leave some loose cable for opening the cabinet door or removing the control panel.
10. Connect the other end of the cable to the appropriate connector. See the drive hardware manual.
11. Assembly with the hatch on.
12. If needed, lock the panel mounting platform with a padlock (not included in the delivery).

