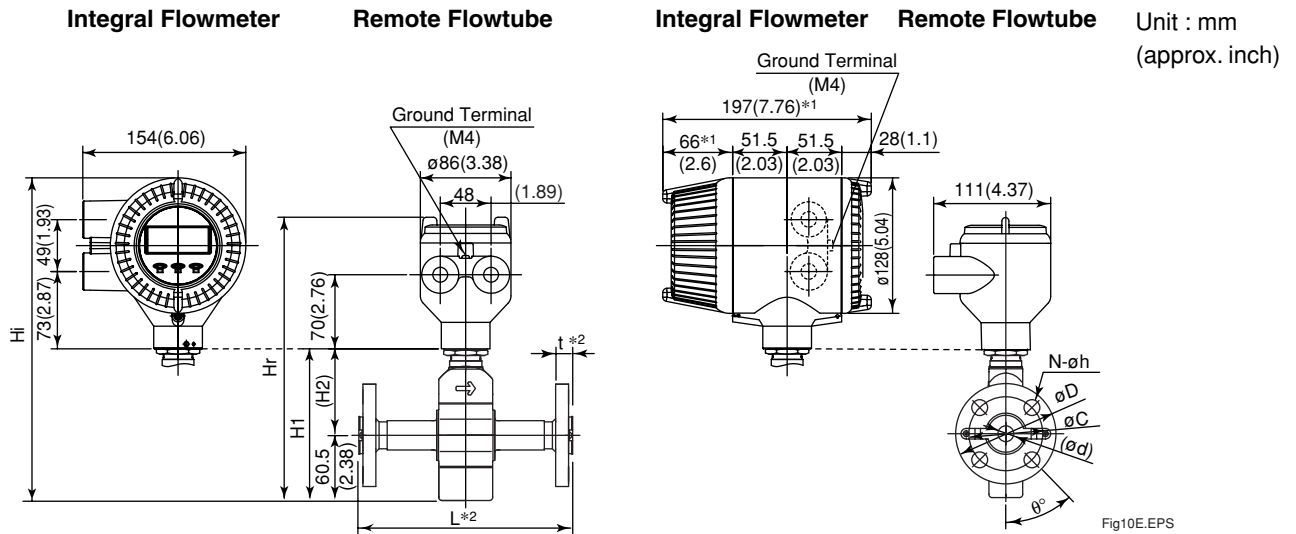


# Drawings

## AXF002, AXF005, AXF010 AXF Integral Flowmeter/Remote Flowtube AXF Standard (JIS/DIN Flange 10mm Diameter) Fluorocarbon PFA Lining



\*No infra-red switches are furnished for Fieldbus communication type.

### Model code:

AXF002 <sup>\*4</sup> D E 1  
 AXF005 G F 2 A □ 1 □ — D J 2 1  
 AXF010 C G N — — D D 4  
 N  
 P

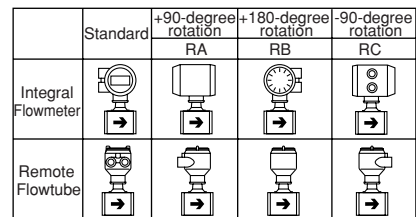
\*4: D, E, F, G; Integral Flowmeter, N, P: Remote Flowtube

Model	Process Connection	DJ1 (JIS10K)			DJ2 (JIS20K)			DD4 (DIN PN40)		
		002	005	010	002	005	010	002	005	010
	Size	2.5 (0.1)	5 (0.2)	10 (0.4)	2.5 (0.1)	5 (0.2)	10 (0.4)	2.5 (0.1)	5 (0.2)	10 (0.4)
	Lining code	A	A	A	A	A	A	A	A	A
Remote Flowtube	Face-to-face length	L <sup>*2</sup> <sub>3</sub> 150(5.91)			150(5.91)			150(5.91)		
	Outside dia.	0D 90(3.54)			90(3.54)			90(3.54)		
	Thickness	t <sup>*2</sup> 18 to 22 (0.71 to 0.87)			20 to 24 (0.79 to 0.94)			21 to 25 (0.83 to 0.98)		
	Inner diameter of Grounding ring	0d 12(0.47)			12(0.47)			12(0.47)		
	Pitch circle dia.	0C 65(2.56)			65(2.56)			60(2.36)		
Integral Flowmeter	Bolt hole interval	0° 45			45			45		
	Hole dia.	0h 15(0.59)			15(0.59)			14(0.55)		
	Number of holes	N 4			4			4		
	Height	H1	141(5.54)	141(5.54)	141(5.54)	141(5.54)	141(5.54)	141(5.54)	141(5.54)	141(5.54)
Remote Flowtube	Max. Height	Hr	265(10.43)	265(10.43)	265(10.43)	265(10.43)	265(10.43)	265(10.43)	265(10.43)	265(10.43)
	Weight kg (lb)		3.3(7.3)	3.4(7.5)	3.4(7.5)	3.4(7.5)	3.6(7.9)	3.6(7.9)	3.6(7.9)	3.6(7.9)
Integral Flowmeter	Max. Height	Hi	303(11.91)	303(11.91)	303(11.91)	303(11.91)	303(11.91)	303(11.91)	303(11.91)	303(11.91)
	Weight kg (lb)		5.0(11.0)	5.1(11.2)	5.1(11.2)	5.1(11.2)	5.3(11.7)	5.3(11.7)	5.3(11.7)	5.3(11.7)

Lining code : A; Fluorocarbon PFA

TD10-3E.EPS

\* When option code RA, RB, or RC is selected, the direction of electrical connection change as below.



F19-1E.EPS

\*1: When indicator code N is selected, subtract 12mm(0.47inch) from the value in the figure. In case of explosion proof type with indicator, add 5 mm (0.2 inch) to it.

\*2: Depending on the selection of grounding ring code and optional code, add the following value to "L"(face-to-face length) and "t"(thickness of flange).

Grounding Ring Code	L		t		L		t		
	S	L, H, V	P	T	N	N	N	N	
Option Code	None	+0	+0	+26(1.02)	+13(0.51)	-2(0.08)	-1(0.04)	-	-
GA, GC, GD (Special Gaskets)	+8(0.31)	+4(0.16)	+3(0.18)	+15(0.59)	-	-	-	-	-

Unless otherwise specified, difference in the dimensions are specified as : General tolerance = ± (Criteria of tolerance class IT18 in JIS B0401) / 2

## Integral Flowmeter

### BRAIN/HART Communication Type

#### Terminal configuration

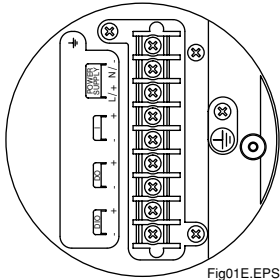


Fig01E.EPS

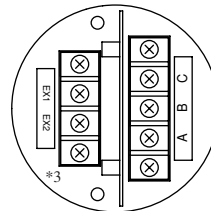
#### Terminal wiring

Terminal Symbols	Description
	Functional grounding
N/- L/+	Power supply
I+ I-	Current output 4 to 20mA DC
DO+ DO-	Pulse output/Alarm output/ Status output
DIO+ DIO-	Alarm output/Status output Status input
	Protective grounding (Outside of the terminal)

Fig01-2E.EPS

## Remote Flowtube

#### Terminal configuration



\*3: In case of explosion proof type, (functional grounding terminal) is added.

Fig02E.EPS

#### Terminal wiring

Terminal Symbols	Description
A B C	Flow signal output
EX1 EX2	Excitation current input
	Protective grounding (Outside of the terminal)

### FOUNDATION Fieldbus/PROFIBUS PA Communication type

#### Terminal configuration

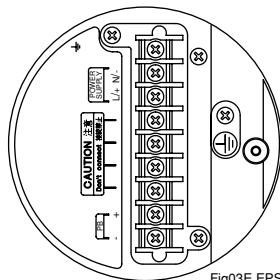


Fig03E.EPS

#### Terminal wiring

Terminal Symbols	Description
	Functional grounding
N/- L/+	Power supply
FB+ FB-	Fieldbus communication signal
	Protective grounding (Outside of the terminal)

Fig01-3E.EPS