

Introduction

This instruction manual describes the components of the SS380G MLSS calibration kit. For details of how to use of this calibration kit, refer to the SS400G MLSS Converter Instruction Manual (IM 12E6B1-01E).

1. Overview

The SS380G MLSS calibration kit contains a number of items used to perform solution calibration with the EXAss series SS400 MLSS metering system, including a calibration container, magnetic stirrer, etc.

2. Model and Code

MLSS Calibration Kit MS Code

Model	Suffix code	Option code	Specifications
SS380G	MLSS calibration kit
	- NN	Always-NN

List of Items Contained

No.	Item	Part No.	Q'ty	Remarks
1a	Calibration container	K9433KA	1	900 ml
1b	Container cover	K9433KE	1	
2a	Magnetic stirrer	K9433KQ	1	
2b	Power cord for stirrer	—	1	
3a	Stirrer	K9433KS	1	Rod type
3b	Stirrer	K9433KR	1	Cross-head type
4	Beaker	K9211XG	1	300 ml
5	Conical flask	K9433KU	1	250 ml
6	Plastic bottle	K9211XH	1	500 ml

3. External View and Included Items

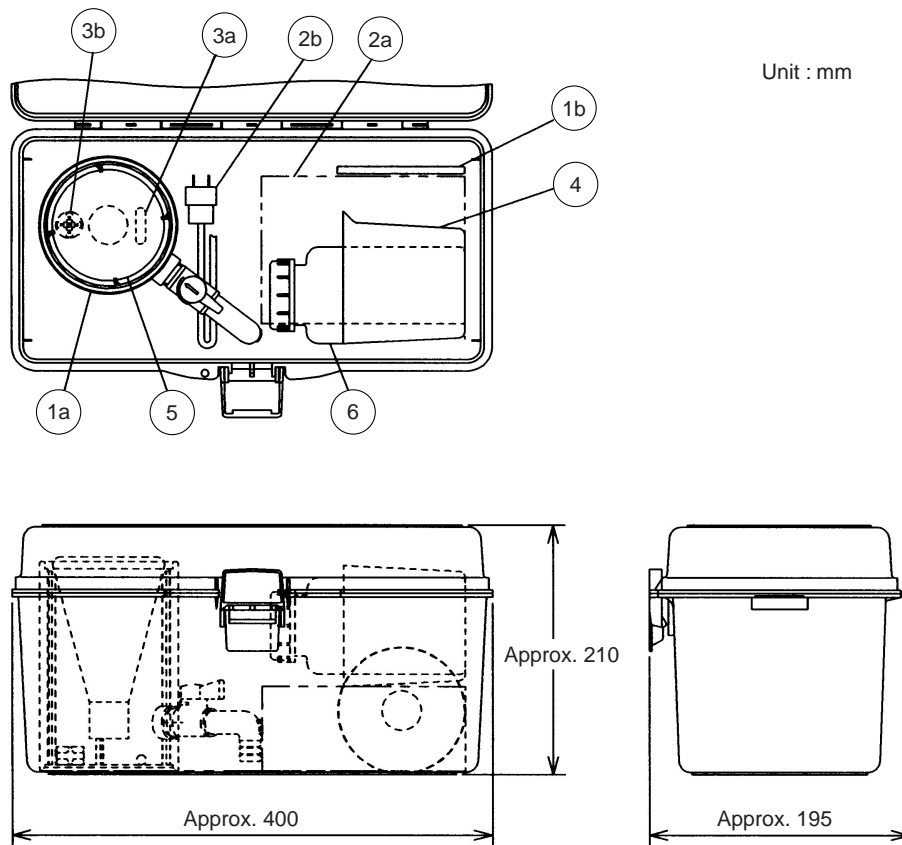
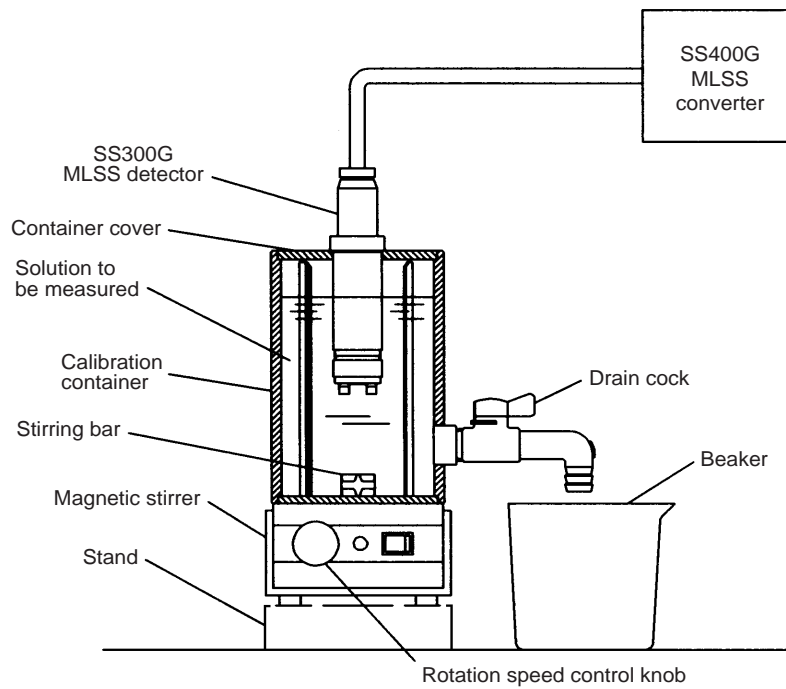


Figure 1. External View of SS380G MLSS Calibration Kit (Container Case and Items Contained)

4. Installation Diagram



Note : When performing solution calibration with the EXAss series SS400 MLSS metering system, use a 3b (cross-head type) stirring bar. If not enough stirring, use a 3a (rod type).

Figure 2. Inatalling the Calibration Kit