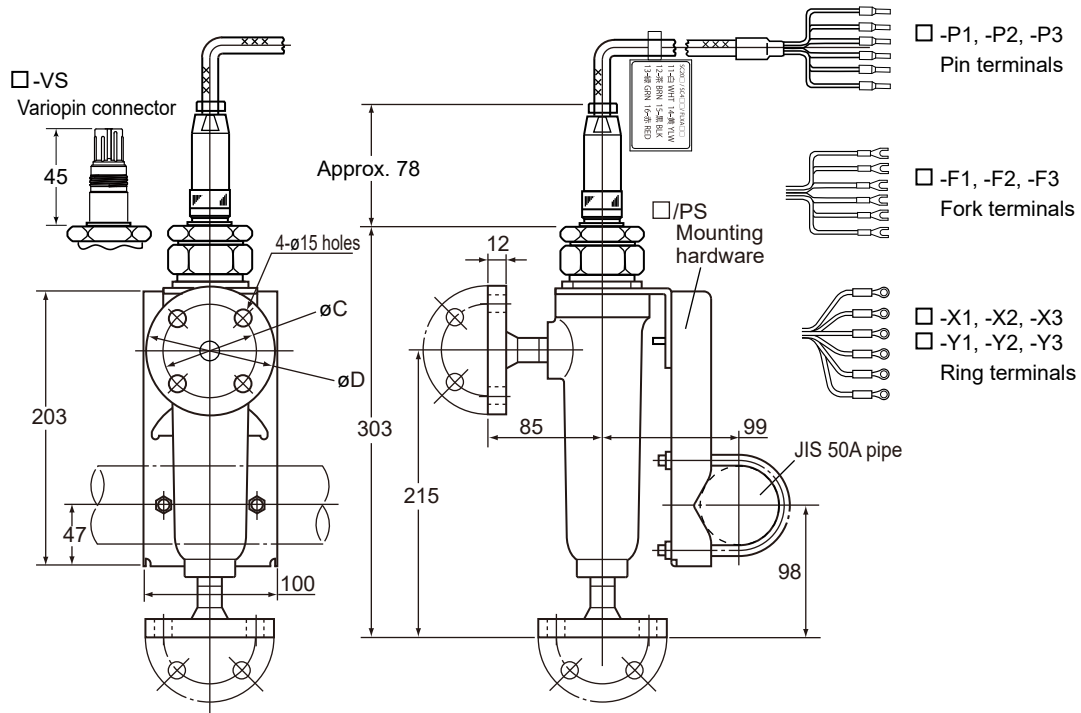


Drawings

SC8SG - R □□ - □ - 314 SC8SG - R □□ - □ - 315 Flow-through type Conductivity detector (for Flange connection)

Unit: mm



Model and Suffix Code	Flange rating	ØC	ØD
SC8SG - R□□ - □ - 314	JIS 10K 15 FF	70	95
SC8SG - R□□ - □ - 315	ANSI Class150 1/2 FF	60.5	88.9

Weight : Approx. 3.2 kg (excluding the cable)
Cable : 5.5m length : Approx. 0.3 kg
10m length : Approx. 0.5 kg
20m length : Approx. 0.9 kg

Unless otherwise specified, differences in the dimensions are specified as: General tolerance = ±(Criteria of tolerance class IT18 in JIS B0401-1998)/2.