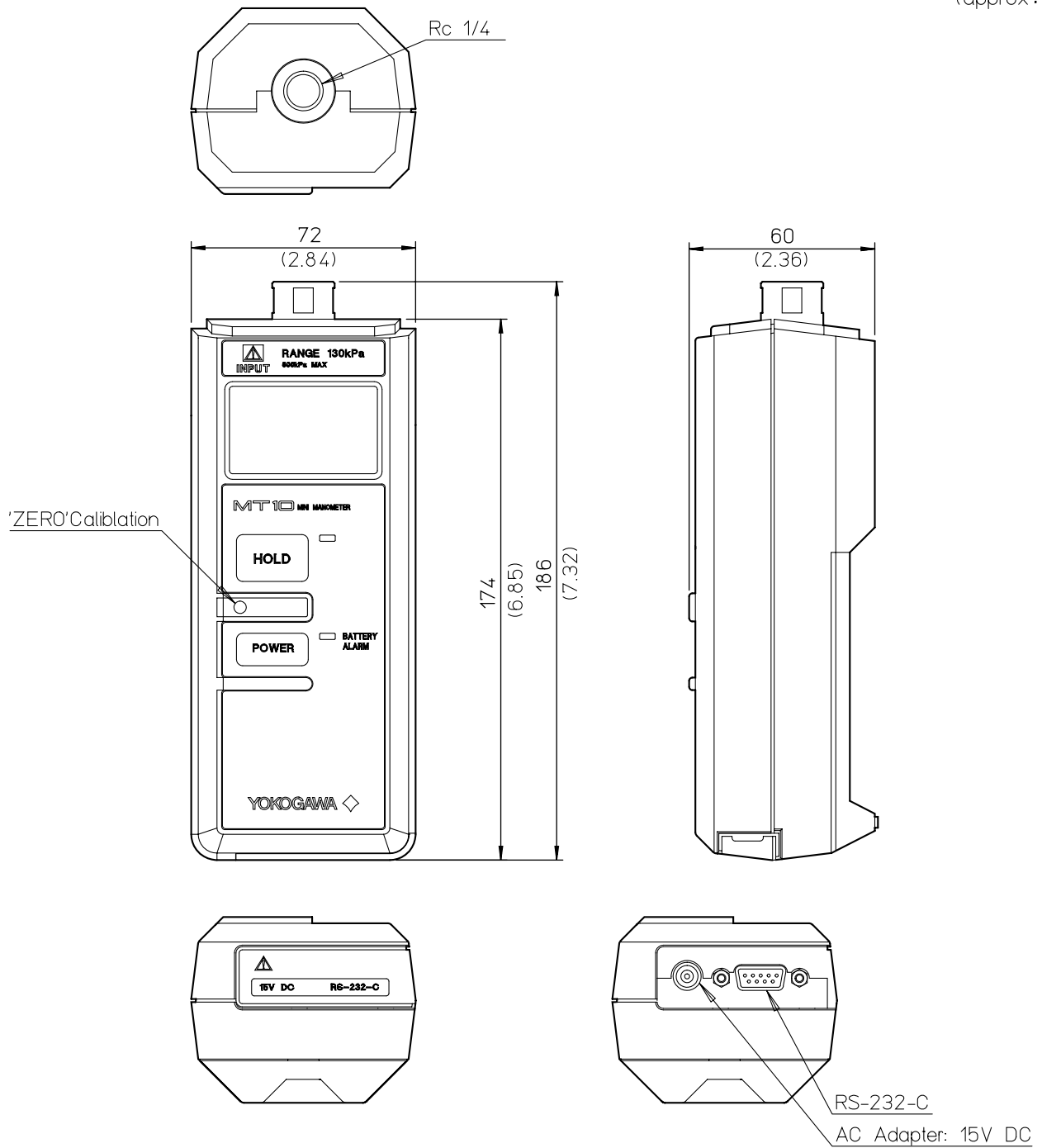


# Drawings

MODEL 2653 01  
 MODEL 2653 02  
 MODEL 2653 03  
 MODEL 2653 04  
 Mini Manometer

MT10

Unit : mm  
 (approx. inch)



Weight : Approx. 0.7kg

If not specified, the tolerance is  $\pm 3\%$ . However, in cases of less than 10mm, the tolerance is  $\pm 0.3\text{mm}$ .