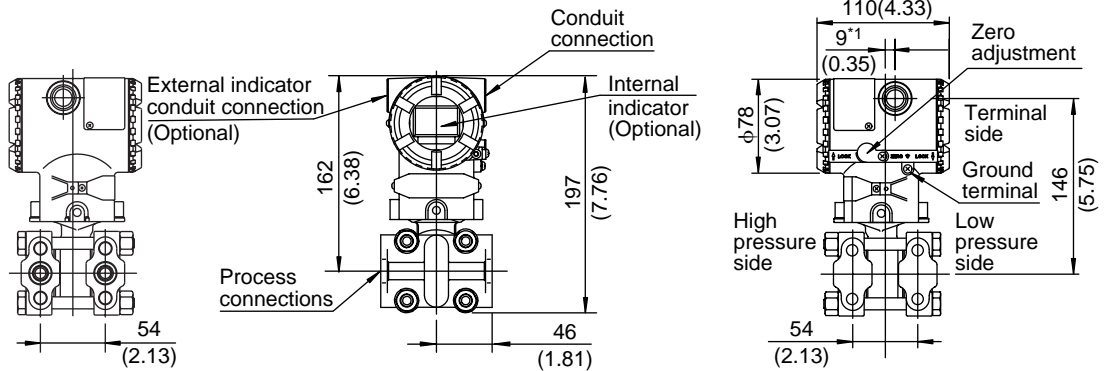
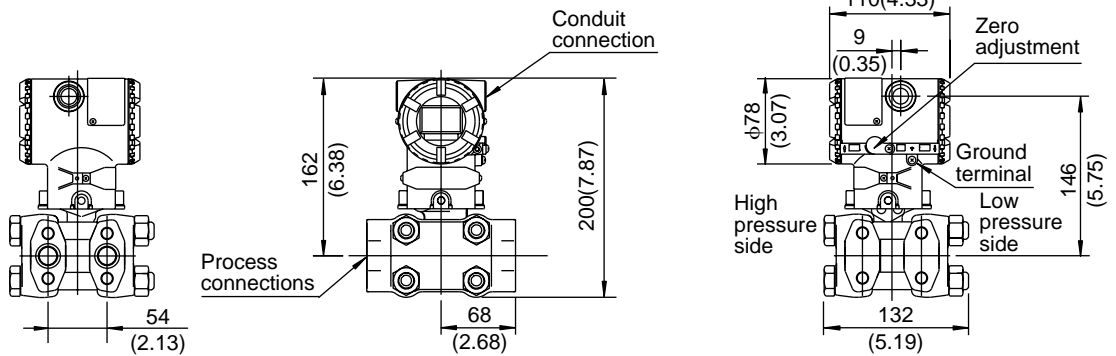


Unit: mm(approx. inch)

● EJA110A and EJA120A

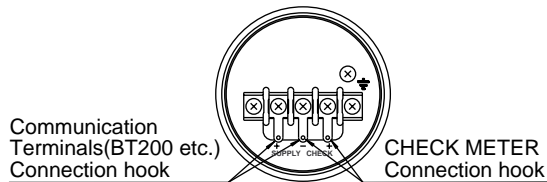


● EJA130A



*1: Indicates dimensions for EJA110A. 12 mm(0.47 inch) for EJA120A.

● Terminal Configuration



● Terminal Wiring

SUPPLY $\begin{matrix} + \\ - \end{matrix}$	Power supply and output terminal
CHECK $\begin{matrix} + \\ - \end{matrix}$	External indicator(ammeter) terminal
---	Ground terminal