

1. INSPECTION

This instrument has been thoroughly tested at the factory before shipment. However, when you receive it, visually inspect it for damage and check the accessories.

1.1 Model number and specification check

Check to see the model number and specifications shown in the nameplate on the front cover of the instrument are as ordered.

1.2 Contents of the instruction manual

This instruction manual provides explanations on mounting methods, external wiring, and maintenance.

2. GENERAL

This instrument receives voltage signal and divides it into 1/1000.

Accessories :	Mounting block	2
	Tag number label	1
	Mountin screw M4	2

3. MOUNTING METHOD

JUXTA signal conditioners can be mounted on rack, wall or DIN rail.

3.1 Rack mounting

Use a panel (FRK-16) and install it on an angle as shown in Fig.1. This is a convenient method for high density mounting of the instrument on 19-inch rack panel. (See Fig.7)

3.2 Wall mounting

Use a panel (FRK-16) to mount the instrument on the wall or directly mount it on the wall. (See Fig.7 & 8)

3.3 DIN rail mounting

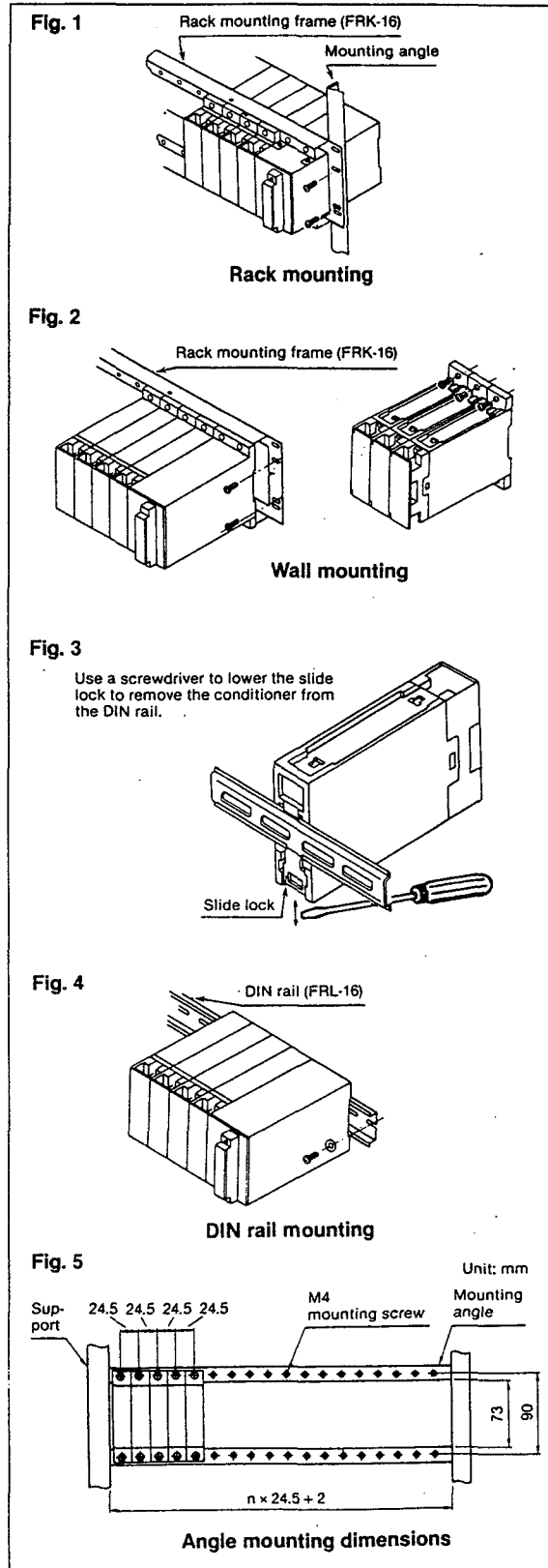
Insert DIN rail into the upper section of the DIN rail groove on the rear of the instrument and fix the rail with a slide lock at the base of the instrument as shown in Fig.3 and 4.

3.4 Angle mounting

See Fig.5 for angle mounting of the instrument.

3.5 Mounting block installation and removal

Insert a mounting block into the instrument groove as shown in Fig.6 and slide it until it is locked with the stopper. To remove it, lift up the mounting block stopper with a (-) screwdriver and slide it along the groove.



4. External Wiring

Open the terminal cover of the instrument and wire the terminals. Flexible twisted wires and good contact of durable round crimp-on terminals (JIS C2805) are recommended to be used.

4.1 Signal Cable

Nominal cross-sectional area of conductor:
 $0.5 \sim 0.75 \text{ mm}^2$

Example of suitable cable:

Twisted vinyl cord (VSF) (JIS C3306)

4.2 Power Cable

Nominal cross-sectional area of conductor:
 $1.25 \sim 2.00 \text{ mm}^2$

Example of suitable cable:

Twisted 600V vinyl cord (IV)(JIS C3307)

4.3 Wiring

- ① See Fig.9 for terminal arrangement.
- ② Connect input voltage signal cable to 1(+), 3(-) of the instrument.
- ③ Connect output signal cable to 4(+), 5(-) of the instrument. (See Fig.10)

Fig. 6

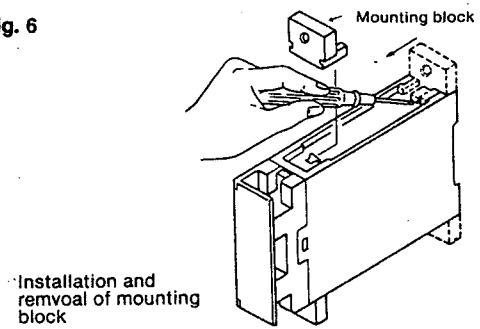


Fig. 7

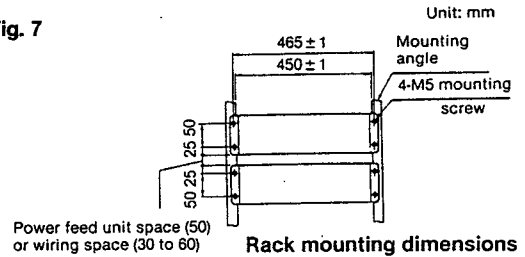


Fig. 8

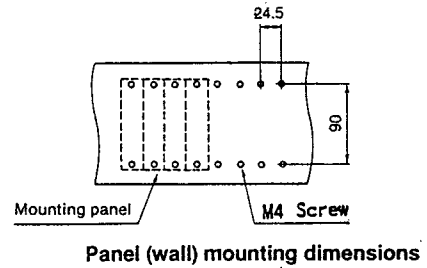


Fig. 9

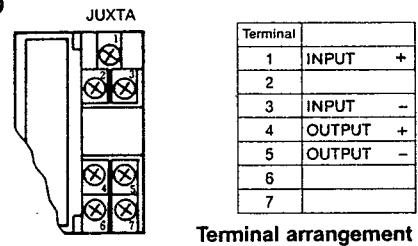
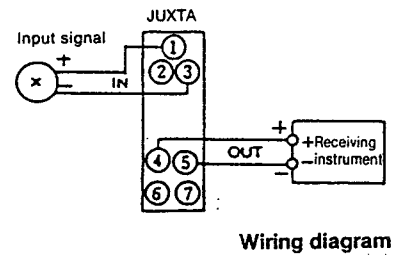


Fig. 10



Subject to change without notice for grade up quality and performance.