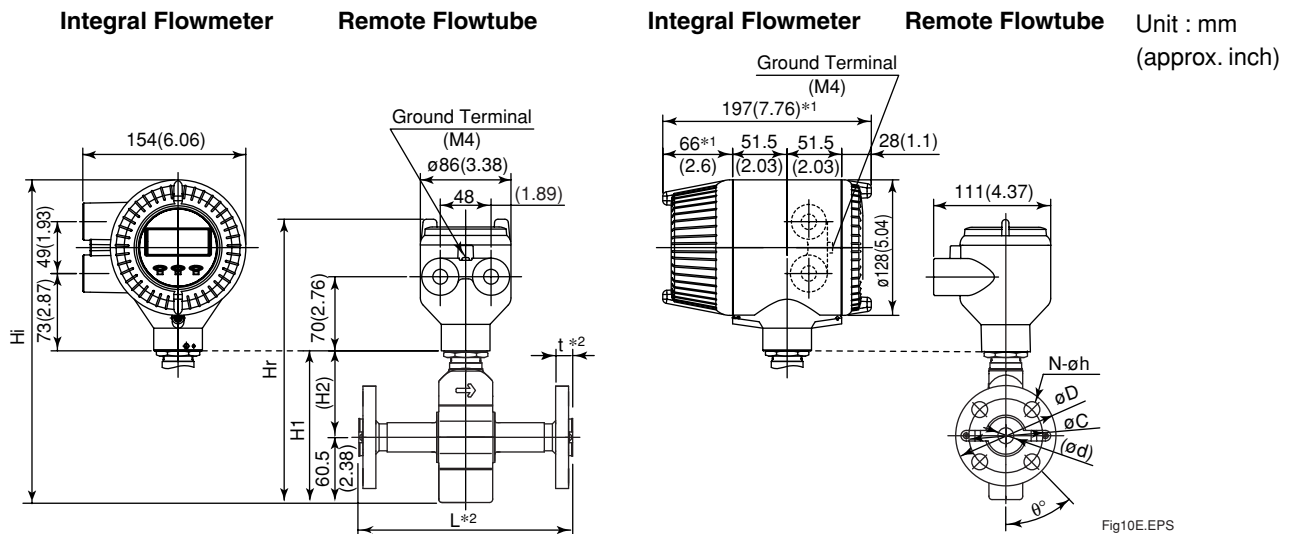


Drawings

AXF002, AXF005, AXF010, AXF015 AXF Integral Flowmeter/Remote Flowtube AXF Standard (JIS Flange) Fluorocarbon PFA Lining



*No infra-red switches are furnished for Fieldbus communication type.

Model code:

AXF002 ^{*5} D
 AXF005 G E 1
 AXF010 W F 2 A □ 1 □ — B J 1
 AXF015 C G N P J 1

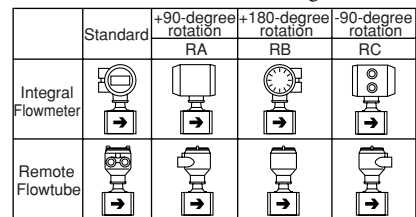
*5: D, E, F, G; Integral Flowmeter, N, P: Remote Flowtube

Model	Process Connection		BJ1/PJ1 (JIS10K)				BJ2 (JIS20K)			
	Size code		002	005	010	015	002	005	010	015
	Size		2.5 (0.1)	5 (0.2)	10 (0.4)	15 (0.5)	2.5 (0.1)	5 (0.2)	10 (0.4)	15 (0.5)
	Lining code		A	A	A	A	A	A	A	A
Remote Flowtube	Face-to-face length	L ₃ ^{*2}	150(5.91)				150(5.91)			
	Outside dia.	øD	95(3.74)				95(3.74)			
	Thickness	t ^{*2}	18 to 22 (0.71 to 0.87)				16 (0.63)			
	Inner diameter of Grounding ring	ød	15(0.59)				15(0.59)			
Integral Flowmeter	Pitch circle dia.	øC	70(2.76)				70(2.76)			
	Bolt hole interval	θ°	45				45			
	Hole dia.	øh	15(0.59)				15(0.59)			
	Number of holes	N	4				4			
Remote Flowtube	Height	H1	141(5.54)				141(5.54)			
	Height	H2	80(3.15)				80(3.15)			
Remote Flowtube	Max. Height	Hr	265(10.43)				265(10.43)			
	Weight kg (lb) ^{*3}		3.4(7.5)		3.5(7.7)		3.6(7.9)		3.7(8.2)	
Integral Flowmeter	Max. Height	H _i	303(11.91)				303(11.91)			
	Weight kg (lb)		5.1(11.2)		5.2(11.5)		5.3(11.7)		5.4(11.9)	

Lining code : A; Fluorocarbon PFA

TD10-1E.EPS

* When option code RA, RB, or RC is selected, the direction of electrical connection change as below.



F19-1E.EPS

*1: When indicator code N is selected, subtract 12mm(0.47inch) from the value in the figure. In case of explosion proof type with indicator, add 5 mm (0.2 inch) to it.

*2: Depending on the selection of grounding ring code and optional code, add the following value to "L"(face-to-face length) and "t"(thickness of flange).

Grounding Ring Code	L		t		L		t	
	S	L, H, V	P	T	N			
Option Code	None	+0	+0	+26(1.02)	+13(0.51)	-2(0.08)	-1(0.04)	
	GA, GC, GD (Special Gaskets)	+8(0.31)	+4(0.16)	+30(1.18)	+15(0.59)	-	-	

*3: When submersible type or option code DHC is selected, waterproof glands and a 30m long cable are attached. Add 9.5kg(20.9lb) to the weight in the table.

Unless otherwise specified, difference in the dimensions are specified as : General tolerance = ± (Criteria of tolerance class IT18 in JIS B0401) / 2

Integral Flowmeter

BRAIN/HART Communication Type

Terminal configuration

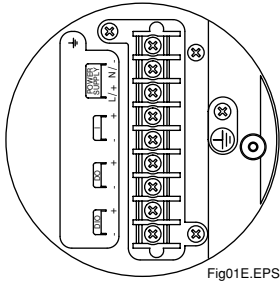


Fig01E.EPS

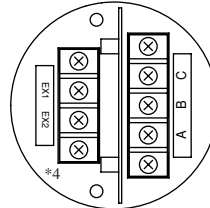
Terminal wiring

Terminal Symbols	Description
	Functional grounding
N/- L/+	Power supply
I+ I-	Current output 4 to 20mA DC
DO+ DO-	Pulse output/Alarm output/ Status output
DIO+ DIO-	Alarm output/Status output Status input
	Protective grounding (Outside of the terminal)

Fig01-2E.EPS

Remote Flowtube

Terminal configuration



*4: In case of explosion proof type, (functional grounding terminal) is added.

Fig02E.EPS

Terminal wiring

Terminal Symbols	Description
A B C	Flow signal output
EX1 EX2	Excitation current input
	Protective grounding (Outside of the terminal)

FOUNDATION Fieldbus/PROFIBUS PA Communication type

Terminal configuration

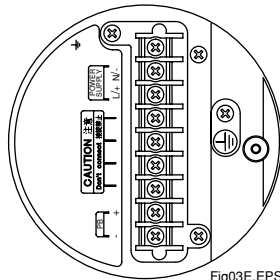


Fig03E.EPS

Terminal wiring

Terminal Symbols	Description
	Functional grounding
N/- L/+	Power supply
FB+ FB-	Fieldbus communication signal
	Protective grounding (Outside of the terminal)

Fig01-3E.EPS