

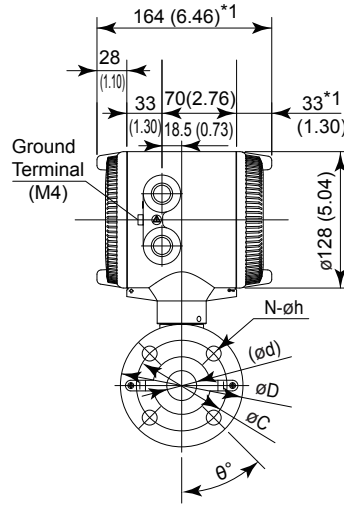
AXR040
AXR050
AXR065

G
C

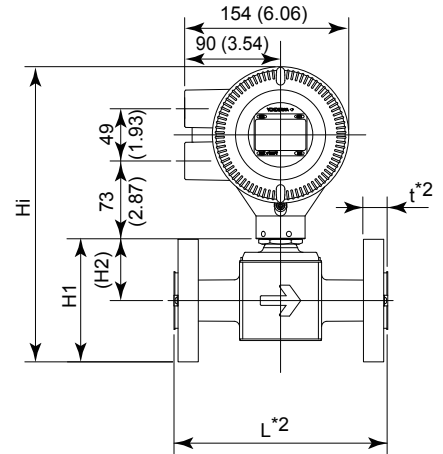
□ 1 A □ 1 □

1

BJ 1
BJ 2
BA 1
BA 2
BD 2
BD 4

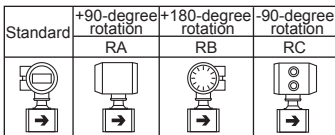


Unit: mm (approx. inch)



Process Connection	BJ1 (JIS10K)			BJ2 (JIS20K)			BA1 (ANSI Class 150)			BA2 (ANSI Class 300)			BD4 (DIN PN40)		BD2 (DIN PN16)			
Size code	040	050	065	040	050	065	040	050	065	040	050	065	040	050	065	040	050	065
Size	40 (1.5)	50 (2)	65 (2.5)	40 (1.5)	50 (2)	65 (2.5)	40 (1.5)	50 (2)	65 (2.5)	40 (1.5)	50 (2)	65 (2.5)	40 (1.5)	50 (2)	65 (2.5)	40 (1.5)	50 (2)	65 (2.5)
Lining code	A	A	A	A	A	A	A	A	A	A	A	A	A	A	A	A	A	A
Face-to-face length	L ³ *2	200 (7.87)	200 (7.87)	200 (7.87)	200 (7.87)	200 (7.87)	200 (7.87)	200 (7.87)	200 (7.87)	200 (7.87)	200 (7.87)	200 (7.87)	200 (7.87)	200 (7.87)	200 (7.87)	200 (7.87)	200 (7.87)	200 (7.87)
Outside dia.	øD	140 (5.51)	155 (6.10)	175 (6.89)	140 (5.51)	155 (6.10)	175 (6.89)	127.0 (5.00)	152.4 (6.00)	177.8 (7.00)	155.4 (6.12)	165.1 (6.50)	190.5 (7.50)	150 (5.91)	165 (6.50)	185 (7.28)	165 (6.50)	185 (7.28)
Thickness	t*2	20 (0.79)	20 (0.79)	22 (0.87)	22 (0.87)	22 (0.87)	24 (0.94)	21.5 (0.85)	23.1 (0.91)	26.4 (1.04)	24.6 (0.97)	26.4 (1.04)	29.4 (1.16)	22 (0.87)	24 (0.94)	22 (0.87)	24 (0.94)	22 (0.87)
Inter diameter of Grounding ring	ød	41 (1.61)	53 (2.09)	66 (2.60)	41 (1.61)	53 (2.09)	66 (2.60)	41 (1.61)	53 (2.09)	66 (2.60)	41 (1.61)	53 (2.09)	66 (2.60)	41 (1.61)	53 (2.09)	66 (2.60)	41 (1.61)	53 (2.09)
Pitch circle dia.	øC	105 (4.13)	120 (4.72)	140 (5.51)	105 (4.13)	120 (4.72)	140 (5.51)	98.6 (3.88)	120.7 (4.75)	139.7 (5.50)	114.3 (4.50)	127.0 (5.00)	149.4 (5.88)	110 (4.33)	125 (4.92)	145 (5.71)	125 (4.92)	145 (5.71)
Bolt hole interval	θ°	45	45	45	45	22.5	22.5	45	45	45	45	22.5	22.5	45	45	45	45	45
Hole dia.	øh	19 (0.75)	19 (0.75)	19 (0.75)	19 (0.75)	19 (0.75)	19 (0.75)	15.7 (0.62)	19.1 (0.75)	19.1 (0.75)	22.4 (0.88)	19.1 (0.75)	22.4 (0.88)	18 (0.71)	18 (0.71)	18 (0.71)	18 (0.71)	18 (0.71)
Number of holes	N	4	4	4	4	8	8	4	4	4	4	8	8	4	4	4	4	4
Height	H1	138 (5.43)	157 (6.16)	176 (6.93)	138 (5.43)	157 (6.16)	176 (6.93)	131 (5.17)	155 (6.11)	177 (6.97)	146 (5.73)	162 (6.36)	184 (7.24)	143 (5.63)	162 (6.36)	181 (7.13)	162 (6.36)	181 (7.13)
Height	H2	68 (2.67)	79 (3.11)	89 (3.50)	68 (2.67)	79 (3.11)	89 (3.50)	68 (2.67)	79 (3.11)	89 (3.50)	68 (2.67)	79 (3.11)	89 (3.50)	68 (2.67)	79 (3.11)	89 (3.50)	68 (2.67)	79 (3.11)
Max. Height	Hi	299 (11.79)	318 (12.52)	338 (13.31)	299 (11.79)	318 (12.52)	338 (13.31)	293 (11.53)	317 (12.47)	339 (13.35)	339 (13.35)	323 (12.72)	346 (13.62)	304 (11.98)	323 (12.72)	343 (13.50)	323 (12.72)	343 (13.50)
Weight kg (lb)		7.5 (16.5)	8.7 (19.2)	11.0 (24.2)	8.0 (17.6)	8.9 (19.6)	11.3 (24.9)	7.2 (15.8)	9.3 (20.5)	12.8 (28.2)	9.6 (21.1)	10.9 (24.0)	14.6 (32.2)	8.7 (19.1)	10.6 (23.4)	11.8 (26.0)	10.6 (23.4)	11.8 (26.0)

* When option code RA, RB, or RC is selected, the direction of electrical connection change as below.



*1: When indicator code N is selected, subtract 5 mm (0.2 inch) from the value in the figure.

*2: Depending on the selection of grounding ring code and optional code, add the following value to "L" (face-to-face length) and "t" (thickness of flange).

Grounding Ring Code	L		t		L		t	
	S, L, H	P, T	N					
Optional Code	None	+0	+0	+26 (1.02)	+13 (0.51)	-2 (0.08)	-1 (0.04)	
	GA, GC, GD (Special Gaskets)	+8 (0.31)	+4 (0.16)	+30 (1.18)	+15 (0.59)	—	—	

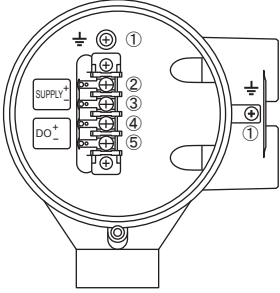
Unless otherwise specified, difference in the dimensions are specified as : General tolerance = ± (Criteria of tolerance class IT18 in JIS B0401) / 2

General-purpose Use/Explosion Proof Type except TIIS

/TIIS Explosion Proof Type (Style:S1):

Terminal configuration

Terminal wiring

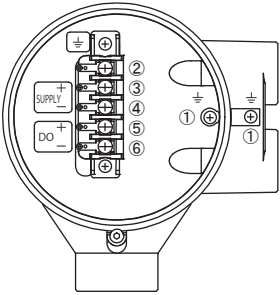


No.	Terminal Symbols	Description
①		Functional grounding
② ③	SUPPLY+ SUPPLY-	Power supply and current output
④ ⑤	DO+ DO-	Digital output (One output can be selected from pulse, alarm or status outputs.)

TIIS Explosion Proof Type (Style:S2):

Terminal configuration

Terminal wiring



No.	Terminal Symbols	Description
①		Functional grounding
②		Class A grounding
③ ④	SUPPLY+ SUPPLY-	Power supply and current output
⑤ ⑥	DO+ DO-	Digital output (One output can be selected from pulse, alarm or status outputs.)