

ISA100 Wireless gateway optimized for a small system

# Gateway Module

FN110 (Modbus Communication for PLC/RTU)

## Palm-sized ISA100 Wireless gateway

### Features

- Optimized for a small system
- Reduce system configuration steps
- Provide a host system with ISA100 Wireless functions via serial communication



Shown in actual size

### Challenges and benefits

#### Challenges

- Want to try a wireless system but wireless systems in the market are over performance
- Setting up a wireless network requires expertise and time



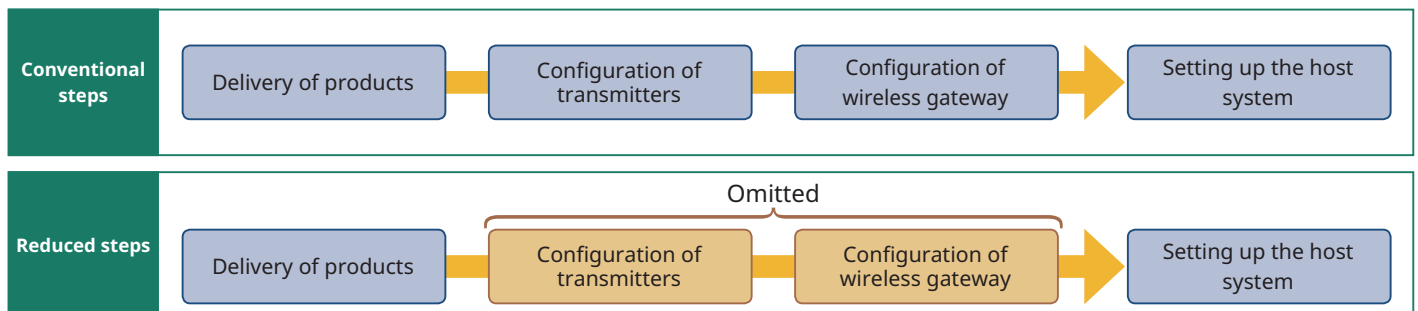
#### Benefits

- Reduce system configuration steps
- Make launching a wireless system easier

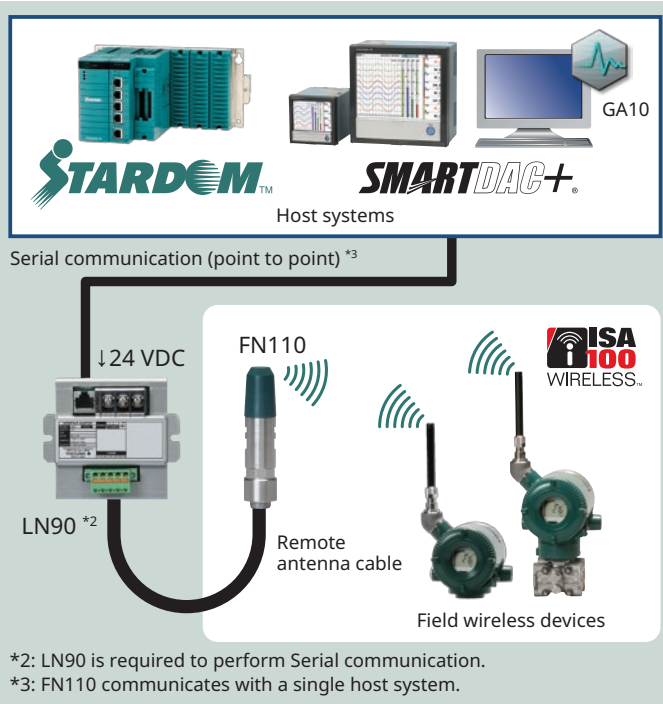
### Shortening setting up time

Using the gateway module with Yokogawa transmitters allows omitting part of the configuration of the transmitters\*1 and ISA100 Wireless gateway, reducing start-up time.

\*1: Specify Tag Name and Network ID in Ordering Information when ordering



## System configuration



## FN110 (Modbus Communication for PLC/RTU) specifications

<b>Network Topology</b>	Star
<b>Field Wireless Subnet</b>	1 subnet
<b>Field Wireless Device</b>	Max. 20 devices (update rate: 2 to 3600 s) Max. 10 devices (update rate: 1 s)
<b>Serial Communication</b>	Mode : Half-duplex communication (RS-485) Speed : Max. 38400 bps Distance : Max. 20 m (dedicated cable)
<b>Ambient Temperature Limits</b>	Operating: -40 to 85°C (-40 to 185°F)
<b>Degree of Protection</b>	IP66, IP67, and Type 4X

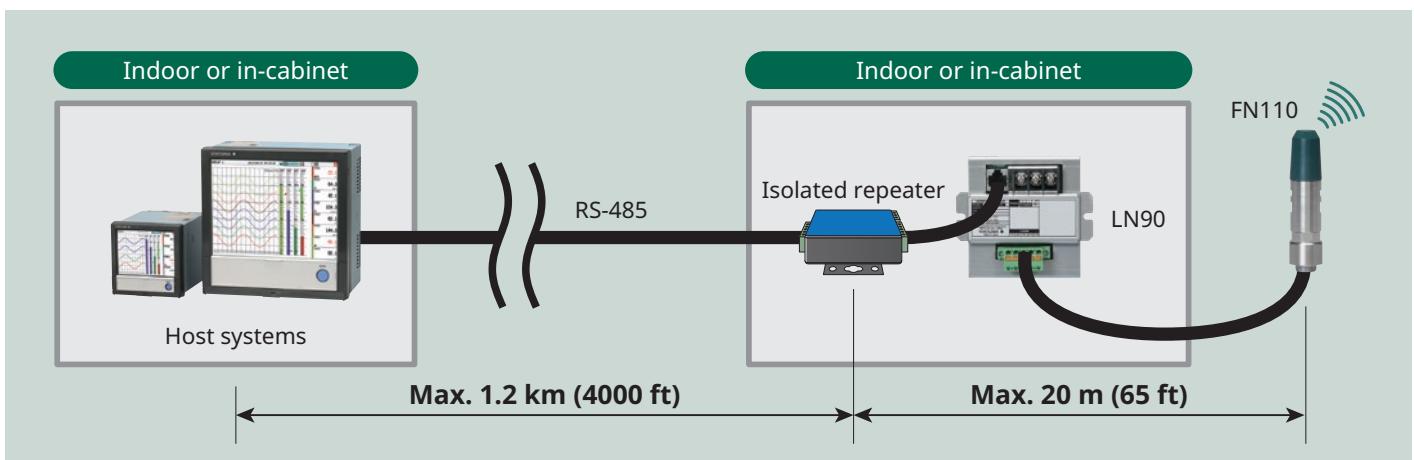
## LN90 specifications

<b>Communication Mode</b>	Half-duplex communication (RS-485)
<b>Communication Speed</b>	Max. 38400 bps
<b>Ambient Temperature Limits</b>	Operating: -40 to 70°C (-40 to 158°F)
<b>Input Voltage Range</b>	10 to 30 VDC

## Application example

Adding an isolated repeater between a host system and LN90 extends serial communication distance up to 1.2 km (4000 ft)\*4.

\*4: Result obtained with GX10/20 as a host system and MOXA TCC-120/120i as an isolated repeater.  
Your result may vary depending on hardware and environmental factors



STARDOM, SMARTDAQ+, Co-innovating tomorrow are either trademarks or registered trademarks of Yokogawa Electric Corporation.  
All other company brand or product names in this bulletin are trademarks or registered trademarks of their respective holders.

### YOKOGAWA ELECTRIC CORPORATION

World Headquarters  
9-32, Nakacho 2-chome, Musashino-shi, Tokyo 180-8750, JAPAN

<http://www.yokogawa.com/>

YOKOGAWA CORPORATION OF AMERICA  
YOKOGAWA EUROPE B.V.  
YOKOGAWA ENGINEERING ASIA PTE. LTD.  
YOKOGAWA CHINA CO., LTD.  
YOKOGAWA MIDDLE EAST & AFRICA B.S.C.(c)

<http://www.yokogawa.com/us/>  
<http://www.yokogawa.com/eu/>  
<http://www.yokogawa.com/sg/>  
<http://www.yokogawa.com/cn/>  
<http://www.yokogawa.com/bh/>

Represented by:

Subject to change without notice.

[Ed:01/b]

Printed in Japan, 803(KP)

All Rights Reserved, Copyright © 2018, Yokogawa Electric Corporation.