

# Drawings

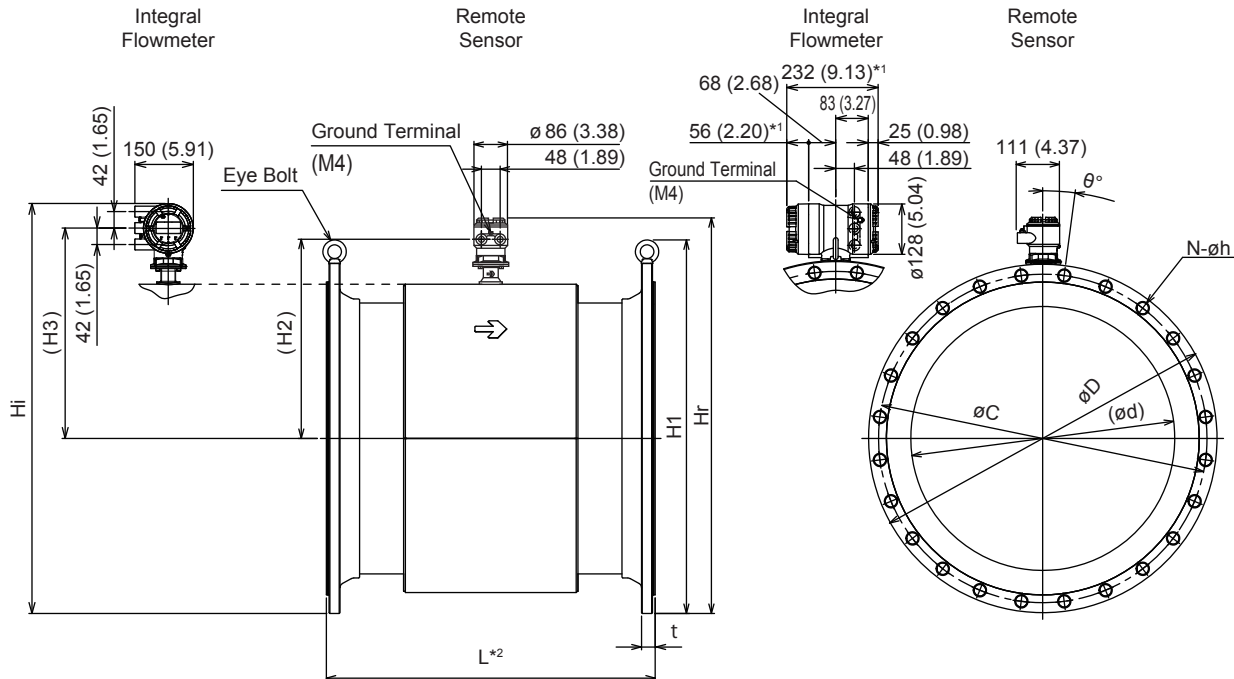
ADMAG TI Series  
 AXW Magnetic Flowmeter  
 [Size: 500 to 1000 mm (20 to 40 in.)]  
 Flange JIS F12 (Process Connection Code CG1)



SD 01E25D11-09EN

[Style: S2]

Unit: mm (approx. in.)



\*1: This length becomes 21 mm (0.83 in.) shorter when indicator code N is selected.

F01.ai

\*2: The thickness of optional grounding rings (4mm per one) and customer supplied gaskets are not included in "L" here.

	Direction of Cable Entry			
	Standard (0°)	+90° rotation Optional Code RA	+180° rotation Optional Code RB	-90° rotation Optional Code RC
Integral Flowmeter				
Remote Sensor				

\* The direction of cable entry changes as shown left depending on the designation of the optional code RA, RB, or RC.

Unless otherwise specified, difference in the dimensions are specified as : General tolerance = ± (Criteria of tolerance class IT18 in JIS B0401-1) / 2

**Model code:**AXW  -  - CG1N - 

Unit: mm (approx. in.)

Process Connection Code		CG1					
Flange Type		JIS G3443-2 F12					
Size Code		500	600	700	800	900	10L
Size		500 (20)	600 (24)	700 (28)	800 (32)	900 (36)	1000 (40)
Lining Code		U					
Lay Length L		600 (23.62)	720 (28.35)	840 (33.07)	960 (37.80)	1080 (42.52)	1200 (47.24)
Flange Outer Diameter $\phi$ D		706 (27.80)	810 (31.89)	928 (36.54)	1034 (40.71)	1156 (45.51)	1262 (49.69)
Flange Thickness (*1) (incl. lining flare)	Lining U	34 (1.34)	36 (1.42)	38 (1.50)	40 (1.57)	42 (1.65)	44 (1.73)
Bolt Circle Diameter $\phi$ C		639 (25.16)	743 (29.25)	854 (33.62)	960 (37.80)	1073 (42.24)	1179 (46.42)
Inner Diameter $\phi$ d	Lining U	469 (18.46)	570 (22.44)	667 (26.26)	769 (30.28)	870 (34.25)	968 (38.11)
Bolt Hole Pitch Half Angle $\theta$		15°	11.3°	11.3°	9°	9°	7.5°
Bolt Hole Diameter $\phi$ h		27 (1.06)	27 (1.06)	33 (1.30)	33 (1.30)	33 (1.30)	33 (1.30)
Number of Bolt Holes N		12	16	16	20	20	24
Height H1		766 (30.16)	870 (34.25)	988 (38.90)	1105 (43.50)	1227 (48.31)	1352 (53.23)
Height H3		401 (15.80)	452 (17.80)	501 (19.73)	552 (21.74)	604 (23.77)	655 (25.78)
Height Hi		808 (31.80)	911 (35.85)	1019 (40.11)	1123 (44.20)	1235 (48.63)	1339 (52.72)
Inner Diameter of Eye Bolt		35 (1.38)	35 (1.38)	35 (1.38)	40 (1.57)	40 (1.57)	50 (1.97)
Remote Sensor, Approx. Weight, Unit: kg (lb) (*2)		168 (370)	228 (503)	319 (703)	404 (891)	540 (1190)	703 (1550)
Integral Flowmeter, Height H3		438 (17.24)	489 (19.26)	538 (21.20)	590 (23.21)	641 (25.24)	692 (27.25)
Integral Flowmeter, Maximum Height Hi		854 (33.62)	957 (37.69)	1065 (41.94)	1170 (46.04)	1282 (50.48)	1386 (54.57)
Integral Flowmeter, Approx. Weight, Unit: kg (lb)		171 (377)	231 (509)	322 (710)	407 (897)	543 (1197)	706 (1556)

\*1: The tolerance of the flange thickness "t" is as follows.

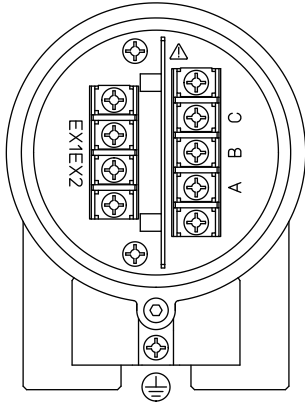
- Size 500 to 1000 mm (20 to 40 in.): +3/-0 mm (+0.12/-0 in.)

\*2: When submersible type or optional code DHC is selected, waterproof glands with union joints and cables are attached. When the cable length is 30-meters, add 9.5 kg (20.9 lb) to the weight in the table.

### Terminal Configuration and Wiring

#### Remote Sensor:

<To be wired to Remote Transmitter>



Terminal Symbol	Description
A B C	Flow Signal Output
EX1 EX2	Excitation Current Input
	Protective Grounding (Outside of the terminal box)

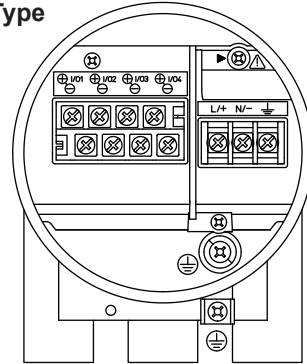
F02.ai

Note: When submersible use or optional code DHC is selected, waterproof glands with union joints and cables are attached.

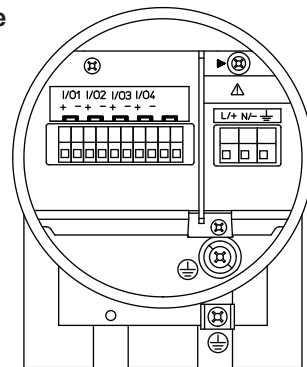
#### Integral Flowmeter:

<To be wired to Power Supply and I/Os>

#### M4 Screw Type



#### Clamp Type



Terminal Symbol	Description
	Shorting Screw (Need to be fixed for normal operation)
	Functional Grounding
N/ L/+	Power Supply
I/O4 - I/O4 + I/O3 - I/O3 + I/O2 - I/O2 + I/O1 - I/O1 +	Selected Input/Output
	Protective Grounding (Inside and outside of the terminal box)

F03.ai



**Model code:**AXW  -  - CG1N - 

Unit: mm (approx. in.)

Process Connection Code		CG1					
Flange Type		JIS G3443-2 F12					
Size Code		500	600	700	800	900	10L
Size		500 (20)	600 (24)	700 (28)	800 (32)	900 (36)	1000 (40)
Lining Code		U					
Lay Length L		600 (23.62)	720 (28.35)	840 (33.07)	960 (37.80)	1080 (42.52)	1200 (47.24)
Flange Outer Diameter $\phi$ D		706 (27.80)	810 (31.89)	928 (36.54)	1034 (40.71)	1156 (45.51)	1262 (49.69)
Flange Thickness (*1) (incl. lining flare)	Lining U	34 (1.34)	36 (1.42)	38 (1.50)	40 (1.57)	42 (1.65)	44 (1.73)
Bolt Circle Diameter $\phi$ C		639 (25.16)	743 (29.25)	854 (33.62)	960 (37.80)	1073 (42.24)	1179 (46.42)
Inner Diameter $\phi$ d	Lining U	469 (18.46)	570 (22.44)	667 (26.26)	769 (30.28)	870 (34.25)	968 (38.11)
Bolt Hole Pitch Half Angle $\theta$		15°	11.3°	11.3°	9°	9°	7.5°
Bolt Hole Diameter $\phi$ h		27 (1.06)	27 (1.06)	33 (1.30)	33 (1.30)	33 (1.30)	33 (1.30)
Number of Bolt Holes N		12	16	16	20	20	24
Height H1		766 (30.16)	870 (34.25)	988 (38.90)	1105 (43.50)	1227 (48.31)	1352 (53.23)
Remote Sensor, Height H2		408 (16.06)	459 (18.07)	509 (20.04)	560 (22.05)	611 (24.06)	662 (26.06)
Remote Sensor, Maximum Height Hr		816 (32.13)	919 (36.18)	1028 (40.47)	1132 (44.57)	1245 (49.02)	1349 (53.11)
Inner Diameter of Eye Bolt		35 (1.38)	35 (1.38)	35 (1.38)	40 (1.57)	40 (1.57)	50 (1.97)
Remote Sensor, Approx. Weight, Unit: kg (lb) (*2)		168 (370)	228 (503)	319 (703)	404 (891)	540 (1190)	703 (1550)
Integral Flowmeter, Height H3		438 (17.24)	489 (19.26)	538 (21.20)	590 (23.21)	641 (25.24)	692 (27.25)
Integral Flowmeter, Maximum Height Hi		854 (33.62)	957 (37.69)	1065 (41.94)	1170 (46.04)	1282 (50.48)	1386 (54.57)
Integral Flowmeter, Approx. Weight, Unit: kg (lb)		171 (377)	231 (509)	322 (710)	407 (897)	543 (1197)	706 (1556)

\*1: The tolerance of the flange thickness "t" is as follows.

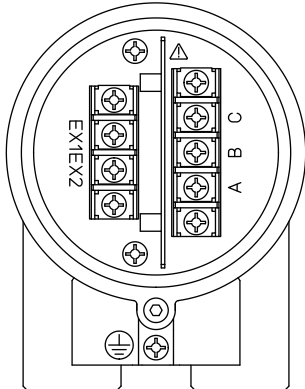
- Size 500 to 1000 mm (20 to 40 in.): +3/-0 mm (+0.12/-0 in.)

\*2: When submersible type or optional code DHC is selected, waterproof glands with union joints and cables are attached. When the cable length is 30-meters, add 9.5 kg (20.9 lb) to the weight in the table.

### Terminal Configuration and Wiring

#### Remote Sensor:

<To be wired to Remote Transmitter>



Terminal Symbol	Description
A B C	Flow Signal Output
EX1 EX2	Excitation Current Input
⊕	Protective Grounding (Outside of the terminal box)

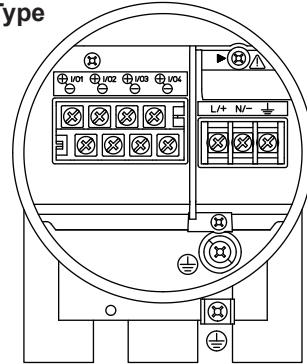
F05.ai

Note: When submersible use or optional code DHC is selected, waterproof glands with union joints and cables are attached.

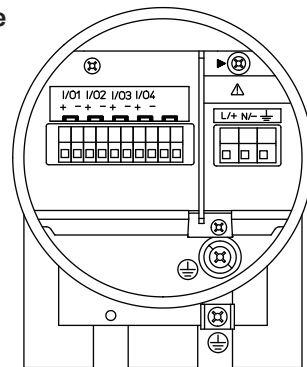
#### Integral Flowmeter:

<To be wired to Power Supply and I/Os>

#### M4 Screw Type



#### Clamp Type



Terminal Symbol	Description
▶	Shorting Screw (Need to be fixed for normal operation)
⊕	Functional Grounding
N/- L/+	Power Supply
I/O4 - I/O4 + I/O3 - I/O3 + I/O2 - I/O2 + I/O1 - I/O1 +	Selected Input/Output  Pulse/Status Output 1  Current Output 1
⊕	Protective Grounding (Inside and outside of the terminal box)

F06.ai