

# Drawings

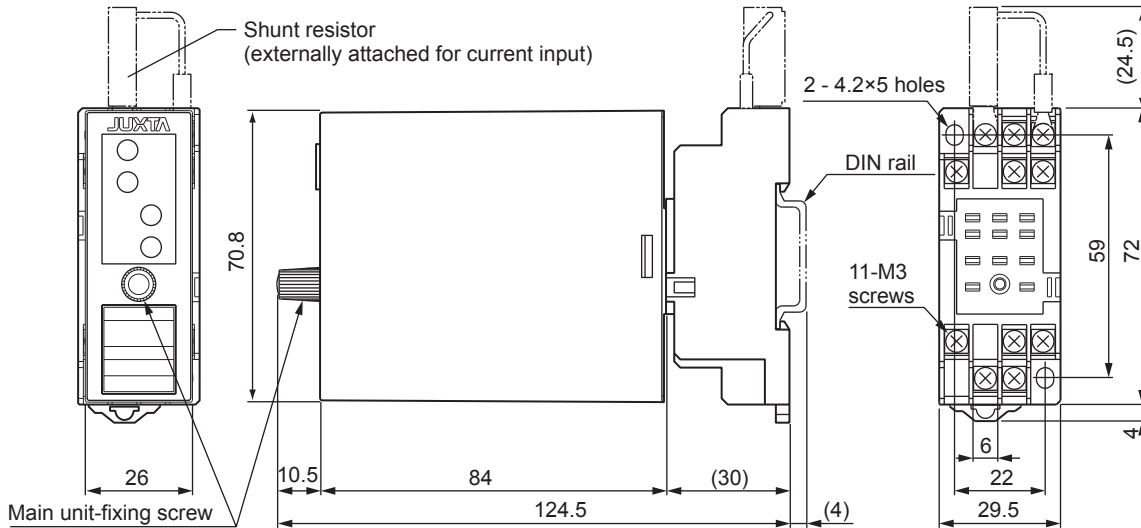
Model VJHF  
 Isolator (Super Speed Response Type)  
 (Isolated Single-output and  
 Isolated Dual-output Types)

**JUXTA**

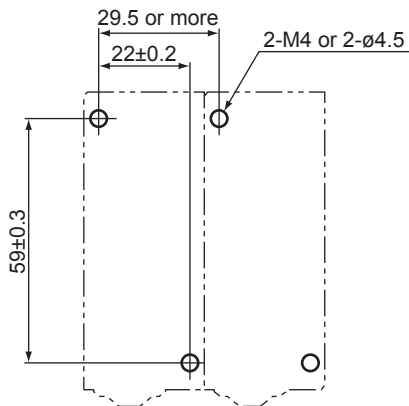
SD 77J01H11-01E

Unit: mm

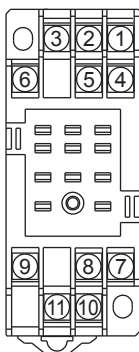
## External Dimensions



## Mounting Dimensions



## Terminal Assignments



|    |            |      |
|----|------------|------|
| 1  | INPUT      | (+)  |
| 2  | OUTPUT-2   | (+)  |
| 3  | INPUT      | (-)  |
| 4  | Do not use |      |
| 5  | OUTPUT-2   | (-)  |
| 6  | Do not use |      |
| 7  | OUTPUT-1   | (+)  |
| 8  | GND        |      |
| 9  | OUTPUT-1   | (-)  |
| 10 | SUPPLY     | (L+) |
| 11 | SUPPLY     | (N-) |

Note: Do not use output-2 for the single-output type.