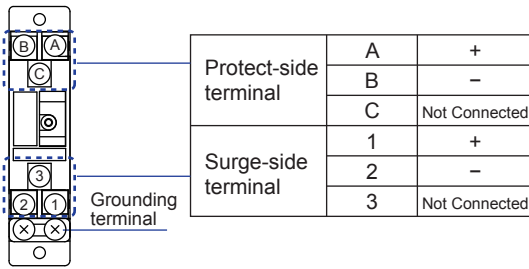




### 1.3 Terminal Arrangement



### 1.4 Wiring



#### NOTE

Use of arresters ignoring the specifications may cause electric shock, overheating or damage.

1. Input signal value applied to the arrester should meet the required specifications.
2. The external wiring to the terminals and wiring to ground are as specifications.

Flexible twisted wire and durable round crimp-on terminal (JIS C 2805) are recommended to use.

(1) Signal cable

Nominal cross-sectional area of conductor: 0.5 to 0.75 mm<sup>2</sup>.  
Example of suitable cable: Vinyl code (VJF) (JIS C 3306) for electronic instrument.

(2) Grounding cables

Nominal cross-sectional area of conductor: 2.0 mm<sup>2</sup> or more for grounding.  
Example of suitable cable: 600V vinyl insulated cable (IV) (JIS C 3307), Vinyl insulated cable (KIV) (JIS C 3316) for electronic instrument

### 1.5 Grounding

Interconnect the ground terminals of the arrester and the instrument to be protected. Touch ground from the arrester side as shown in the figure below. Install the arrester and instrument as close as possible, and make the cable as short as possible. The wires for interconnect grounding should have lower effective resistance than ground resistance.

- Make sure to earth ground the ground terminal through minimum resistance.
- The grounding method must comply with the grounding system defined by rules and standards of the country or the region.

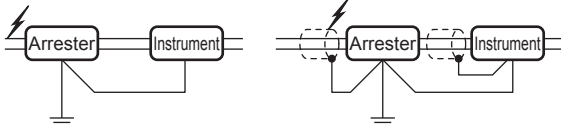
It also should meet the grounding requirements of the instrument to be protected.



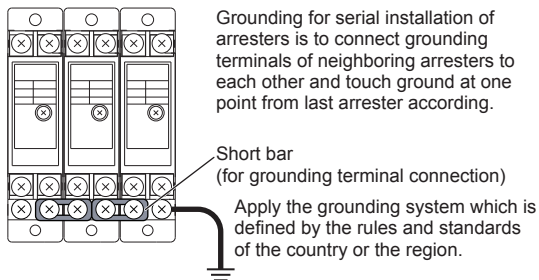
#### NOTE

Wire tightening torque for arrester should not be 1.2 N·m or more.

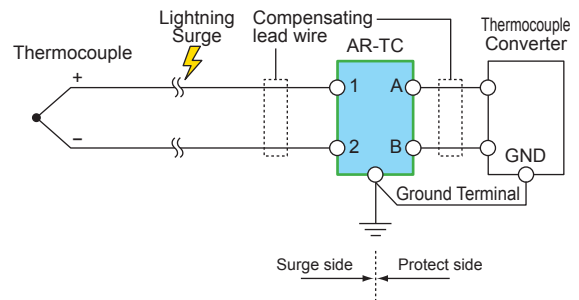
(1) Interconnect Grounding (2) Interconnect Grounding (when using shield line)



Make sure to earth ground the ground terminal through minimum resistance.



## 2. CONNECTION OF ARRESTERS WITH INSTRUMENTS TO BE PROTECTED



## 3. ENVIRONMENTAL CONDITIONS

Ambient temperature: -10 to +60°C  
Relative humidity: 5 to 90% RH (No condensation)  
Altitude at installation site: Max. 2000 m above sea level  
Installation category based on IEC/EN61010-1: II, pollution degree: 2 (see Note.)



#### NOTE

The "Installation Category" implies the regulation for impulse withstand voltage. It is also called the "Overvoltage category". "II" applies to electrical equipment. "Pollution level" describes the degree to which a solid, liquid or gas which deteriorates dielectric strength is adhering. "2" applies to a normal indoor atmosphere.

## 4. MAINTENANCE

### 4.1 Arrester Checking

The arrester main body and terminal base are connected by plug-in. Circuit between surge side and protect side would not be open even if the main body is removed from the socket on terminal base by loosening main unit-fixing screw. To check the arrester performance, remove the main body from the socket and check it by using the AR2-CK (arrester checker: option). If the arrester cannot be used because the main body is deteriorated or broken, be sure to replace both the main body and the terminal block. The terminal block may be damaged by receiving surges. The replacement of only the main body may fail to meet its protection performance level.

### 4.2 Arrester check period

To protect the instrument from damage by induced lightning, the arrester should be checked periodically at least once a year. In areas where lightning occurs frequently, check should be done more often particularly after thunderstorms.

## 5. HARDWARE SPECIFICATION

Use		Thermocouple (mV signal line)
* Maximum continuous operating voltage (Uc)	Between lines	8 V DC
	Between ground	50 V DC
Permissible current leakage	Between lines	2 μA or less (at 8 V DC)
	Between ground	10 μA or less (at 50 V DC)
Instrument side voltage limit (10 kV, 1.2/50 μA)	Between lines	30 V or less
	Between ground	250 V or less
* Voltage protection level (Up)	Between lines	150 V or less
	Between ground	350 V or less
* Impulse durability (8/20 μA)	Category C1	500 A
	Category C2	5000 A
Discharge starting voltage	Between lines	20 V DC or more
	Between ground	74 V DC or more
* Rated current		2 A DC
JIS compliant	JIS C 5381-21 (Category: C1, C2)	

\*: Description compliant with JIS C 5381-21.